

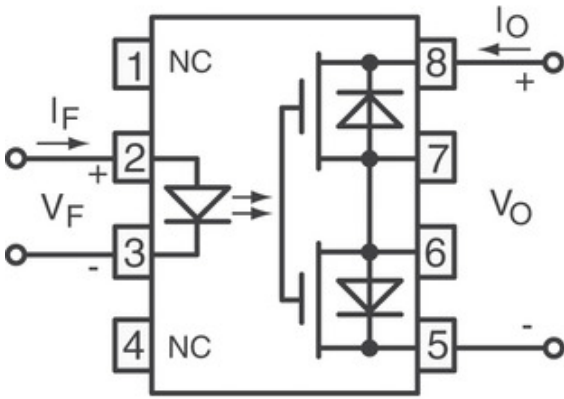


Avago Technologies (Broadcom Limited)

HSSR-7110#300

Part Number:	HSSR-7110#300
Manufacturer/Brand:	Avago Technologies (Broadcom Limited)
Product description:	OPTOISO 1.5KV PWR MOSFET 8SMD GW
Datasheets:	HSSR-7110#300.pdf
RoHS Status:	Contains lead / RoHS non-compliant
Stock Condition:	973 pcs stock
Ship From:	Hong Kong
Shipment Way:	DHL/Fedex/TNT/UPS/EMS

Limited)



REQUEST FOR QUOTATION

Image may be representation. See specifications for product details.

Specifications of HSSR-7110#300

PART NUMBER	HSSR-7110#300
MANUFACTURER	Avago Technologies (Broadcom Limited)
DESCRIPTION	OPTOISO 1.5KV PWR MOSFET 8SMD GW
LEAD FREE STATUS / ROHS STATUS	Contains lead / RoHS non-compliant
QUANTITY AVAILABLE	973 pcs
DATA SHEET	HSSR-7110#300.pdf
VOLTAGE - SUPPLY	-
VOLTAGE - ISOLATION	1500VDC
VOLTAGE - FORWARD (VF) (TYP)	1.24V
TYPE	Power MOSFET
SUPPLIER DEVICE PACKAGE	8-SMD Gull Wing
SERIES	-
RISE / FALL TIME (TYP)	-
PROPAGATION DELAY TPLH / TPHL (MAX)	6ms, 0.25ms
PACKAGING	Tube
PACKAGE / CASE	8-SMD, Gull Wing
OTHER NAMES	516-1944-5 HSSR-7110#300-ND HSSR7110300
OPERATING TEMPERATURE	-55°C ~ 125°C
NUMBER OF CHANNELS	1
MOUNTING TYPE	Surface Mount
MOISTURE SENSITIVITY LEVEL (MSL)	1 (Unlimited)
LEAD FREE STATUS / ROHS STATUS	Contains lead / RoHS non-compliant
INPUT TYPE	DC
DETAILED DESCRIPTION	Optoisolator Power MOSFET 1500VDC 1 Channel 8-SMD Gull Wing
CURRENT - OUTPUT / CHANNEL	1.6A
CURRENT - DC FORWARD (IF) (MAX)	20mA
COMMON MODE TRANSIENT IMMUNITY (MIN)	-
APPROVALS	-

Related Tags

Avago Technologies (Broadcom Limited) HSSR-7110#300	HSSR-7110#300 Distributor	HSSR-7110#300 Supplier
HSSR-7110#300 Price	HSSR-7110#300 Pictures	HSSR-7110#300 Image
HSSR-7110#300 PDF Datasheet	HSSR-7110#300 Download Datasheet	HSSR-7110#300 Datasheet
HSSR-7110#300 Stock	Buy HSSR-7110#300	Buy Avago Technologies (Broadcom Limited) HSSR-7110#300
Avago Technologies (Broadcom Limited) HSSR-7110#300	Avago Technologies (Broadcom Limited) Supplier	Avago Technologies (Broadcom Limited) Distributor
Avago Technologies (Broadcom Limited) HSSR-7110#300	Avago Technologies Limited HSSR-7110#300	Avago Technologies US Inc. HSSR-7110#300
Avago Technologies HSSR-7110#300	Avago Technologies (Broadcom Limited) HSSR-7110#300	Broadcom Limited HSSR-7110#300

Related Products

<p>HSSR-7111#100 Manufacturers: Avago Technologies (Broadcom Limited) Description: OPTOISO 1.5KV POWER MOSFET 8SMD In stock: 989 pcs RFQ</p>	<p>HSSR-7111#300 Manufacturers: Avago Technologies (Broadcom Limited) Description: OPTOISO 1.5KV PWR MOSFET 8SMD GW In stock: 1017 pcs RFQ</p>
<p>HSSR-7111#600 Manufacturers: Avago Technologies (Broadcom Limited) Description: OPTOISO 1.5KV POWER MOSFET 8SMD In stock: 1007 pcs RFQ</p>	<p>HSSLS-CALCL-019 Manufacturers: Aavid Thermalloy Description: ROUND HEAT SINK DOWNLIGHT MODULE In stock: 8741 pcs RFQ</p>
<p>HSSR-7110#100 Manufacturers: Avago Technologies (Broadcom Limited) Description: OPTOISO 1.5KV POWER MOSFET 8SMD In stock: 1316 pcs RFQ</p>	<p>HSSR-7110 Manufacturers: Avago Technologies (Broadcom Limited) Description: OPTOISO 1.5KV POWER MOSFET 8DIP In stock: 1349 pcs RFQ</p>
<p>HSSR-7110#200 Manufacturers: Avago Technologies (Broadcom Limited) Description: OPTOISO 1.5KV POWER MOSFET 8DIP In stock: 1217 pcs RFQ</p>	<p>HSSLS-CALCL-021 Manufacturers: Aavid Thermalloy Description: ROUND HEAT SINK DOWNLIGHT MODULE In stock: 9647 pcs RFQ</p>
<p>HSSR-7111 Manufacturers: Avago Technologies (Broadcom Limited) Description: OPTOISO 1.5KV POWER MOSFET 8DIP In stock: 940 pcs RFQ</p>	<p>HSSR-7111#200 Manufacturers: Avago Technologies (Broadcom Limited) Description: OPTOISO 1.5KV POWER MOSFET 8DIP In stock: 1163 pcs RFQ</p>
<p>HSSR-7110#600 Manufacturers: Avago Technologies (Broadcom Limited) Description: OPTOISO 1.5KV POWER MOSFET 8SMD In stock: 1224 pcs RFQ</p>	<p>HSSLS-CALCL-020 Manufacturers: Aavid Thermalloy Description: ROUND HEAT SINK DOWNLIGHT MODULE In stock: 6538 pcs RFQ</p>

