

Agastat Relays / TE Connectivity

OAC-5A

Part Number: [OAC-5A](#)
 Manufacturer/Brand: [Agastat Relays / TE Connectivity](#)
 Product description: [AC OUTPUT MODULE 3A](#)
 Datasheets: [PDF OAC-5A.pdf](#)
 RoHS Status: Lead free / RoHS Compliant
 Stock Condition: 4645 pcs stock
 Ship From: Hong Kong
 Shipment Way: DHL/Fedex/TNT/UPS/EMS

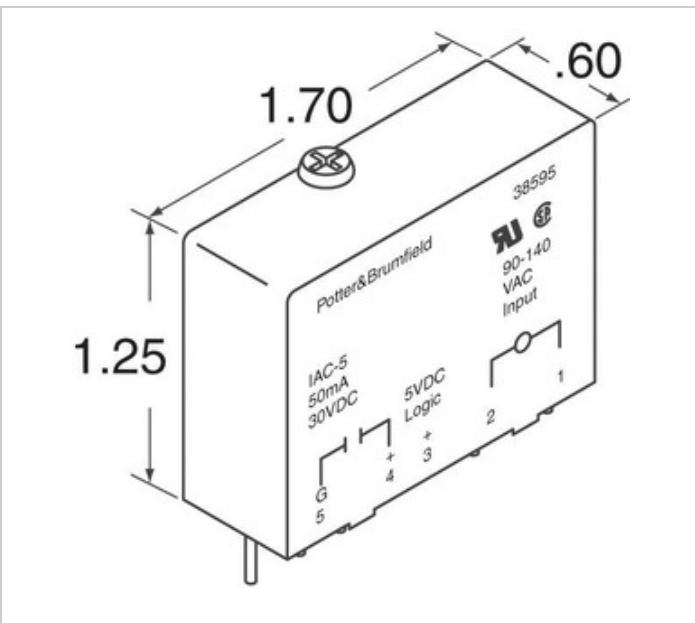


Image may be representation. See specifications for product details.

REQUEST FOR QUOTATION

Specifications of OAC-5A

PART NUMBER	OAC-5A
MANUFACTURER	Agastat Relays / TE Connectivity
DESCRIPTION	AC OUTPUT MODULE 3A
LEAD FREE STATUS / ROHS STATUS	Lead free / RoHS Compliant
QUANTITY AVAILABLE	4645 pcs
DATA SHEET	PDF OAC-5A.pdf
VOLTAGE - OUTPUT	24 ~ 280VAC
VOLTAGE - INPUT	5VDC
TYPE	AC Output Module
TURN ON TIME	8.33ms
TURN OFF TIME	8.33ms
STYLE	Standard
SERIES	OAC
OTHER NAMES	2-1393028-8 PB698
LEAD FREE STATUS / ROHS STATUS	Lead free / RoHS Compliant
FEATURES	Hold Down Screw
DETAILED DESCRIPTION	AC Output Module Output Module 3A 24 ~ 280VAC Output 5VDC Supply
CURRENT - OUTPUT	3A
CURRENT - INPUT	20mA
COLOR	Black

Related Tags

Agastat Relays / TE Connectivity OAC-5A	OAC-5A Distributor	OAC-5A Supplier
OAC-5A Price	OAC-5A Pictures	OAC-5A Image
OAC-5A PDF Datasheet	OAC-5A Download Datasheet	OAC-5A Datasheet
OAC-5A Stock	Buy OAC-5A	Buy Agastat Relays / TE Connectivity OAC-5A
Agastat Relays / TE Connectivity OAC-5A	Agastat Relays / TE Connectivity Supplier	Agastat Relays / TE Connectivity Distributor
Agastat Relays / TE Connectivity OAC-5A	Axicom Relays / TE Connectivity OAC-5A	Buchanan Terminal Blocks / TE Connectivity OAC-5A
CGS Resistors / TE Connectivity OAC-5A	CII / TE Connectivity OAC-5A	Elcon Connectors / TE Connectivity OAC-5A
Holsworthy Resistors / TE Connectivity OAC-5A	Kilovac Relays / TE Connectivity OAC-5A	Neohm Resistors / TE Connectivity OAC-5A
OEG Relays / TE Connectivity OAC-5A	Products Unlimited Transformers & Relays / TE Conn OAC-5A	Q-Cee's / TE Connectivity OAC-5A
Schrack Relays / TE Connectivity OAC-5A	Sigma Inductors / TE Connectivity OAC-5A	TE Connectivity's Agastat Relays OAC-5A
TE Connectivity's Axicom Relays OAC-5A	TE Connectivity's Buchanan Terminal Blocks OAC-5A	TE Connectivity's CGS Resistors OAC-5A
TE Connectivity's CII OAC-5A	TE Connectivity's Elcon Connectors OAC-5A	TE Connectivity's Holsworthy Resistors OAC-5A
TE Connectivity's Neohm Resistors OAC-5A	TE Connectivity's OEG Relays OAC-5A	TE Connectivity's Q-Cee's OAC-5A
TE Connectivity's Schrack Relays OAC-5A	TE Connectivity's Sigma Inductors OAC-5A	TE Connectivity's Products Unlimited Transformers OAC-5A
TE Connectivity's Kilovac Relays OAC-5A		

Related Products

<p>OAC15 Manufacturers: Crydom Description: AC OUTPUT MODULE 3A In stock: 2489 pcs</p> <p style="text-align: center; background-color: #ccc; padding: 2px 10px;">RFQ</p>	<p>OAC-24 Manufacturers: Agastat Relays / TE Connectivity Description: AC OUTPUT MODULE 3A In stock: 4371 pcs</p> <p style="text-align: center; background-color: #ccc; padding: 2px 10px;">RFQ</p>
<p>OAC-24H Manufacturers: Agastat Relays / TE Connectivity Description: AC OUTPUT MODULE 5A In stock: 5816 pcs</p> <p style="text-align: center; background-color: #ccc; padding: 2px 10px;">RFQ</p>	<p>OAC-5 Manufacturers: Agastat Relays / TE Connectivity Description: AC OUTPUT MODULE 3A In stock: 4639 pcs</p> <p style="text-align: center; background-color: #ccc; padding: 2px 10px;">RFQ</p>
<p>OAC24A Manufacturers: Crydom Description: AC OUTPUT MODULE 3.5A In stock: 3505 pcs</p> <p style="text-align: center; background-color: #ccc; padding: 2px 10px;">RFQ</p>	<p>OAC15A Manufacturers: Crydom Description: AC OUTPUT MODULE 3A In stock: 3683 pcs</p> <p style="text-align: center; background-color: #ccc; padding: 2px 10px;">RFQ</p>
<p>OAC24RN Manufacturers: Crydom Description: AC OUTPUT MODULE 3.5A In stock: 2448 pcs</p> <p style="text-align: center; background-color: #ccc; padding: 2px 10px;">RFQ</p>	<p>OAC-24A Manufacturers: Agastat Relays / TE Connectivity Description: AC OUTPUT MODULE 3A In stock: 8040 pcs</p> <p style="text-align: center; background-color: #ccc; padding: 2px 10px;">RFQ</p>
<p>OAC-5H Manufacturers: Agastat Relays / TE Connectivity Description: AC OUTPUT MODULE 5A In stock: 4073 pcs</p> <p style="text-align: center; background-color: #ccc; padding: 2px 10px;">RFQ</p>	<p>OAC24 Manufacturers: Crydom Description: AC OUTPUT MODULE 3.5A In stock: 2890 pcs</p> <p style="text-align: center; background-color: #ccc; padding: 2px 10px;">RFQ</p>
<p>OAC-15 Manufacturers: Agastat Relays / TE Connectivity Description: AC OUTPUT MODULE 3A In stock: 5767 pcs</p> <p style="text-align: center; background-color: #ccc; padding: 2px 10px;">RFQ</p>	<p>OAC-15A Manufacturers: Agastat Relays / TE Connectivity Description: AC OUTPUT MODULE 3A In stock: 4673 pcs</p> <p style="text-align: center; background-color: #ccc; padding: 2px 10px;">RFQ</p>