

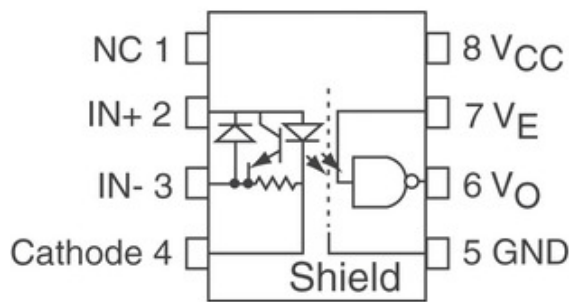


Avago Technologies (Broadcom Limited)

## HCPL-2612-000E

Part Number:	HCPL-2612-000E
Manufacturer/Brand:	Avago Technologies (Broadcom Limited)
Product description:	OPTOISO 3.75KV LINE RX 8DIP
Datasheets:	<a href="#">HCPL-2612-000E.pdf</a>
RoHS Status:	Lead free / RoHS Compliant
Stock Condition:	21151 pcs stock
Ship From:	Hong Kong
Shipment Way:	DHL/Fedex/TNT/UPS/EMS

Limited)



[REQUEST FOR QUOTATION](#)

Image may be representation. See specifications for product details.

### Specifications of HCPL-2612-000E

PART NUMBER	HCPL-2612-000E
MANUFACTURER	Avago Technologies (Broadcom Limited)
DESCRIPTION	OPTOISO 3.75KV LINE RX 8DIP
LEAD FREE STATUS / ROHS STATUS	Lead free / RoHS Compliant
QUANTITY AVAILABLE	21151 pcs
DATA SHEET	<a href="#">HCPL-2612-000E.pdf</a>
VOLTAGE - SUPPLY	4.5 V ~ 5.5 V
VOLTAGE - ISOLATION	3750Vrms
VOLTAGE - FORWARD (VF) (TYP)	2.3V
TYPE	Line Receiver
SUPPLIER DEVICE PACKAGE	8-DIP
SERIES	-
RISE / FALL TIME (TYP)	24ns, 10ns
PROPAGATION DELAY TPLH / TPHL (MAX)	75ns, 75ns
PACKAGING	Tube
PACKAGE / CASE	8-DIP (0.300", 7.62mm)
OTHER NAMES	516-1664-5 HCPL2612000E
OPERATING TEMPERATURE	-40°C ~ 85°C
NUMBER OF CHANNELS	1
MOUNTING TYPE	Through Hole
MOISTURE SENSITIVITY LEVEL (MSL)	1 (Unlimited)
LEAD FREE STATUS / ROHS STATUS	Lead free / RoHS Compliant
INPUT TYPE	AC, DC
DETAILED DESCRIPTION	Optoisolator Line Receiver 3750Vrms 1 Channel 8-DIP
CURRENT - OUTPUT / CHANNEL	50mA
CURRENT - DC FORWARD (IF) (MAX)	60mA
COMMON MODE TRANSIENT IMMUNITY (MIN)	3.5kV/μs
APPROVALS	CSA, UR

### Related Tags

Avago Technologies (Broadcom Limited) HCPL-2612-000E	HCPL-2612-000E Distributor	HCPL-2612-000E Supplier
HCPL-2612-000E Price	HCPL-2612-000E Pictures	HCPL-2612-000E Image
HCPL-2612-000E PDF Datasheet	HCPL-2612-000E Download Datasheet	HCPL-2612-000E Datasheet
HCPL-2612-000E Stock	Buy HCPL-2612-000E	Buy Avago Technologies (Broadcom Limited) HCPL-2612-000E
Avago Technologies (Broadcom Limited) HCPL-2612-000E	Avago Technologies (Broadcom Limited) Supplier	Avago Technologies (Broadcom Limited) Distributor
Avago Technologies (Broadcom Limited) HCPL-2612-000E	Avago Technologies Limited HCPL-2612-000E	Avago Technologies US Inc. HCPL-2612-000E
Avago Technologies HCPL-2612-000E	Avago Technologies (Broadcom Limited) HCPL-2612-000E	Broadcom Limited HCPL-2612-000E

### Related Products

<p><b>HCPL-261A</b> Manufacturers: Avago Technologies (Broadcom Limited) Description: OPTOISO 3.75KV OPEN COLL 8DIP In stock: 58000 pcs</p> <p><a href="#">RFQ</a></p>	<p><b>HCPL-2612#300</b> Manufacturers: Avago Technologies (Broadcom Limited) Description: OPTOISO 3.75KV LINE RX 8DIP GW In stock: 10055 pcs</p> <p><a href="#">RFQ</a></p>
<p><b>HCPL-2612</b> Manufacturers: Avago Technologies (Broadcom Limited) Description: OPTOISO 3.75KV LINE RX 8DIP In stock: 6725 pcs</p> <p><a href="#">RFQ</a></p>	<p><b>HCPL-2611-560E</b> Manufacturers: Avago Technologies (Broadcom Limited) Description: OPTOISO 3.75KV OPEN COLL 8DIP GW In stock: 68390 pcs</p> <p><a href="#">RFQ</a></p>
<p><b>HCPL-2612#500</b> Manufacturers: Avago Technologies (Broadcom Limited) Description: OPTOISO 3.75KV LINE RX 8DIP GW In stock: 13404 pcs</p> <p><a href="#">RFQ</a></p>	<p><b>HCPL-261A#020</b> Manufacturers: Avago Technologies (Broadcom Limited) Description: OPTOISO 5KV OPEN COLLECTOR 8DIP In stock: 55405 pcs</p> <p><a href="#">RFQ</a></p>
<p><b>HCPL-2612-500E</b> Manufacturers: Avago Technologies (Broadcom Limited) Description: OPTOISO 3.75KV LINE RX 8DIP GW In stock: 23204 pcs</p> <p><a href="#">RFQ</a></p>	<p><b>HCPL-2612-300E</b> Manufacturers: Avago Technologies (Broadcom Limited) Description: OPTOISO 3.75KV LINE RX 8DIP GW In stock: 22419 pcs</p> <p><a href="#">RFQ</a></p>
<p><b>HCPL-2611-500E</b> Manufacturers: Avago Technologies (Broadcom Limited) Description: OPTOISO 3.75KV OPEN COLL 8DIP GW In stock: 67150 pcs</p> <p><a href="#">RFQ</a></p>	<p><b>HCPL-261A#300</b> Manufacturers: Avago Technologies (Broadcom Limited) Description: OPTOISO 3.75KV OPEN COLL 8DIP GW In stock: 52364 pcs</p> <p><a href="#">RFQ</a></p>
<p><b>HCPL-2611-520E</b> Manufacturers: Avago Technologies (Broadcom Limited) Description: OPTOISO 5KV OPEN COLL 8DIP GW In stock: 85694 pcs</p> <p><a href="#">RFQ</a></p>	<p><b>HCPL-261A#060</b> Manufacturers: Avago Technologies (Broadcom Limited) Description: OPTOISO 3.75KV OPEN COLL 8DIP In stock: 66381 pcs</p> <p><a href="#">RFQ</a></p>