

Grayhill, Inc.

## 62S11-M9-040SH

Part Number:	62S11-M9-040SH
Manufacturer/Brand:	Grayhill, Inc.
Product description:	ROTARY ENCODER OPT 32PPR 4" CBL
Datasheets:	62S11-M9-040SH.pdf
RoHS Status:	Lead free / RoHS Compliant
Stock Condition:	1879 pcs stock
Ship From:	Hong Kong
Shipment Way:	DHL/Fedex/TNT/UPS/EMS

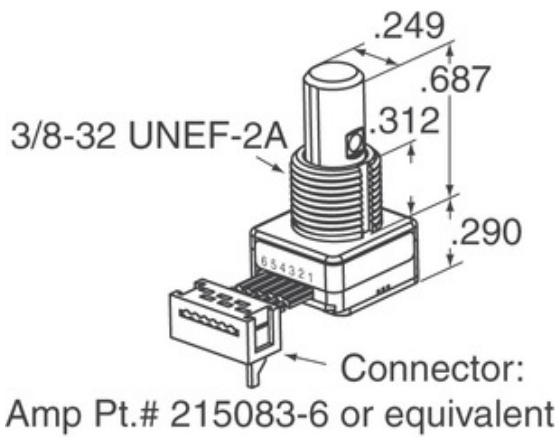

[REQUEST FOR QUOTATION](#)

Image may be representation. See specifications for product details.

### Specifications of 62S11-M9-040SH

PART NUMBER	62S11-M9-040SH
MANUFACTURER	Grayhill, Inc.
DESCRIPTION	ROTARY ENCODER OPT 32PPR 4" CBL
LEAD FREE STATUS / ROHS STATUS	Lead free / RoHS Compliant
QUANTITY AVAILABLE	1879 pcs
DATA SHEET	62S11-M9-040SH.pdf
VOLTAGE - SUPPLY	5V
TERMINATION STYLE	Cable Leads
SERIES	62S
ROTATIONAL LIFE (CYCLES MIN)	1M
PULSES PER REVOLUTION	32
OUTPUT TYPE	Quadrature (Incremental)
OTHER NAMES	Q3843894
ORIENTATION	Vertical
MOUNTING TYPE	Panel Mount
MOISTURE SENSITIVITY LEVEL (MSL)	1 (Unlimited)
LEAD FREE STATUS / ROHS STATUS	Lead free / RoHS Compliant
ENCODER TYPE	Optical
DETENT	Yes
BUILT IN SWITCH	Yes
ACTUATOR TYPE	1/4" Dia Flatted End

### Related Tags

Grayhill, Inc. 62S11-M9-040SH	62S11-M9-040SH Distributor	62S11-M9-040SH Supplier
62S11-M9-040SH Price	62S11-M9-040SH Pictures	62S11-M9-040SH Image
62S11-M9-040SH PDF Datasheet	62S11-M9-040SH Download Datasheet	62S11-M9-040SH Datasheet
62S11-M9-040SH Stock	Buy 62S11-M9-040SH	Buy Grayhill, Inc. 62S11-M9-040SH
Grayhill, Inc. 62S11-M9-040SH	Grayhill, Inc. Supplier	Grayhill, Inc. Distributor
Grayhill, Inc. 62S11-M9-040SH	Grayhill Inc. 62S11-M9-040SH	

### Related Products

<p><b>62S11-M9-020CH</b> Manufacturers: Grayhill, Inc. Description: ROTARY ENCODER OPTICAL 32PPR In stock: 2097 pcs</p> <p><a href="#">RFQ</a></p>	<p><b>62S11-M9-100S</b> Manufacturers: Grayhill, Inc. Description: ROTARY ENCODER OPTICAL 32PPR In stock: 2008 pcs</p> <p><a href="#">RFQ</a></p>
<p><b>62S11-M9-120S</b> Manufacturers: Grayhill, Inc. Description: ROTARY ENCODER OPTICAL 32PPR In stock: 2092 pcs</p> <p><a href="#">RFQ</a></p>	<p><b>62S11-M9-030S</b> Manufacturers: Grayhill, Inc. Description: ROTARY ENCODER OPTICAL 32PPR In stock: 1918 pcs</p> <p><a href="#">RFQ</a></p>
<p><b>62S11-M9-025S</b> Manufacturers: Grayhill, Inc. Description: ROTARY ENCODER OPTICAL 32PPR In stock: 2070 pcs</p> <p><a href="#">RFQ</a></p>	<p><b>62S11-M9-050C</b> Manufacturers: Grayhill, Inc. Description: ROTARY ENCODER OPTICAL 32PPR In stock: 2082 pcs</p> <p><a href="#">RFQ</a></p>
<p><b>62S11-M9-060C</b> Manufacturers: Grayhill, Inc. Description: ROTARY ENCODER OPTICAL 32PPR In stock: 2060 pcs</p> <p><a href="#">RFQ</a></p>	<p><b>62S11-M9-040C</b> Manufacturers: Grayhill, Inc. Description: ROTARY ENCODER OPTICAL 32PPR In stock: 1933 pcs</p> <p><a href="#">RFQ</a></p>
<p><b>62S11-M9-100C</b> Manufacturers: Grayhill, Inc. Description: ROTARY ENCODER OPTICAL 32PPR In stock: 2260 pcs</p> <p><a href="#">RFQ</a></p>	<p><b>62S11-M9-020C</b> Manufacturers: Grayhill, Inc. Description: ROTARY ENCODER OPTICAL 32PPR In stock: 2241 pcs</p> <p><a href="#">RFQ</a></p>
<p><b>62S11-M9-095CH</b> Manufacturers: Grayhill, Inc. Description: ROTARY ENCODER OPTICAL 32PPR In stock: 1978 pcs</p> <p><a href="#">RFQ</a></p>	<p><b>62S11-M9-020S</b> Manufacturers: Grayhill, Inc. Description: ROTARY ENCODER OPTICAL 32PPR In stock: 2269 pcs</p> <p><a href="#">RFQ</a></p>

Copyright © 2020 Reliable Distributor of Electronic Components

E-mail: [Info@infinity-electronic.com](mailto:Info@infinity-electronic.com)

Address: 17F, Gaylord Commercial Building, 114-118 Lockhart Road, Wan Chai, Hong Kong

