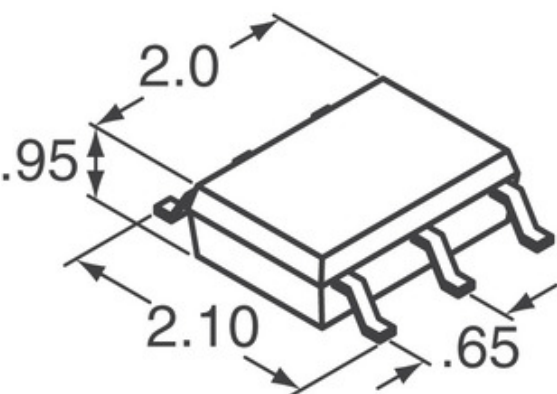


RFMD

RFMD

### SGA-4263Z

Part Number: SGA-4263Z  
 Manufacturer/Brand: RFMD  
 Product description: IC AMP HBT SIGE 3500MHZ SOT-363  
 Datasheets:  
 RoHS Status: Lead free / RoHS Compliant  
 Stock Condition: 43794 pcs stock  
 Ship From: Hong Kong  
 Shipment Way: DHL/Fedex/TNT/UPS/EMS



[REQUEST FOR QUOTATION](#)

Image may be representation. See specifications for product details.

#### Specifications of SGA-4263Z

PART NUMBER	SGA-4263Z
MANUFACTURER	RFMD
DESCRIPTION	IC AMP HBT SIGE 3500MHZ SOT-363
LEAD FREE STATUS / ROHS STATUS	Lead free / RoHS Compliant
QUANTITY AVAILABLE	43794 pcs
DATA SHEET	
VOLTAGE - BREAKDOWN	SOT-363
TEST FREQUENCY	Cellular, GSM, PCS, UMTS
SHELL STYLE	2.9 V ~ 3.5 V
SERIES	-
ROHS STATUS	Digi-Reel®
RF TYPE	12.5dBm (17.8mW)
POLARIZATION	6-TSSOP, SC-88, SOT-363
OTHER NAMES	599-1030-6
MOISTURE SENSITIVITY LEVEL (MSL)	1 (Unlimited)
MANUFACTURER PART NUMBER	SGA-4263Z
FREQUENCY GROUP	1.95GHz
FREQUENCY	0Hz ~ 3.5GHz
FET TYPE	12.7dB
EXPANDED DESCRIPTION	RF Amplifier IC Cellular, GSM, PCS, UMTS 0Hz ~ 3.5GHz SOT-363
DESCRIPTION	IC AMP HBT SIGE 3500MHZ SOT-363
CURRENT - TEST	3.7dB
CURRENT - SUPPLY	41mA ~ 49mA

#### Related Tags

<a href="#">RFMD SGA-4263Z</a>	<a href="#">SGA-4263Z Distributor</a>	<a href="#">SGA-4263Z Supplier</a>
<a href="#">SGA-4263Z Price</a>	<a href="#">SGA-4263Z Pictures</a>	<a href="#">SGA-4263Z Image</a>
<a href="#">SGA-4263Z PDF Datasheet</a>	<a href="#">SGA-4263Z Download Datasheet</a>	<a href="#">SGA-4263Z Datasheet</a>
<a href="#">SGA-4263Z Stock</a>	<a href="#">Buy SGA-4263Z</a>	<a href="#">Buy RFMD SGA-4263Z</a>
<a href="#">RFMD SGA-4263Z</a>	<a href="#">RFMD Supplier</a>	<a href="#">RFMD Distributor</a>
<a href="#">RFMD SGA-4263Z</a>		

#### Related Products

<p><b>SGA-4163Z</b>                  Manufacturers: RFMD                  Description: IC AMP HBT SIGE 5000MHZ SOT-363                  In stock: 2933 pcs  <a href="#">RFQ</a></p>	<p><b>SGA-4386</b>                  Manufacturers: RFMD                  Description: IC AMP CELLULAR 0HZ-4.5GHZ SOT86                  In stock: 98407 pcs  <a href="#">RFQ</a></p>
<p><b>SGA-4363</b>                  Manufacturers: RFMD                  Description: IC AMP CELLULAR 0HZ-4GHZ SOT363                  In stock: 145625 pcs  <a href="#">RFQ</a></p>	<p><b>SGA-4186</b>                  Manufacturers: RFMD                  Description: IC AMP CELLULAR 0HZ-5GHZ SOT86                  In stock: 114493 pcs  <a href="#">RFQ</a></p>
<p><b>SGA-4363Z</b>                  Manufacturers: RFMD                  Description: IC AMP CELLULAR 0HZ-4GHZ SOT363                  In stock: 51331 pcs  <a href="#">RFQ</a></p>	<p><b>SGA-4186Z</b>                  Manufacturers: RFMD                  Description: IC AMP HBT SIGE 5000MHZ SOT-86                  In stock: 4404 pcs  <a href="#">RFQ</a></p>
<p><b>SGA-4163</b>                  Manufacturers: RFMD                  Description: IC AMP CELLULAR 0HZ-5GHZ SOT363                  In stock: 117901 pcs  <a href="#">RFQ</a></p>	<p><b>SGA-4263</b>                  Manufacturers: RFMD                  Description: IC AMP CELLULAR 0HZ-3.5GHZ SOT363                  In stock: 153072 pcs  <a href="#">RFQ</a></p>
<p><b>SGA-3586Z</b>                  Manufacturers: RFMD                  Description: IC AMP HBT SIGE 5000MHZ SOT-86                  In stock: 3011 pcs  <a href="#">RFQ</a></p>	<p><b>SGA-4386Z</b>                  Manufacturers: RFMD                  Description: IC AMP HBT SIGE 4500MHZ SOT-86                  In stock: 7082 pcs  <a href="#">RFQ</a></p>
<p><b>SGA-4286</b>                  Manufacturers: RFMD                  Description: IC AMP CELLULAR 0HZ-5GHZ SOT86                  In stock: 118848 pcs  <a href="#">RFQ</a></p>	<p><b>SGA-4286Z</b>                  Manufacturers: RFMD                  Description: IC AMP HBT SIGE 5000MHZ SOT-86                  In stock: 4006 pcs  <a href="#">RFQ</a></p>