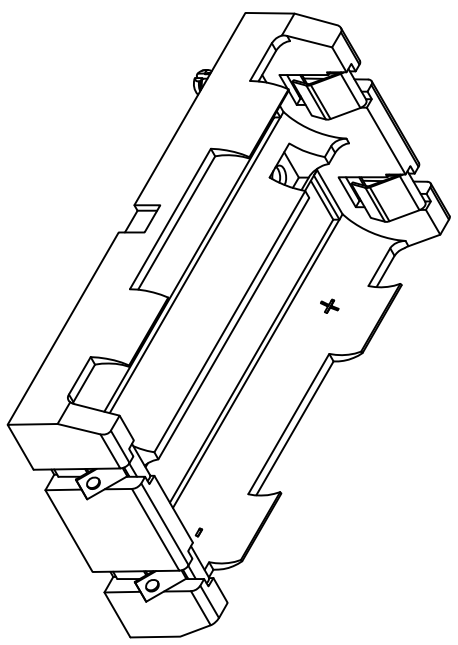


- NOTE:
1. BASE:
MAT'L: HEAT RESISTANCE NYLON (BLACK OLOR)
STANLYL 46 OR EQUIVALENT
 2. CONTACT:
MAT'L: .012 THK STAINLESS STEEL
FINISH: TIN NICKEL PLATE

POLARITY SYMBOL
(APPROX. AS SHOWN)



DATE	DESCRIPTION	REV.
1.19.15	CHANGE AS PER ECN 14-011	A

KEYSTONE ELECTRONICS CORP.
www.keyelco.com • ASTORIA, N.Y. 11105-2017 • Tel (718) 956-8900

PART NAME
SOLDER TAIL DUAL BATTERY HOLDER, 18650

MATERIAL
AS NOTED

FINISH
AS NOTED

TOLERANCES	INCH	[MM]	CODE	DWG NO.
DECIMAL	± .010	[± 0.25]	C	
ANGULAR	± 1°			

THIS DOCUMENT IS THE PROPERTY OF
KEYSTONE ELECTRONICS CORP. AND
SHALL NOT BE REPRODUCED, DISTRIBUTED
OR USED AS A BASIS FOR MANUFACTURE
WITHOUT PRIOR WRITTEN PERMISSION
FROM KEYSTONE ELECTRONICS CORP.

DRN BY: NT
DATE: 12.08.14
App'D: LN
SCALE: 1X

1047