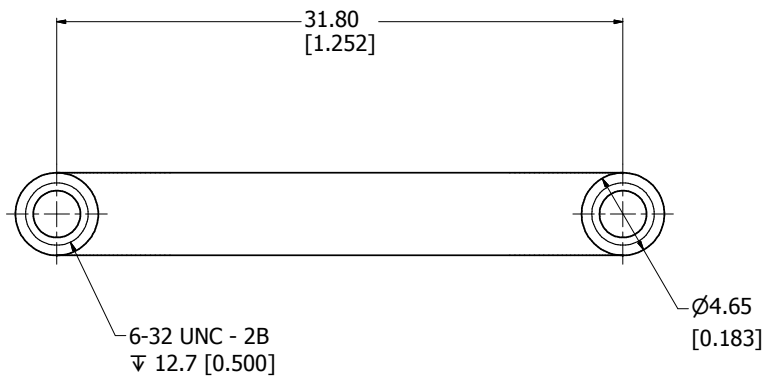
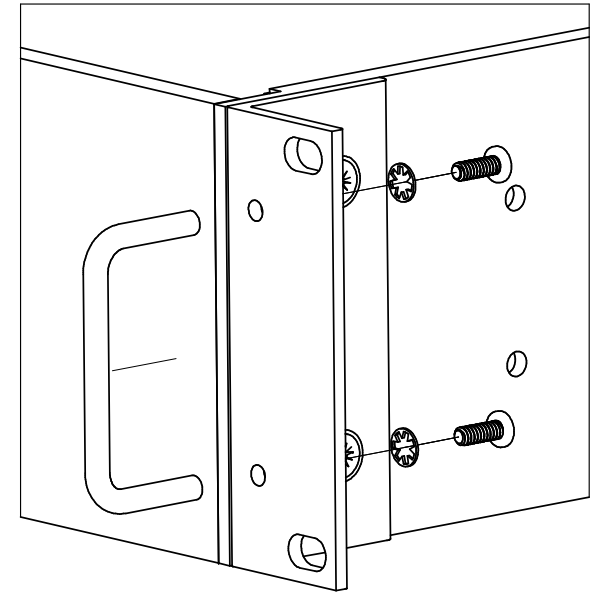
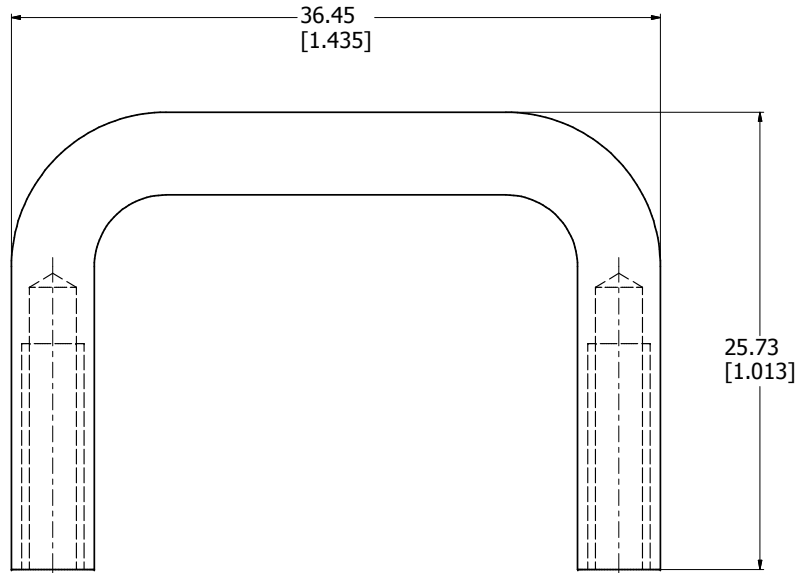


1427B2BK
Handle Material - CR Steel (x2)
Finish - Blank Zinc Plated
Hardware
4 Screws - Panhead 6-32 x 3/8"
4 Internal Tooth Lockwashers
**note handle sold as pair

HAMMOND
MANUFACTURING™

1427B2BK



1427B2BK
Handle Material - CR Steel (x2)
Finish - Blank Zinc Plated
Hardware
4 Screws - Panhead 6-32 x 3/8"
4 Internal Tooth Lockwashers
**note handle sold as pair

AM HAMMOND
MANUFACTURING™

W 1427B2BK