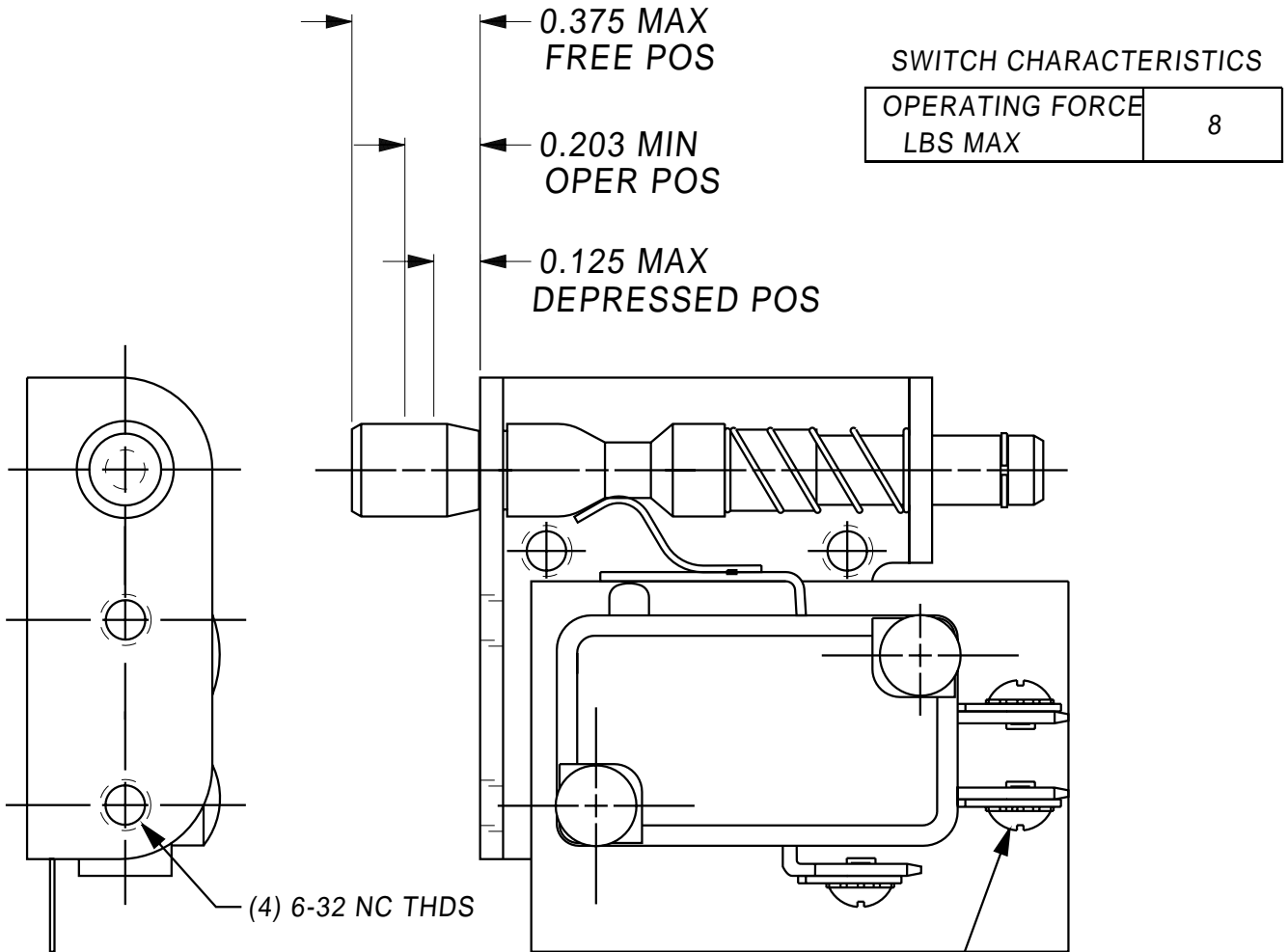


ALL DIMS. AND TOLS. PER ANSI Y14.5	DRAWN NAME	DATE DATE	C&K PART NUMBER 11TL602	C&K REV. A
	SCALE SCALE	APPR. APPR.	DESCRIPTION SWITCH 11TL INTER-LOCK SS-FORM	
TOLERANCES DECIMAL ANGLE .XX± .XXX± ±		UNLESS OTHERWISE SPECIFIED DIMENSIONS ARE IN INCHES		CUSTOMER NAME C&K COMP.
<input checked="" type="checkbox"/> CRITICAL - MUST COMPLY WITH C&K QUALIFICATION STD. CKQI0019 <input type="checkbox"/> MAJOR DIMENSION		THIS DOCUMENT AND THE INFORMATION IN IT IS THE EXCLUSIVE PROPERTY OF C&K COMPONENTS, INC., AND IS NOT TO BE USED OR DISCLOSED WITHOUT THE EXPRESS WRITTEN PERMISSION OF C&K COMPONENTS, INC.		PLATE NO.
			CUSTOMER PART NUMBER 11TL602	CUST. REV. NP

**NOTES:**

1. STAMP SWITCH PER C&K/UNIMAX SPEC 7.18.3 (G6).
2. ASSEMBLE PER ROUTER AND BILL OF MATERIAL.
3. BASIC SWITCH IS TYPE 3TM.
4. UNIT PART NO. APPEAR ON BRACKET PER 34-415.
5. RIVETING TO BE DONE ON BRACKET SIDE AND TO BE FLUSH OR BELOW SURFACE OF BRACKET.
6. PLUNGER TO BE SPRAYED WITH DRY LUBE BEFORE (A) ASSEMBLING WITH BRACKET.



ECN	SYM	DESCRIPTION	DATE
9828	A	RELEASE TO PRODUCTION	2/9/01 CAB

INTERNAL DOCUMENT ONLY DISCARD PREVIOUS FORM  
CAD FILE NO.: 11tl602