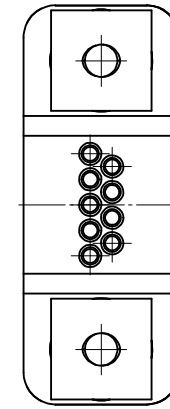
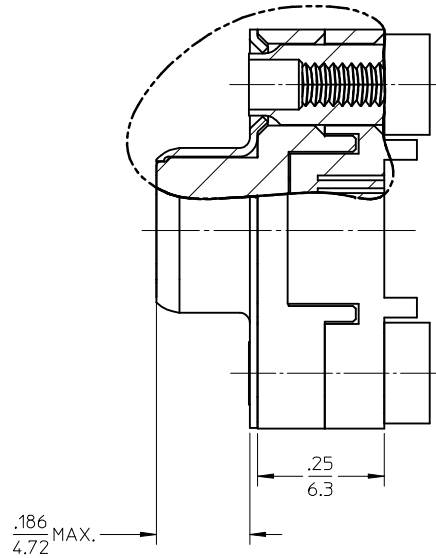
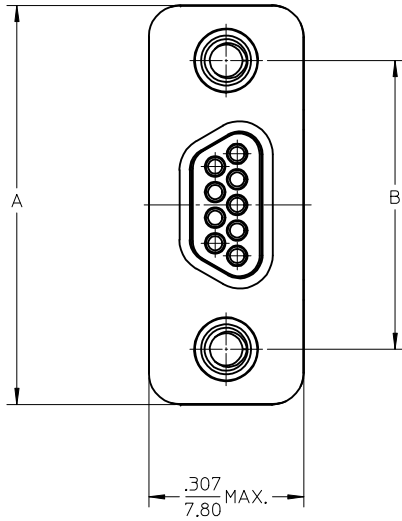


MATERIAL NO.	ENGINEERING NO.	SIZE	A	B
834119110	83411-9110	9	.783	.565
834129019	83412-9019	15	.933	.715
834149021	83414-9021	25	1.183	.965



SIZE 9 SHOWN

SALES DRAWING

- MARKING: NONE
- TO BE USED WITH 830009560 CONTACT (LOOSE PIECE)
830009561 CONTACT (2.5K REEL)

UPDATED EC NO: IPG2014-2197 DRWNGGUSTAFSON 2014/06/30 CHKD:BRUPERT 2014/07/18 APPR:BMOODMAN 2014/07/28	DESCRIPTION REV	QUALITY SYMBOLS	GENERAL TOLERANCES (UNLESS SPECIFIED)	DIMENSION STYLE IN/MM	SCALE 4:1	DESIGN UNITS INCH	THIRD ANGLE PROJECTION																																					
		$\nabla = 0$ $\nabla C = 0$	<table border="1"> <thead> <tr> <th></th> <th>mm</th> <th>INCH</th> </tr> </thead> <tbody> <tr> <td>4 PLACES</td> <td>± ---</td> <td>± ---</td> </tr> <tr> <td>3 PLACES</td> <td>± ---</td> <td>± .005</td> </tr> <tr> <td>2 PLACES</td> <td>± 0.13</td> <td>± .01</td> </tr> <tr> <td>1 PLACE</td> <td>± 0.25</td> <td>± ---</td> </tr> <tr> <td colspan="3">ANGULAR ± 1/2°</td> </tr> </tbody> </table>		mm	INCH	4 PLACES	± ---	± ---	3 PLACES	± ---	± .005	2 PLACES	± 0.13	± .01	1 PLACE	± 0.25	± ---	ANGULAR ± 1/2°			<table border="1"> <thead> <tr> <th>DRAWN BY</th> <th>DATE</th> <th>TITLE</th> </tr> </thead> <tbody> <tr> <td>JLOMASTR</td> <td>04/10/13</td> <td rowspan="4">COMMERCIAL MICRO D PIN ASS'Y CRIMP AND POKE SIZE 9, 15, 25</td> </tr> <tr> <td>CHECKED BY</td> <td>DATE</td> </tr> <tr> <td>RDEROSS</td> <td>04/10/14</td> </tr> <tr> <td>APPROVED BY</td> <td>DATE</td> </tr> <tr> <td>RDEROSS</td> <td>04/10/15</td> <td> MOLEX INCORPORATED </td> </tr> </tbody> </table>	DRAWN BY	DATE	TITLE	JLOMASTR	04/10/13	COMMERCIAL MICRO D PIN ASS'Y CRIMP AND POKE SIZE 9, 15, 25	CHECKED BY	DATE	RDEROSS	04/10/14	APPROVED BY	DATE	RDEROSS	04/10/15	MOLEX INCORPORATED	<table border="1"> <thead> <tr> <th>MATERIAL NO.</th> <th>DOCUMENT NO.</th> <th>SHEET NO.</th> </tr> </thead> <tbody> <tr> <td>SEE CHART</td> <td>SD-83411-006</td> <td>1 OF 1</td> </tr> </tbody> </table>	MATERIAL NO.	DOCUMENT NO.	SHEET NO.	SEE CHART	SD-83411-006	1 OF 1
			mm	INCH																																								
		4 PLACES	± ---	± ---																																								
3 PLACES	± ---	± .005																																										
2 PLACES	± 0.13	± .01																																										
1 PLACE	± 0.25	± ---																																										
ANGULAR ± 1/2°																																												
DRAWN BY	DATE	TITLE																																										
JLOMASTR	04/10/13	COMMERCIAL MICRO D PIN ASS'Y CRIMP AND POKE SIZE 9, 15, 25																																										
CHECKED BY	DATE																																											
RDEROSS	04/10/14																																											
APPROVED BY	DATE																																											
RDEROSS	04/10/15	MOLEX INCORPORATED																																										
MATERIAL NO.	DOCUMENT NO.	SHEET NO.																																										
SEE CHART	SD-83411-006	1 OF 1																																										
DRAFT WHERE APPLICABLE MUST REMAIN WITHIN DIMENSIONS			THIS DRAWING CONTAINS INFORMATION THAT IS PROPRIETARY TO MOLEX INCORPORATED AND SHOULD NOT BE USED WITHOUT WRITTEN PERMISSION																																									