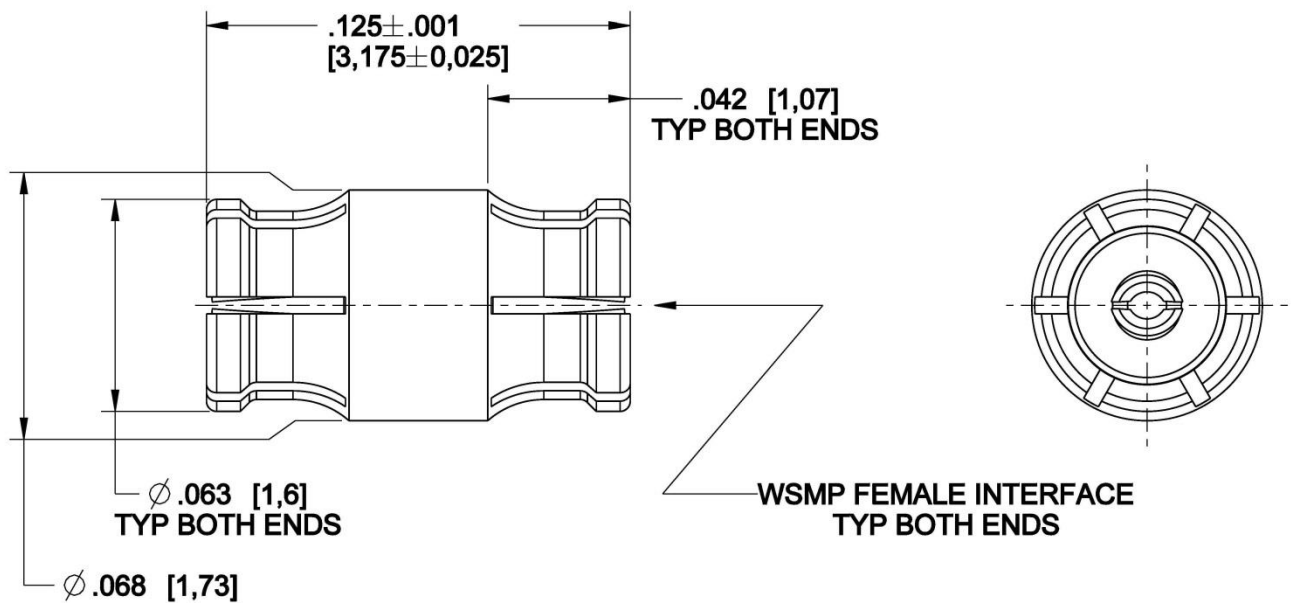
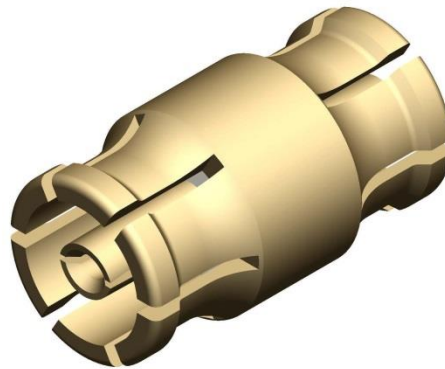


WSMP

Adaptor (Bullet)
Female to Female

W1K10C-K00D3



Interface

According to

Rosenberger WSMP™ Interface standards

Material and plating

Connector parts

Body

Material
CuBe per ASTM B196

Plating

Hard gold 50µIN [1,27µm] min over
Nickel 50µIN [1,27µm] min
Hard gold 50µIN [1,27µm] min over
Nickel 50µIN [1,27µm] min

Contact

CuBe per ASTM B196

Dielectric

PTFE

Dieses Dokument ist urheberrechtlich geschützt • This document is protected by copyright • Rosenberger Hochfrequenztechnik GmbH & Co. KG

WSMP

Adaptor (Bullet)
Female to Female

W1K10C-K00D3

Electrical data

Impedance 50 Ω
 Frequency DC to 100 GHz
 Return loss (typical) ≥ 26 dB, DC to 26.5 GHz
 ≥ 19 dB, 26.5 to 65 GHz
 Insertion loss ≤ 0.12 x √f(GHz) dB
 Insulation resistance ≥ 3.5 x10³ MΩ
 Center contact resistance ≤ 2.0 mΩ
 Outer contact resistance ≤ 6.0 mΩ
 Test voltage (at sea level) 250 V rms
 RF High Potential (at sea level) 150 V rms @ 5 MHz
 RF-leakage ≥ -80 dB (typical mated pair)

- Limitations are possible due to the used cable type

Mechanical data

Mating cycles
 - Full Detent mating plug ≥ 100
 - Smooth Bore mating plug ≥ 500
 Engagement force (typical)
 - Full Detent 2.5 lb_f [11 N]
 - Smooth Bore 1.2 lb_f [5.3 N]
 Disengagement force (typical)
 - Full Detent 4.5 lb_f [20 N]
 - Smooth Bore 1.0 lb_f [4.5 N]

Environmental data

Temperature range -55° to +165°C
 Thermal shock MIL-STD-202, Meth. 107, Condition B
 Corrosion MIL-STD-202, Method 101
 Vibration MIL-STD-202, Method 204, Condition D
 Shock MIL-STD-202, Meth. 213, Condition I
 Moisture resistance MIL-STD-202, Method 106, except Step 7B
 2002/95/EC (RoHS) compliant

Tooling

Installation/Extraction tool W1W002-000

Suitable cables

N/A

Packing

Standard 100 pcs in a bag

Dieses Dokument ist urheberrechtlich geschützt • This document is protected by copyright • Rosenberger Hochfrequenztechnik GmbH & Co. KG

Draft	Date	Approved	Date	Rev.	Engineering change number	Name	Date
R. Hosler	7/22/2013	J. Mohammed	7/22/2013	a00	ECN 14-s000; Released	M. Peeran	8/8/2014

Rosenberger of North America, LLC P.O. Box 309 Akron, PA USA 17501 www.rosenbergerna.com				Tel. : +1.717.859.8900 Fax : +1.717.859.7044 Email : info@rosenbergerna.com		Page 2 / 2	
---	--	--	--	---	--	---------------	--