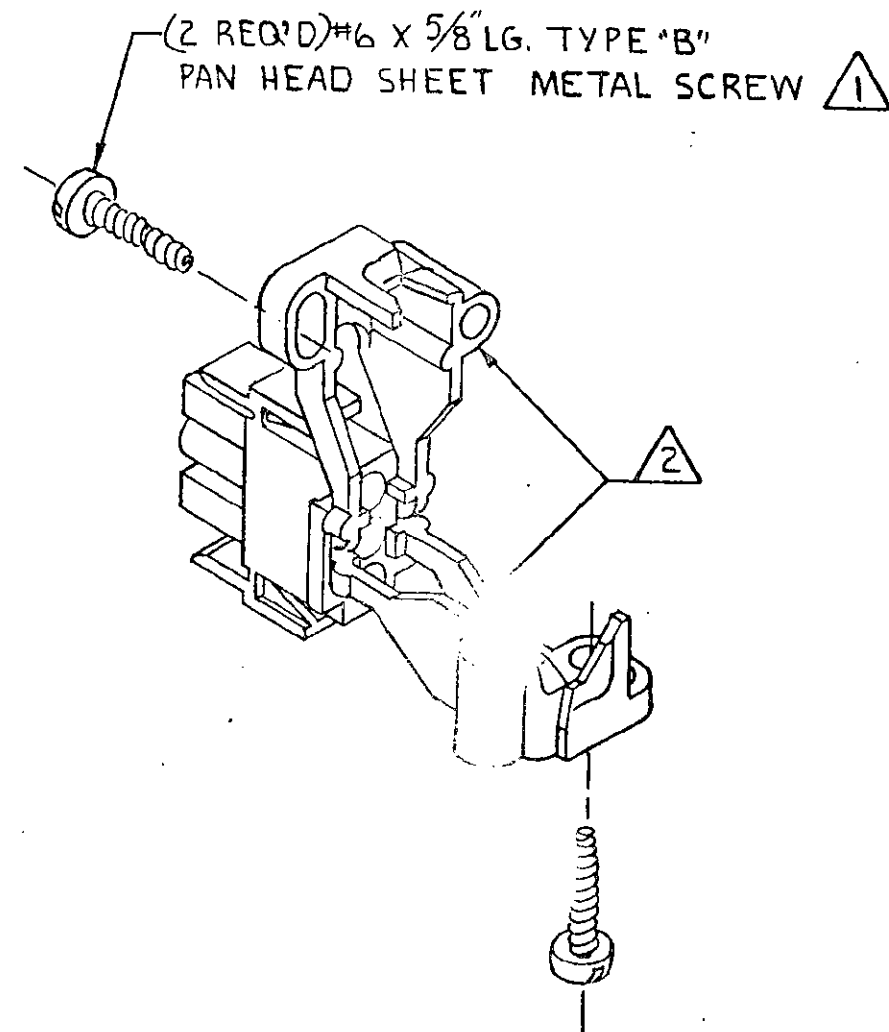
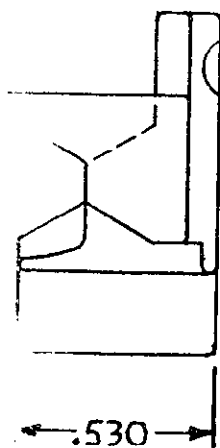
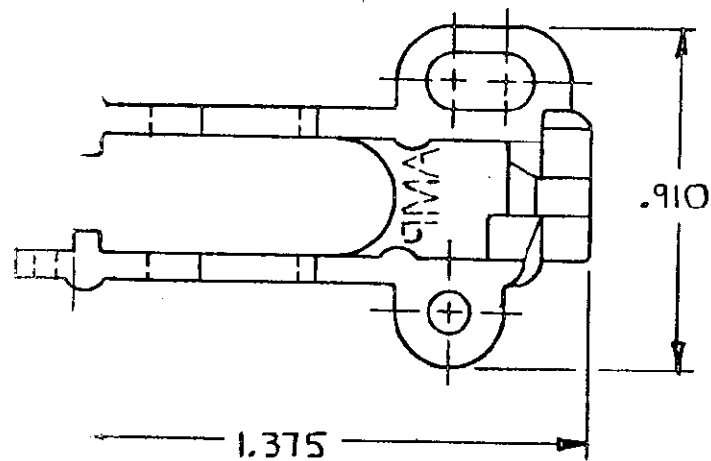
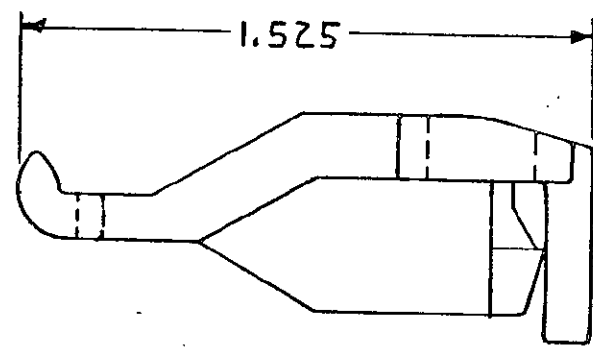


DRAWING MADE IN THIRD ANGLE PROJECTION
 © COPYRIGHT 1977 BY AMP INCORPORATED, HARRISBURG, PA.
 ALL INTERNATIONAL RIGHTS RESERVED. AMP INCORPORATED PRODUCTS
 COVERED BY U. S. AND FOREIGN PATENTS AND/OR PATENTS PENDING.

1 SHEET METAL SCREWS NOT SUPPLIED
 2 TWO REQUIRED PER CONNECTOR.
 3 FOR USE WITH 2,3,4 CIRCUIT HOUSINGS WITH A MAXIMUM
 WIRE BUNDLE DIAMETER OF 5/16".

| | | REVISIONS | | | LOC | DIST |
|---|---|-----------|-----|------------------------|---------|----------|
| P | F | ZONE | LTR | DESCRIPTION | DATE | APPROVED |
| ✓ | ✓ | | C | REV PER EC0730-0201-94 | 4-25-80 | JH RS |
| ✓ | | | | | | |
| ✓ | | | | | | |



350811-1

PART NC

| | | | |
|--|-----------------------------|---|---------------------|
| UNLESS OTHERWISE SPECIFIED DIMENSIONS ARE IN INCHES. TOLERANCES ON: DECIMALS ±.015 ANGLES ± | CONTRACT NO | AMP INCORPORATED Harrisburg, Pa. | |
| | DR M. FEHER 2-19-80 | | |
| MATERIAL NYLON 94V-0 | CHK D.S. Heide 2/29/80 | STRAIN RELIEF FOR UNIVERSAL MATE-N-LOK HOUSING | |
| | APPD J.C. Fisher 2-29-80 | APPD | |
| | DSGN APPD | SIZE C | CODE IDENT NO 00779 |
| | OTHER APPD | SCALE 2-1 | DRAWING NO 350811 |
| | | | SHEET |