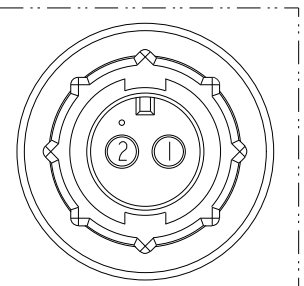
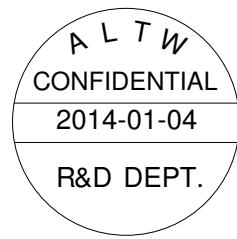
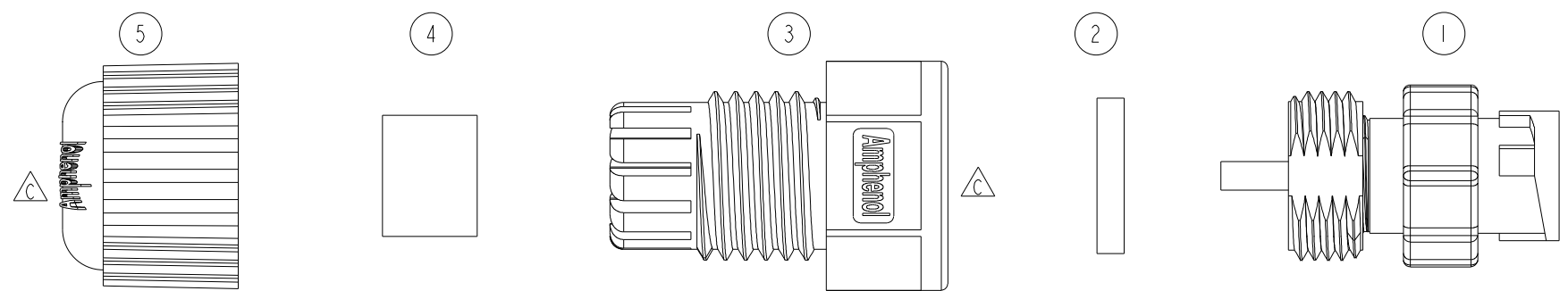
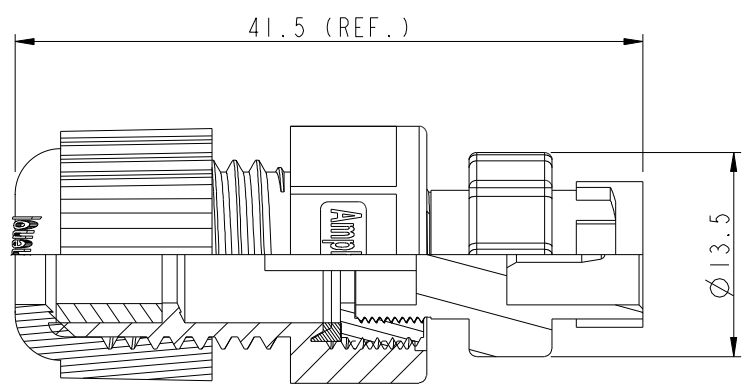


THIS DOCUMENT IS SUBJECT TO CHANGE WITHOUT NOTICE. IT IS CONFIDENTIAL AND A PROPERTY OF Amphenol LTW. DISCLOSURE TO THIRD PARTY HAS TO BE AUTHORIZED BY Amphenol LTW.

REV.	ECN NO.	DATE	SIGN	DESCRIPTION
C	LEN1410030	2014/01/04	Lu Di	Update Logo



Pin Assignments
Front View 前視圖



Note:

- * Important Dimension To Check.
- * Waterproof Rate: IP67
- * Housing: Nylon+GF, Black
- * Male Pin: Copper Alloy, Gold Plated
- * Lock Nut: Nylon+GF, Black
- * O-Ring: EPDM, Black
- * Gasket: EPDM, Black
- * Seal: EPDM, Black
- * Clamp Ring: Nylon, Black
- * Sealing Nut: Nylon, Black
- * Seal For Cable OD: $\varnothing 4.5\text{mm} \sim \varnothing 6.5\text{mm}$
- * One Set Unassembled In One PE Bag

UNIT: mm		
TOLERANCE	.X	± 0.25
	.XX	± 0.1
	.XXX	± 0.05
ANGLES		$\pm 1^\circ$

TITLE LOCK TYPE CONN. FOR FIELD INSTALLATION 180° 2PIN M CONN. M PIN (5A)			
SCALE	2:1	SIZE	A4
SHEET	1	OF	1
REV.	C	WC-REV.	B.2
QC: Inspection item			

Amphenol LTW
安費諾亮泰企業股份有限公司

ITEM NO.	AD-02BMMA-LL7001	DRAWN BY	Di_lu	DATE	2014-01-04
DWG NO.	AD-02BMMA-LL7001	CHECKED BY	Mafei	DATE	2014-01-04
CUSTOMER	ALTW	APPROVED BY	Victor	DATE	2014-01-04