



Major - JQ12C4 - 031092 - No
 (Family) (Model) (Part #) (In Stock)

Electrical Specifications

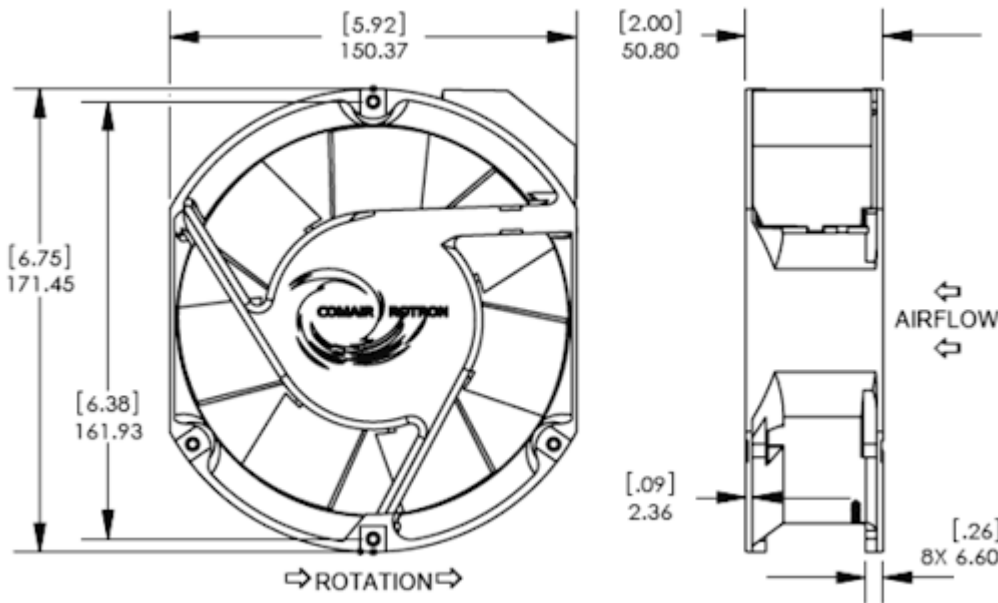
Operating Voltage:	12 Volts
Voltage Range:	6 - 14 Volts
Power Supply:	18.0 Watts
Line Current:	1.50 Amps
Locked Rotor Current	3.40 Amps
Nominal Speed:	2800 RPM

Mechanical Specifications

Dimensions:	6.8 x 5.9 x 2.0 in
Weight	29.64 oz
Max Airflow @ 0 in H ₂ O	205.0 CFM
Max Pressure @ 0 CFM	0.615 in H ₂ O
Noise	49.0 dBA



Mechanical Drawing



Comair Rotron, Inc.
 Phone: 619.651.2000
 sales@comairrotron.com

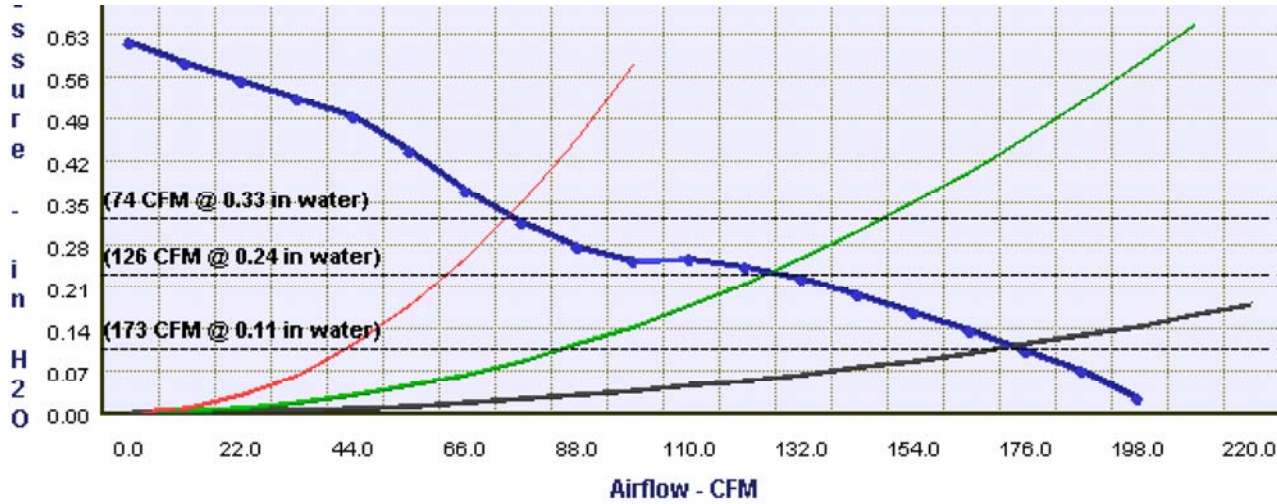
Comair Rotron Europe, Ltd.
 Phone: +44.1527.520525
 saleseurope@comairrotron.com

Comair Rotron Fan Company Ltd.
 Phone: +86.21.52260581
 salesasia@comairrotron.com

Print Date: Wednesday, May 12, 2010 at 10:07:22 - DC Fan Datasheet - Web Version 1.0 Rev. B



Fan Performance Curve



Fan Configuration Options

Major (Family)
 JQ12C4 (Model)
 /
 031092 (Part #)
 No (In Stock)
 Terminals (Features)

Fan Speed: 2800 RPM
 Fan Bearings: Ball Bearings
Fan Airflow Direction: Flow R (CCW Rotation)
 Fan Termination: Terminals

Fan Monitoring Options: No Fan Monitoring Options Selected

Fan Speed Control Option: No ThermaPro-V Fan Speed Control Options Selected

Environmental Protection Options: No Enviroshield Options Selected

Comair Rotron, Inc.
 Phone: 619.651.2000
 sales@comairrotron.com

Comair Rotron Europe, Ltd.
 Phone: +44.1527.520525
 saleseurope@comairrotron.com

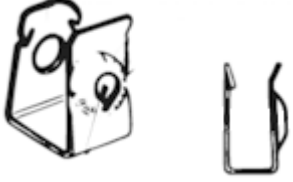
Comair Rotron Fan Company Ltd.
 Phone: +86.21.52260581
 salesasia@comairrotron.com

Print Date: Wednesday, May 12, 2010 at 10:07:22 - DC Fan Datasheet - Web Version 1.0 Rev. B

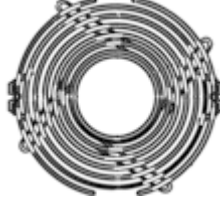


Accessories [\(Click on part number for detailed drawing.\)](#)

- 477663**
Mounting Clip



- 550272**
Finger Guard



Comair Rotron, Inc.
Phone: 619.651.2000
sales@comairrotron.com

Comair Rotron Europe, Ltd.
Phone: +44.1527.520525
saleseurope@comairrotron.com

Comair Rotron Fan Company Ltd.
Phone: +86.21.52260581
salesasia@comairrotron.com

Print Date: Wednesday, May 12, 2010 at 10:07:22 - DC Fan Datasheet - Web Version 1.0 Rev. B