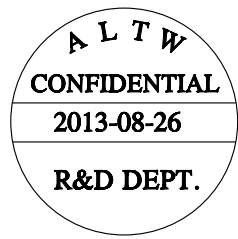
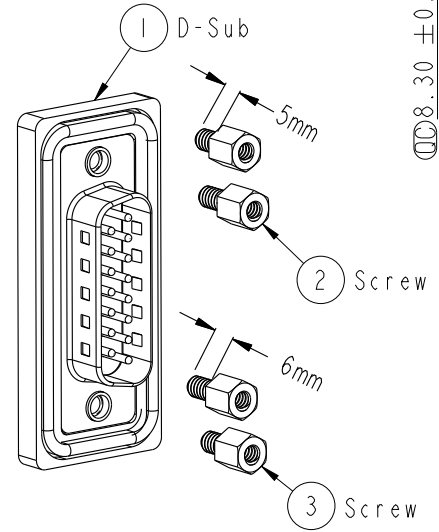
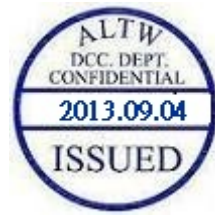
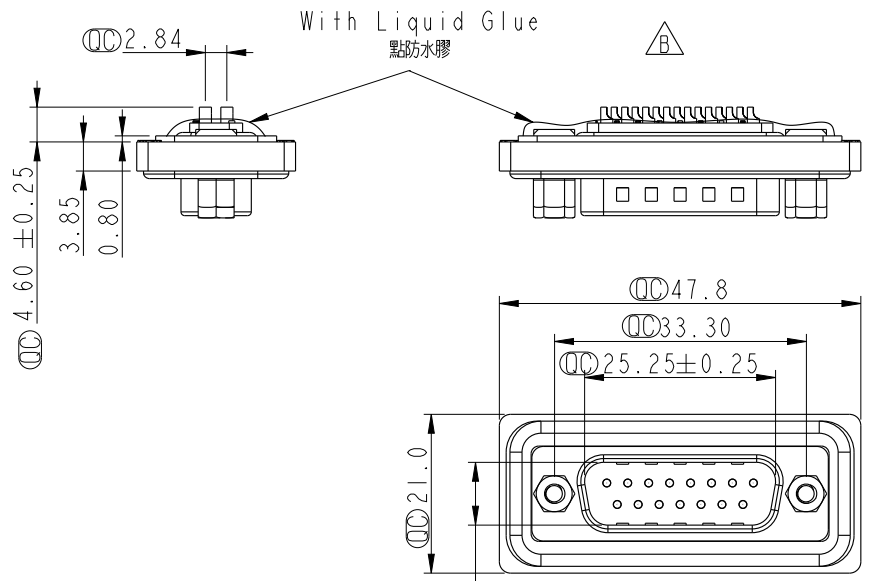
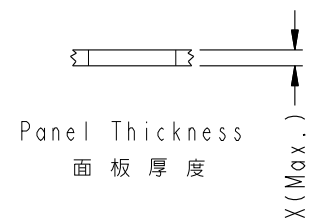


REV.	ECN NO.	DATE	SIGN	DESCRIPTION
B	LEN-970141	2009/07/28	Vicky	Remove Pin Dim.
C	LEN1390072	2013/08/26	Tony_leng	Change 8.36 To 8.30

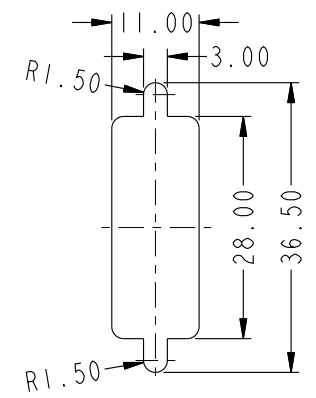


- Note:
- * \varnothing Important Dimension.
 - * Waterproof Rate: IP68
IP68: 1M of depth of water 24 hours
(防水等級: IP68)
(IP68: 1米水深24小時)
 - * Do Mating Test After Glued
點膠後, 須作對插測試
 - * Housing: Black, Nylon+GF.
 - * Connector: Black, PBT.
 - * Male Pin: Copper Alloy, Gold Plated.
 - * Ring: Light Blue, Silicone.
 - * Screw: Copper Alloy, Nickel Plated, #4-40 UNC.
 - * Applicable Wire Range: 22AWG-26AWG.
適用電線範圍: 22AWG-26AWG



Screw L=5.0 For Panel Thickness Under 1.2mm
適用板厚為1.2mm以下

Screw L=6.0 For Panel Thickness Between 1.2~2.0mm
適用板厚為1.2~2.0mm



Recommended Panel Cut-Out
建議挖孔尺寸

UNIT: mm		
TOLERANCE		
.X	±0.25	
.XX	±0.1	
.XXX	±0.05	
ANGLES	±1°	

TITLE D-SUB Conn. Panel Screw DB15P M Conn. M Pin			
SCALE	SIZE	SHEET	OF
1:1	A4	1	1
REV.	WC-REV.	\varnothing : Inspection item	
C	A.4		

Amphenol LTW
安費諾亮泰企業股份有限公司

ITEM NO	SDB-15PMMS-SL8001
DWG NO	SDB-15PMMS-SL8001
CUSTOMER	ALTW

DRAWN BY	Tony_leng
CHECKED BY	Yulong
APPROVED BY	Victor

DATE	2013-08-26
DATE	2013-08-26
DATE	2013-08-26

THIS DOCUMENT IS SUBJECT TO CHANGE WITHOUT NOTICE. IT IS CONFIDENTIAL AND A PROPERTY OF Amphenol LTW. DISCLOSURE TO THIRD PARTY HAS TO BE AUTHORIZED BY Amphenol LTW.