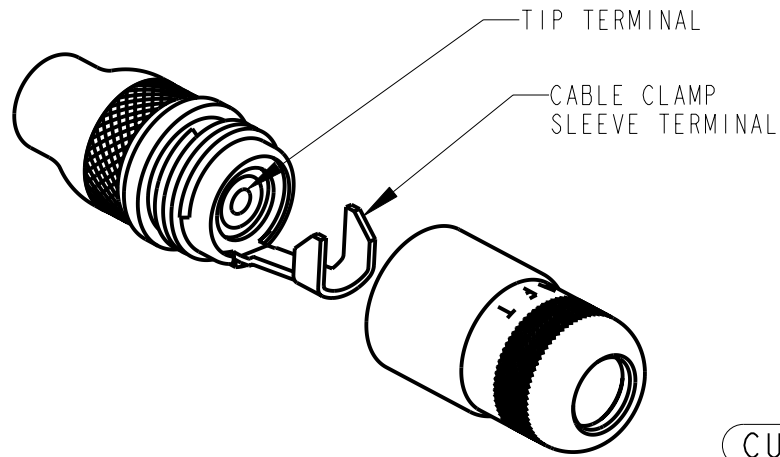


NOTES:

- MATERIALS:  
 HANDLE - COPPER ALLOY, NICKEL PLATED  
 HOUSING - COPPER ALLOY, NICKEL PLATED  
 SPRING - SPECIAL COPPER ALLOY, SILVER PLATED  
 TIP TERMINAL - COPPER ALLOY, TIN PLATED  
 SLEEVE TERMINAL - STEEL, TIN PLATED  
 INSULATORS - MYLAR AND PHENOLIC
- THIS PRODUCT IS RoHS COMPLIANT.



CUSTOMER DRAWING

					★ STAR SYMBOL DENOTES CRITICAL DIMENSION	THIS DRAWING DESCRIBES A DESIGN CONSIDERED PROPRIETARY IN NATURE, DEVELOPED AND MANUFACTURED BY SWITCHCRAFT INC. AND IS RELEASED ON A CONFIDENTIAL BASIS FOR IDENTIFICATION PURPOSES ONLY.				
					UNLESS OTHERWISE SPECIFIED	SIZE	WIDTH	MULT	LBS/M	TEMPER
					1. ALL DIMENSIONS IN INCHES - TWO PLACE DECIMALS ±0.01 - THREE PLACE DECIMALS ±0.005 - ANGLES ±1° - ALL DIA. CONCENTRIC WITHIN 0.005 T.I.R.	FINISH			MATERIAL	
					2. FEATURES ON THE SAME CENTERLINE MUST BE ALIGNED WITHIN ±0.002	SPEC No.			SPEC No.	
					3. REMOVE ALL BURRS	FIRST USED ON		SCALE		<b>Switchcraft®</b>
						2:1				
C	24386	6-10-03	TO	TJK		DATE DRAWN	BY	CHKD	APVD	
						13-Jan-11	TO	TO	TJK	
								1-13-11	1-13-11	
REV	ECO NUMBER	DATE	BY	APVD		NAME			PART No.	REV
					DO NOT SCALE DRAWING	2 CONDUCTOR TINI EXTENSION JAX			125	C
REVISIONS										