

4

3

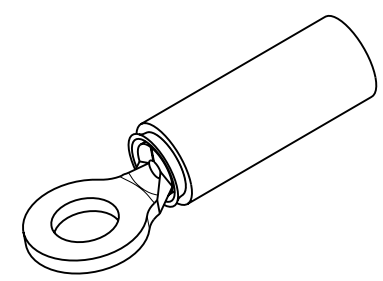
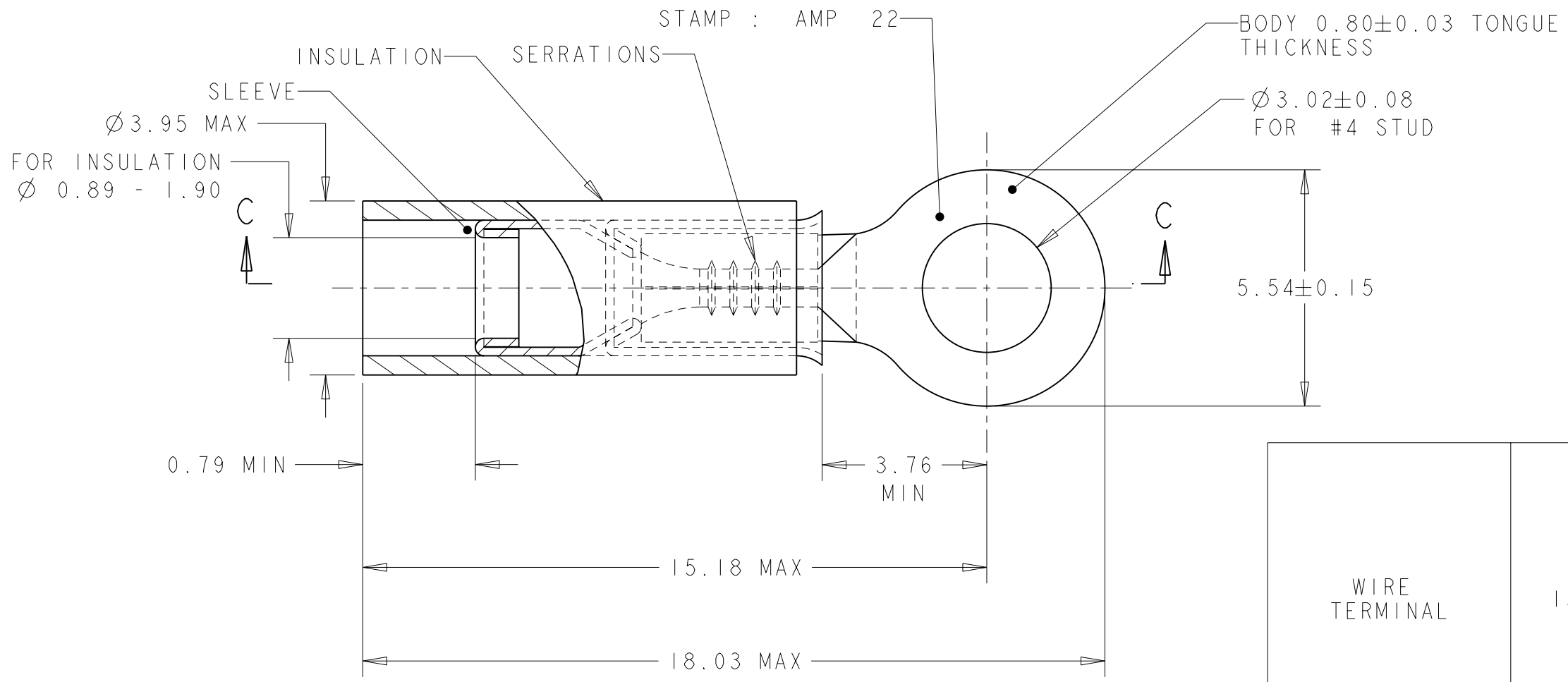
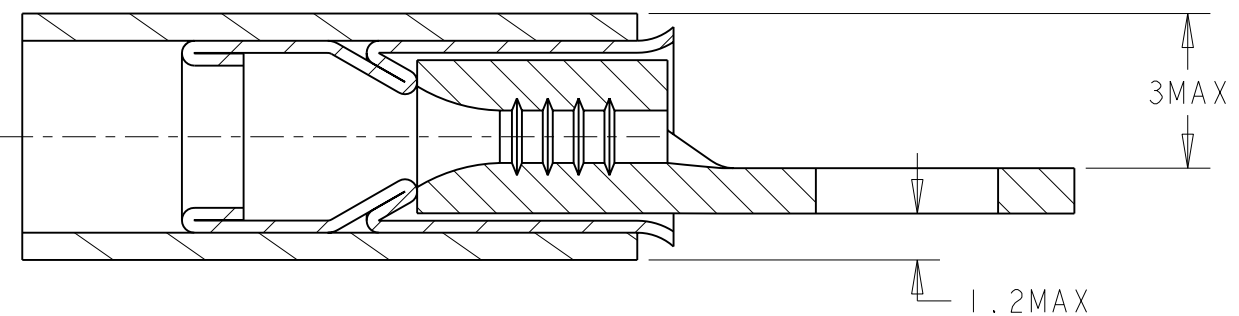
2

1

THIS DRAWING IS UNPUBLISHED. RELEASED FOR PUBLICATION 20
 © COPYRIGHT 20 BY TYCO ELECTRONICS CORPORATION. ALL RIGHTS RESERVED.

LOC	DIST	REVISIONS			
P	LTR	DESCRIPTION	DATE	DWN	APVD
F	00	B	ECR 07-025006	23OCT2007	JT GR

COUPE C-C



SCALE 3:1

WIRE TERMINAL	1577616-1	BODY : COPPER ANNEALED FINISH : NICKEL PLATED
		SLEEVE : COPPER ANNEALED FINISH : NICKEL PLATED
		INSULATION : PEEK COLOR : BROWN
DESCRIPTION	PART NUMBER	MATERIAL & FINISH

<small>THIS DRAWING IS A CONTROLLED DOCUMENT FOR TYCO ELECTRONICS CORPORATION IT IS SUBJECT TO CHANGE AND THE CONTROLLING ENGINEERING ORGANIZATION SHOULD BE CONTACTED FOR THE LATEST REVISION.</small>		DWN	19OCT2005		TYCO ELECTRONICS France SAS						
DIMENSIONS: mm		CHK	19OCT2005		BP 30039, 95301 CERGY-PONTOISE Cedex						
TOLERANCES UNLESS OTHERWISE SPECIFIED:		APVD	19OCT2005		NAME						
0 PLC ±- 1 PLC ±0.3 2 PLC ±- 3 PLC ±- 4 PLC ±- ANGLES ±5 FINISH SEE TABLE		PRODUCT SPEC	108-15356		TERMINAL, PEEK PIDG STRATO, 24-22 AWG						
MATERIAL	SEE TABLE	APPLICATION SPEC	114-15102	SIZE	A3	DRAWING NO	C=1577616	RESTRICTED TO	-		
		WEIGHT	0,55 gr	CUSTOMER DRAWING		SCALE	8:1	SHEET	1 OF 1	REV	B