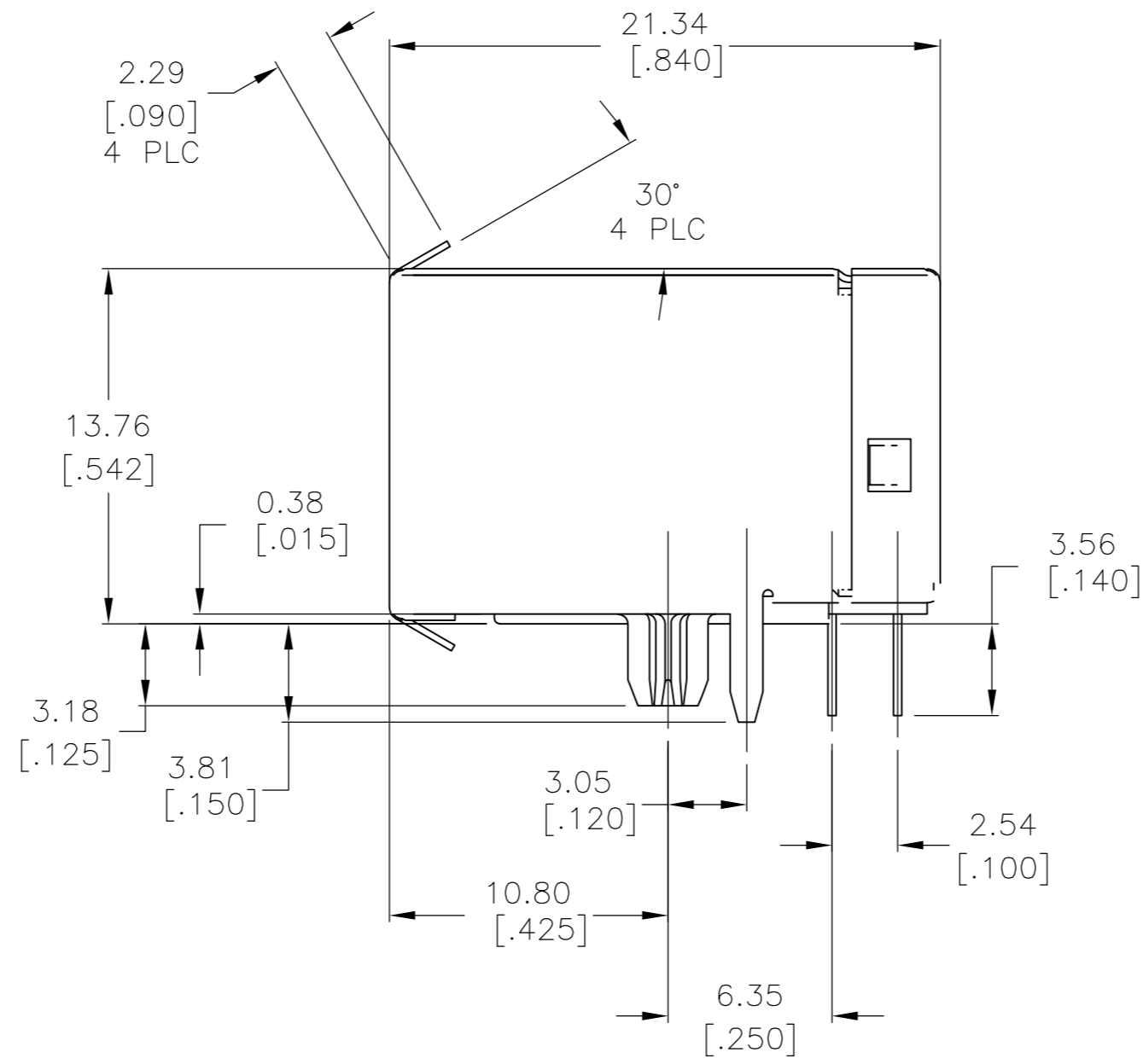
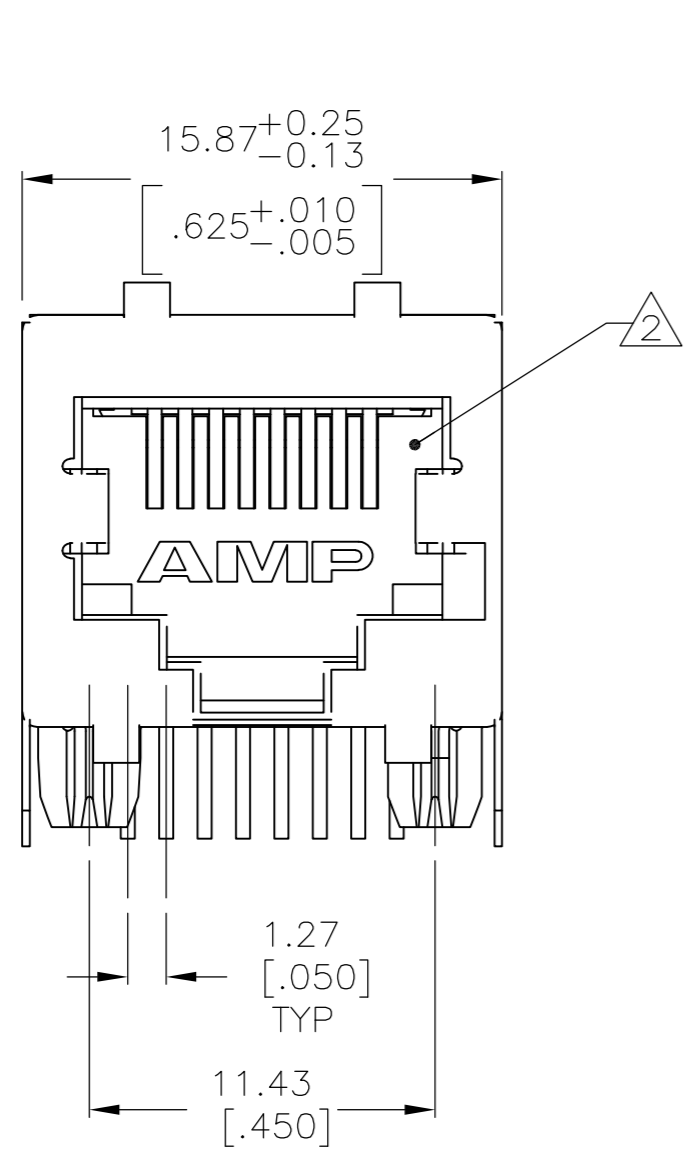
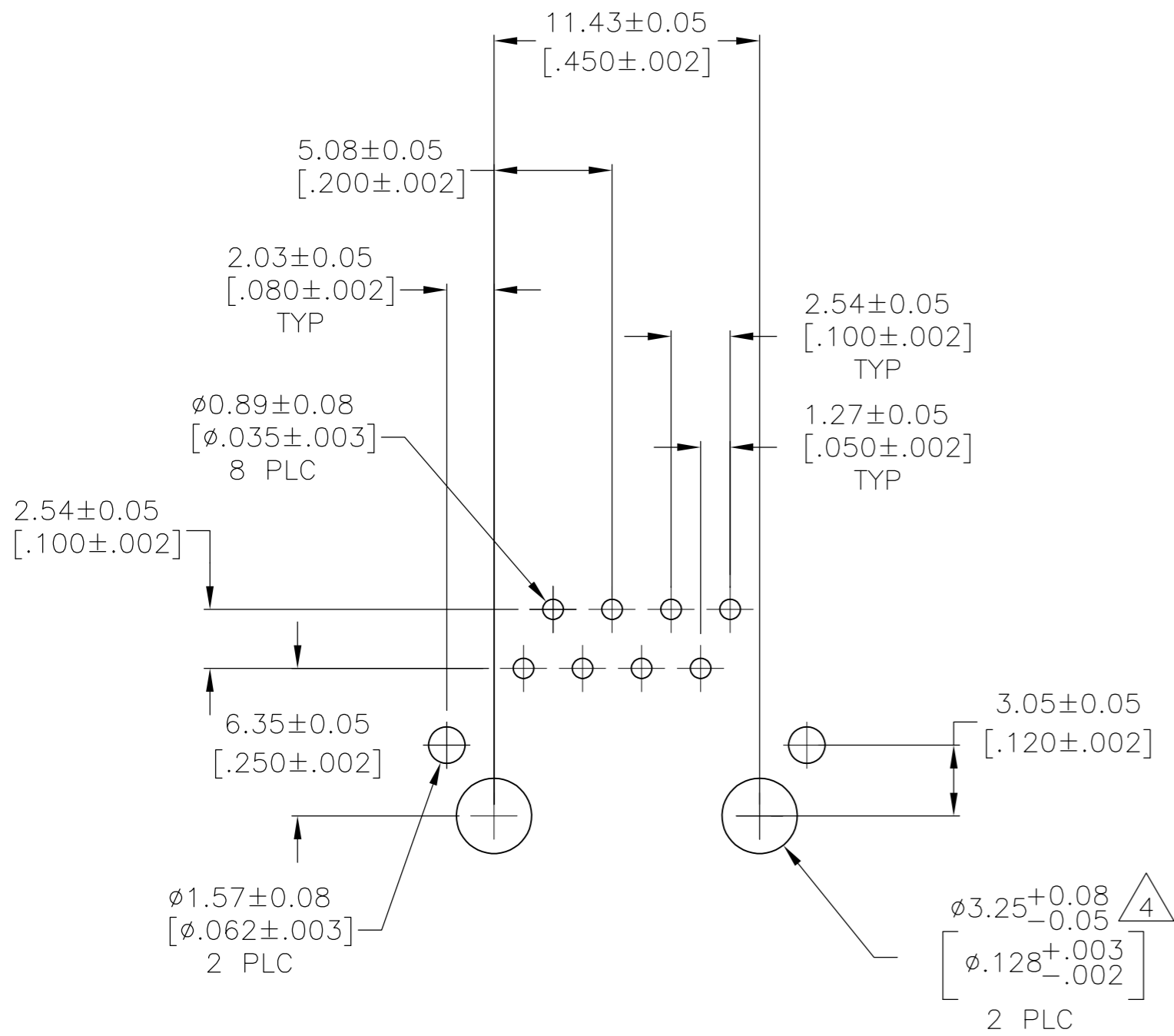


THIS DRAWING IS UNPUBLISHED. RELEASED FOR PUBLICATION
 © COPYRIGHT - By - ALL RIGHTS RESERVED.

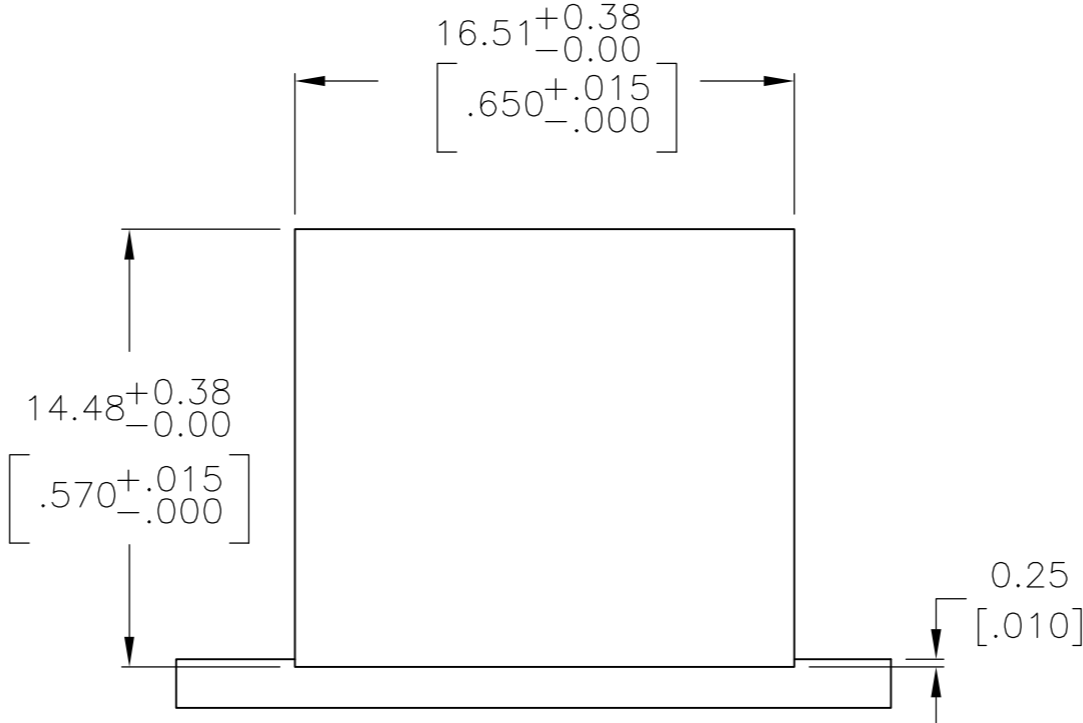
| LOC | | DIST | | REVISIONS | | | |
|-----|----|------|-----|---------------------------|---------|-----|------|
| AA | 00 | P | LTR | DESCRIPTION | DATE | DWN | APVD |
| | | B2 | | REVISED PER ECO-11-005033 | 28MAR11 | RK | HMR |



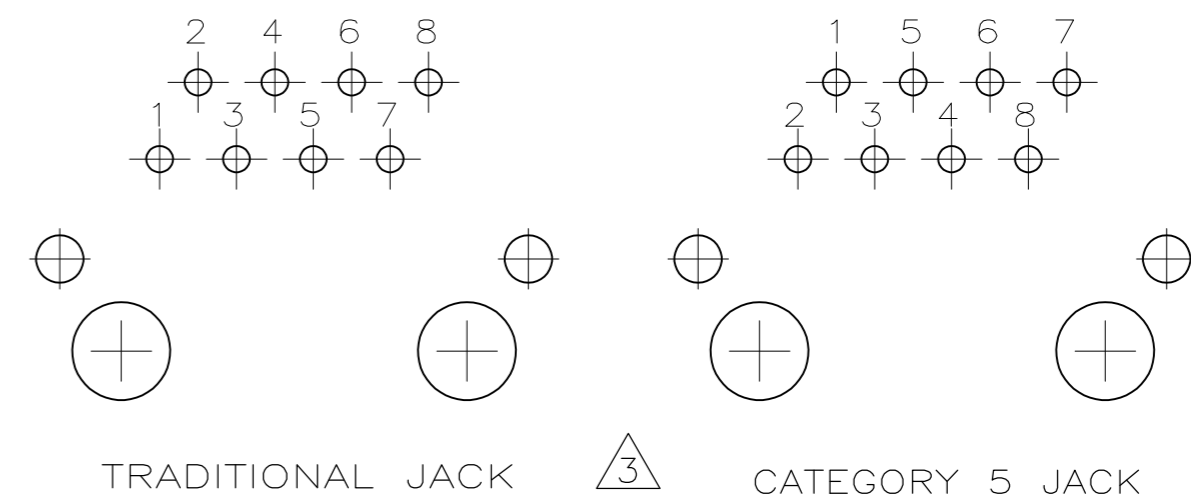
- 1 MATERIAL: HOUSING HIGH TEMPERATURE NYLON, BLACK, IR COMPATIBLE, UL 94V-0.
 TERMINALS - 0.33[.013] THICK PHOS BRONZE PLATED WITH 1.27µm[.000050] MINIMUM THICK HARD GOLD IN LOCALIZED AREA AND 3.81µm [.000150] MINIMUM THICK MATTE TIN IN SOLDER AREA OVER 1.27µm[.000050] MINIMUM THICK NICKEL UNDERPLATE.
 SHIELDS - 0.254[.010] THICK COPPER ALLOY PLATED WITH 1.27µm[.000050] MINIMUM NICKEL AND 2.03µm [.000080] HOT TIN DIP ON PCB GROUND TABS.
- 2 JACK CAVITY CONFORMS TO FCC RULES AND REGULATIONS, PART 68 SUBPART F.
- 3 CAUTION: CATEGORY 5 JACK SOLDER TAIL POSITIONS DO NOT FOLLOW SAME NUMBER SEQUENCE AS THAT OF TRADITIONAL JACKS.
- 4 USE #30 DRILL BIT OR 3.25mm DRILL BIT WHEN PRODUCING THESE PCB HOLES.



SUGGESTED PC BOARD LAYOUT
 COMPONENT SIDE



SUGGESTED PANEL CUTOUT



TRADITIONAL JACK 3 CATEGORY 5 JACK

5558344

5558344-1
 PART NUMBER

| | | | | |
|--|--|----------------------------------|---|-----------------|
| THIS DRAWING IS A CONTROLLED DOCUMENT. | | DWN T. PITTS/LA.MAYER 08JUNE2005 | | |
| | | CHK J.WESTMAN 08JUNE2005 | | |
| DIMENSIONS: mm | | APVD S.FLICKINGER 08JUNE2005 | NAME | |
| TOLERANCES UNLESS OTHERWISE SPECIFIED: | | PRODUCT SPEC 108-1163 | MODULAR JACK ASSEMBLY, 8 POSITION, RIGHT ANGLE, LOW PROFILE, SHIELDED, PANEL GROUND, CATEGORY 5 | |
| 0 PLC ± - | | APPLICATION SPEC 114-2048 | SIZE A2 | CAGE CODE 00779 |
| 1 PLC ± - | | WEIGHT - | DRAWING NO C=5558344 | RESTRICTED TO - |
| 2 PLC ± 0.25[.010] | | CUSTOMER DRAWING | | |
| 3 PLC ± - | | SCALE 2:1 | SHEET 1 OF 1 | REV B2 |
| 4 PLC ± - | | | | |
| ANGLES ± - | | | | |
| FINISH | | | | |
| SEE NOTE 1 | | | | |