



## Miniature 25 Amps • 1PDT To MIL-PRF-6106 DC Suppressed Coils

### SPECIFICATIONS

#### GENERAL

**Contact Arrangement** .....1PDT (1 Form C)  
**Weight**.....1.6 oz approx.  
 Designed to meet the requirements of MIL-PRF-6106

#### PERFORMANCE

##### Contact Rating (Note 1)

Resistive .....25 Amps @ 28 VDC or  
 115/208V 400 Hz  
 (Case Grounded)

Inductive .....15 Amps @ 115/208V 400 Hz  
 (Case Grounded)  
 10 Amps @ 28 VDC  
 (Case Grounded)

Motor.....10 Amps @ 28 VDC or  
 115/208V 400 Hz  
 (Case Grounded)

Lamp .....5 Amps @ 28 VDC or  
 115/208V 400 Hz  
 (Case Grounded)

**Life** .....50,000 operations minimum @ rated  
 resistive load, 125°C

**Pull In Power** .....500 mw approx.

**Operate/Release Time:** **DC Coil**  
 15 ms max  
 Excluding bounce time at nominal coil voltage

**Contact Bounce Time**.....1 ms max  
 @ rated contact load, 28 VDC

**Contact Voltage Drop:**  
 Before Life.....150 mv max @ 25 Amps  
 and 6 VDC  
 After Life .....175 mv max @ 25 Amps  
 and 6 VDC

#### ENVIRONMENTAL

**Temperature Range** .....-70°C to +125°C

**Vibration (Note 2)**.....0.12" DA 10 - 70 Hz  
 30 G's 70 - 3,000 Hz

**Shock (Operating)(Note 2)** .....200 G's 6 ms

#### ELECTRICAL CHARACTERISTICS

**Duty Cycle**.....Continuous

**Insulation Resistance**.....100 megohms  
 @ 500V 25°C

##### Dielectric Strength:

Sea Level:  
 Contact to Case .....1,250 VRMS  
 Contact to Coil ..... 1,250 VRMS  
 Coil to Case .....1,000 VRMS  
 Across Open Contacts .....1,250 VRMS

80,000 Feet:  
 All Points .....350 VRMS

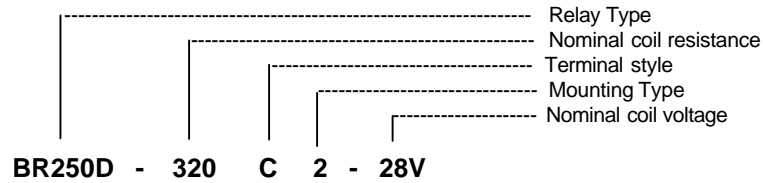
#### MIL-PRF-6106/19 QUALIFIED

##### Notes

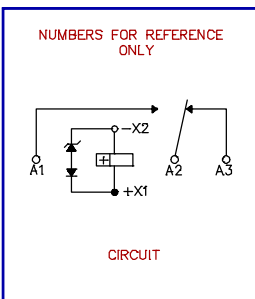
- For other ratings consult the factory.
- For applications requiring higher shock and vibration, consult the factory.

## COIL DATA

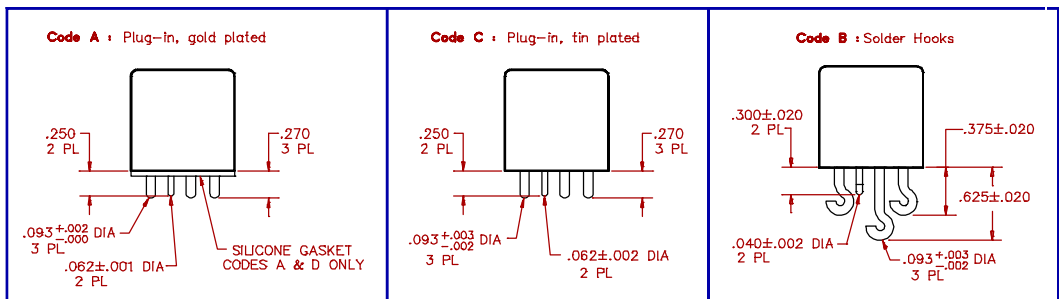
MODEL BR250D PART NUMBER	BR250D-20() <sup>( )</sup> -6V	BR250D-80() <sup>( )</sup> -12V	BR250D-320() <sup>( )</sup> -28V	BR250D-1000() <sup>( )</sup> -48V
NOMINAL COIL VOLTAGE	6 VDC	12 VDC	28 VDC	48 VDC
MAXIMUM COIL VOLTAGE	8 VDC	15 VDC	29 VDC	59 VDC
PULL IN VOLTAGE (MAX @ +125°C)	4.5 VDC	9 VDC	18 VDC	36 VDC
DROP OUT VOLTAGE (MAX)	1.8 VDC	3.5 VDC	5.1 VDC	11 VDC
MAXIMUM BACK EMF	9 VDC	18 VDC	42 VDC	72 VDC
COIL RESISTANCE ± 10% @ 25°C	20 OHMS	80 OHMS	320 OHMS	1000 OHMS



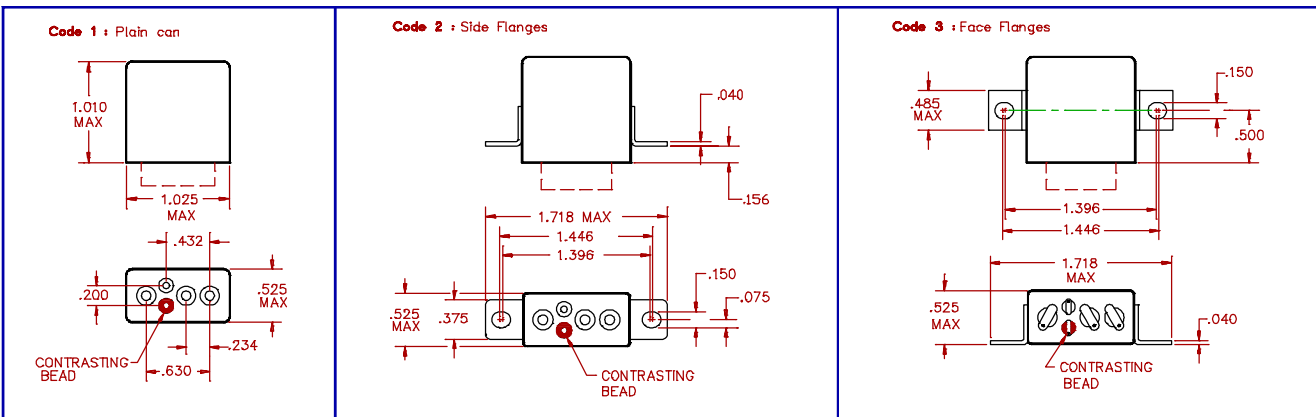
## SCHEMATIC TERMINAL VIEW



## TERMINAL STYLES



## MOUNTING CODES



## GENERAL NOTES

- Unless otherwise specified, all tests made at nominal coil voltages, @ 25°C.
- For special coil variations, switching configurations, terminals styles and mounting types, consult the factory.
- Unless otherwise specified, tolerances on decimal dimensions are ± .010".
- Specifications contained herein are subject to change without notice.