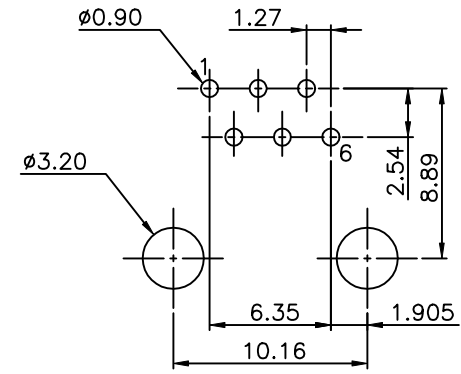
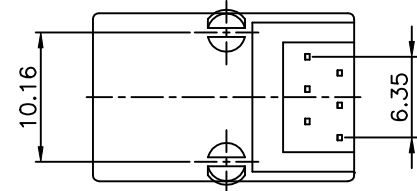
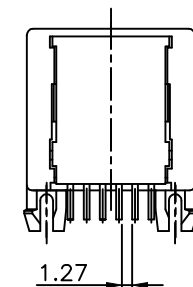
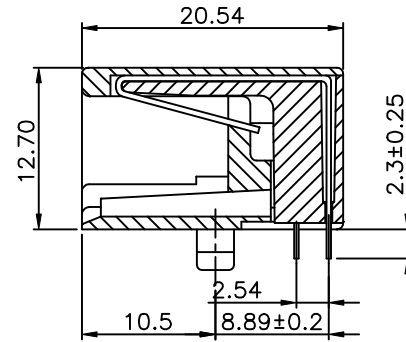
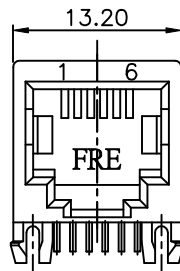


REVISION RECORD				
REV	ECO	DESCRIPTION	DRFT	CHKD



PC Board Layout  
Component Side Shown

**NOTES:**

ELECTRICAL:

- VOLTAGE RATING : 125 VAC RMS.
- CURRENT RATING : 1.5 AMP.
- CONTACT RESISTANCE : 40 MILLIOHMS MAX.
- INSULATION RESISTANCE: 1000 MEGOHMS MIN @ 500 VDC.
- DIELECTRIC STRENGTH : 1000 VAC RMS 60Hz, 1MIN.

MECHANICAL:

- HOUSING MATERIAL : PBT+30%.G.F UL94V-0.
- CONTACT MATERIAL : PHOSPHOR BRONZE t=0.35mm
- PLATING : GOLD PLATING OVER NICKEL.
- OPERATING LIFE : 750 CYCLES MIN.
- PCB RETENTION PRE-SOLDER : 1 LB MIN.
- PCB RETENTION POST-SOLDER: 10 LBS MIN.

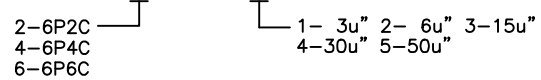
ENVIRONMENTAL:

- STORAGE : -40°C TO +85°C.
- OPERATION: 0°C TO 70°C.
- WAVE SOLDER TEMPERATURE: 230°C ~250°C( 3~5 SECONDS)

MATES WITH MODULAR PLUG CONFORMING TO  
FCC PART 68, SUBPART F.

CUL FILE NO. E163191

PART NUMBER: E596X-00P04X-L



DETACHED LISTS	← MM (INCH) →		DFTO Qianpu	DATE 5/21/05	FULL RISE ELECTRONIC CO., LTD	
	TOLERANCES EXCEPT AS NOTED		CHKDYICAN	DATE 2005/5/21		
	MM	±	MFO	DATE	TITLE	
	.0 ±0.20	±	APPLVSAMMY	DATE 2005/5/21	20.57 PCB JACK 6P	
	.00 ±0.15	±	MATERIAL :		DRAWING NO. GE593080-LC	
.000 ±0.075	±	ANGLES ±	QT'Y :	/PART NO. SEE NOTE		
THIRD ANGLE PROJECTION		FINISH :	SCALE : 2.5:1	DO NOT SCALE DRAWING		SIZE A3
				SHEET X		REV 0