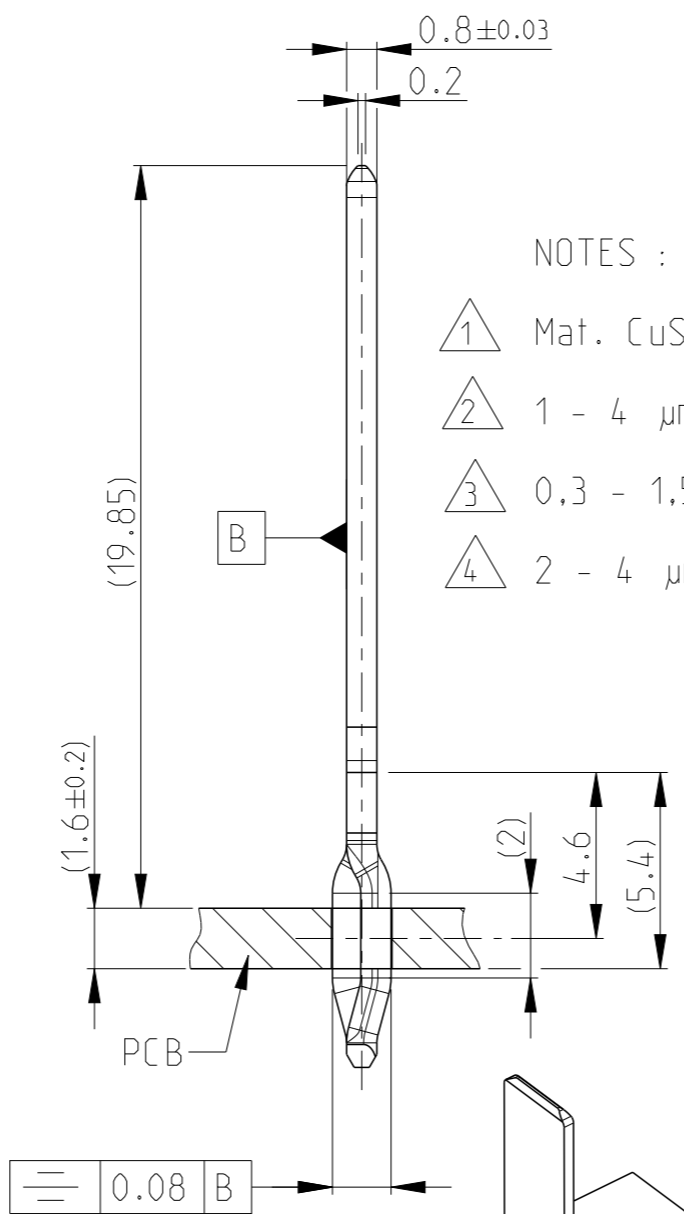
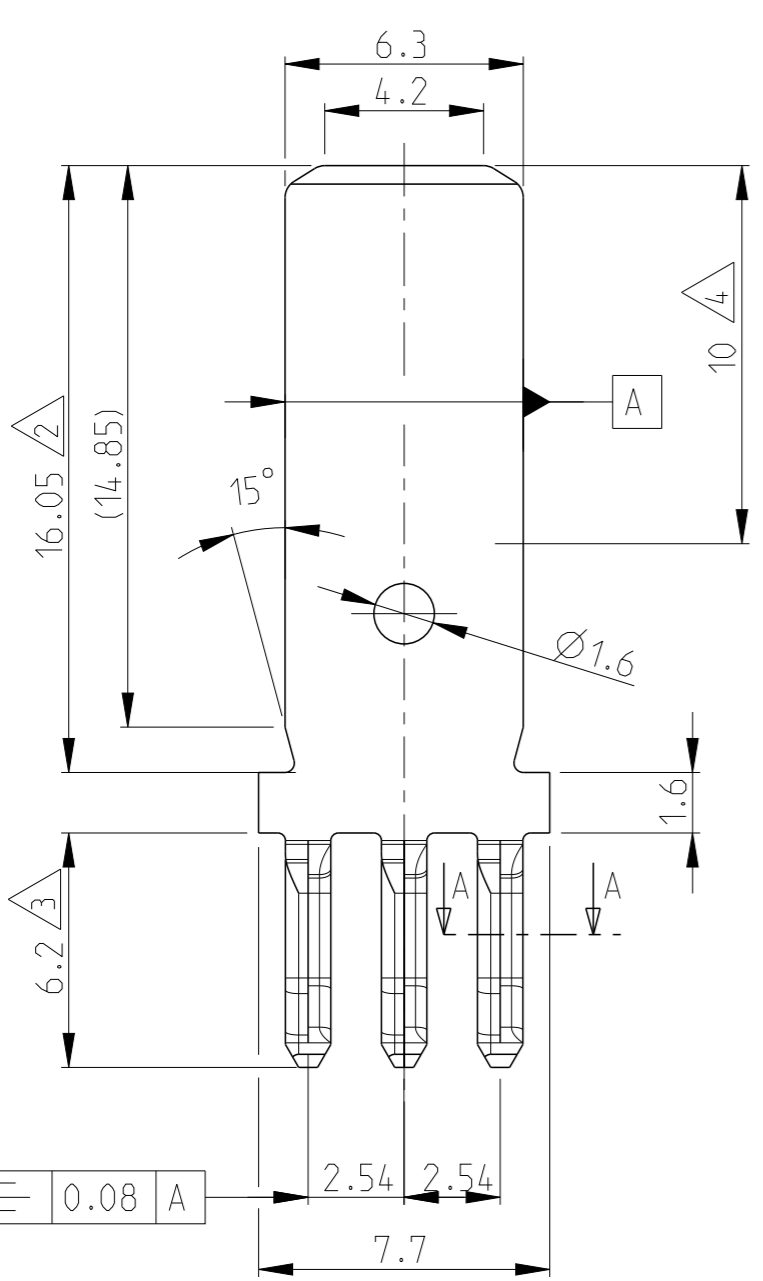


REVISIONS

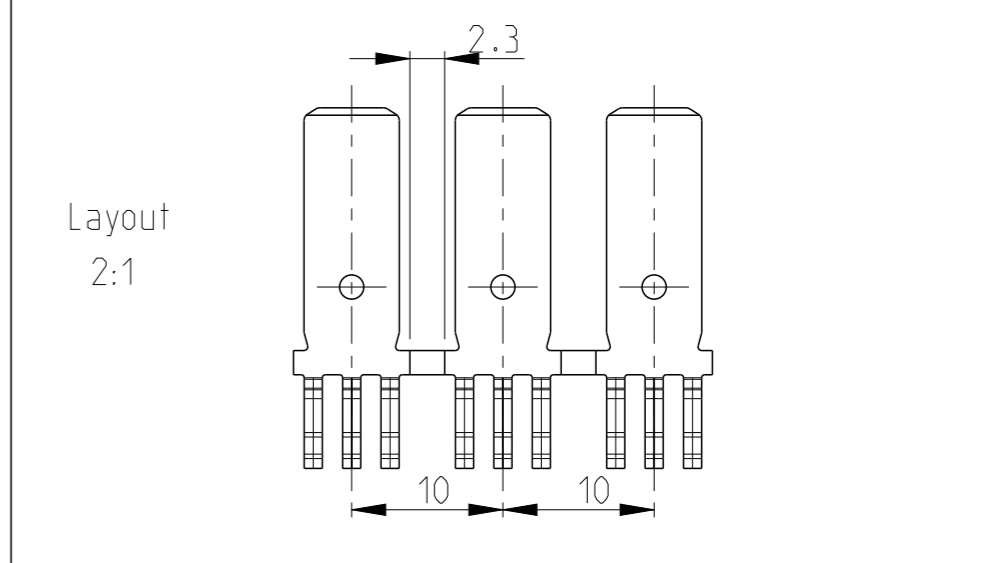
P	LTR	DESCRIPTION	DATE	DWN	APVD
	B2	ECR-09-015458	10-JULY-09	PKS	MW
	B3	PN 1740723-4 ADDED AS PRELIMINARY	29OCT2013	PKS	RRP



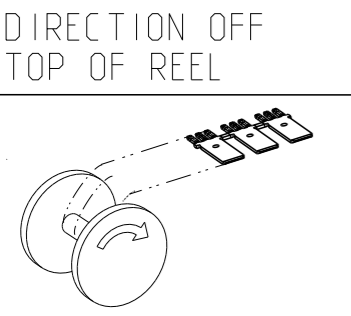
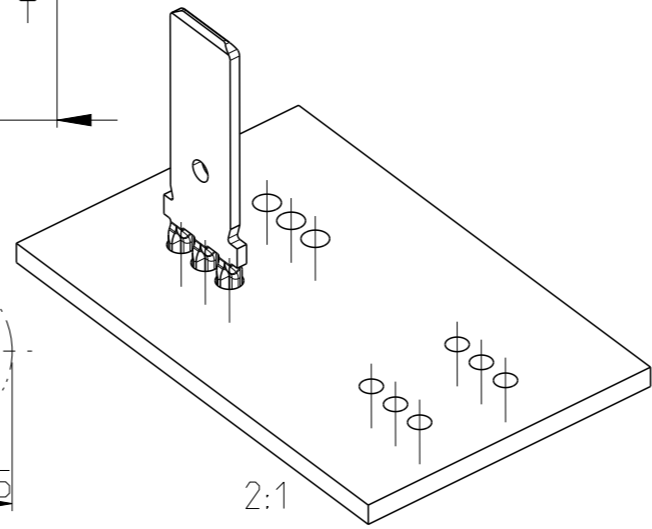
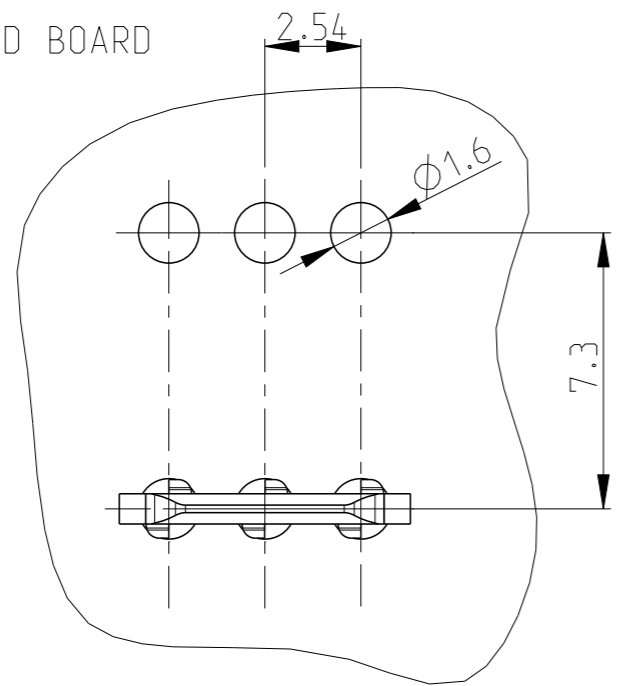
NOTES :

- 1 Mat. CuSn / THICKNESS 0.8 mm
- 2 1 - 4 µm Sn OVER NICKEL.
- 3 0.3 - 1.5 µm Sn OVER NICKEL.
- 4 2 - 4 µm Ag OVER NICKEL.

P.C.B. HOLE DIM. ACTION PIN  
 DRILLED HOLE : 1,6 ± 0,025 mm  
 FIN HOLE : 1,47 ± 0,07 mm  
 Cu - thickness : 0,025 to 0,075 mm  
 Sn - thickness : 0,0008 to 0,0012 mm or  
 Sn - thickness : 0,004 to 0,010



RECOMMENDED BOARD LAYOUT



PN 0-1740723-2 &  
 PN 0-1740723-3

PART-NO	REV.	MATERIAL	SURFACE	REEL
PRELIMINARY 0-1740723-4	1	Cu Sn	4 3	REUSED PLASTIC REEL
0-1740723-3	A	Cu Sn	2 3	REUSED PLASTIC REEL
0-1740723-2	B	Cu Sn	2 3	BOARD REEL

THIS DRAWING IS A CONTROLLED DOCUMENT.

DWN SENTHIL 01-JUN-09	 TE Connectivity NAME TAB WITH ACTION-PIN TAB MIT ACTION-PIN				
CHK RAJENDRA 01-JUN-09					
APVD M.WESTEN 01-JUN-09					
PRODUCT SPEC 108-94044					
APPLICATION SPEC 114-18789	SIZE A3	CAGE CODE 00779	DRAWING NO C=1740723	RESTRICTED TO -	
MATERIAL 1	FINISH 2 3	WEIGHT -	SCALE 5:1	SHEET 1 OF 1	REV B3

Customer Drawing