

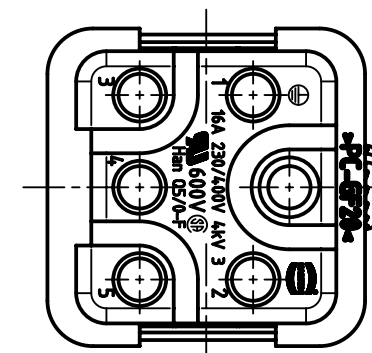
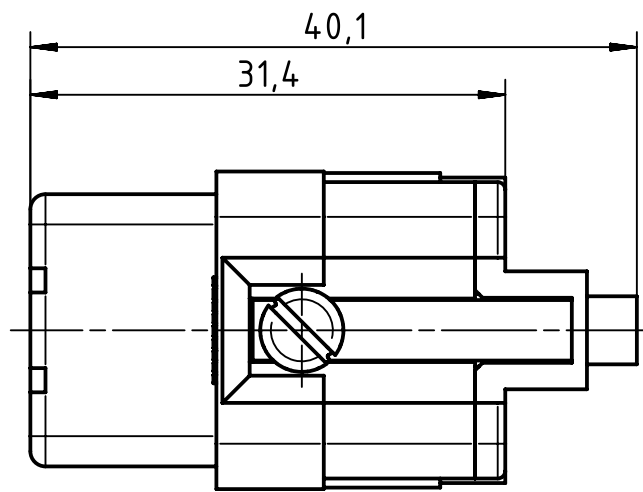
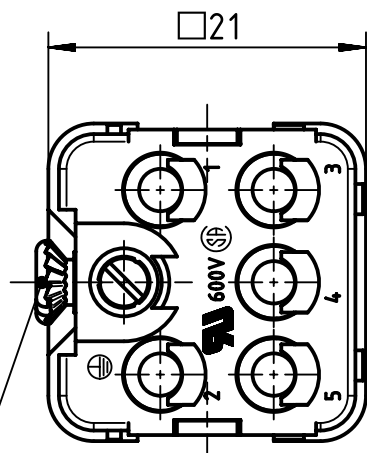
1 2 3 4 5 6

A

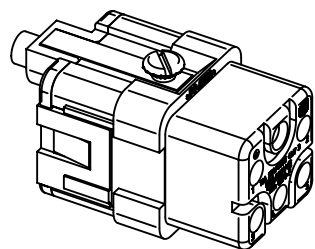
B


C

D



countersunk-head screw
M3x6-4.8, enclosed separately



	All rights reserved Department EL PD - DE	All Dimensions in mm Original Size DIN A4		Scale 2:1	Free size tol.	Ref.
		Created by VOLAR	Inspected by PRIESTER	Standardisation TIEMANNA	Date 2016-01-15	State Final Release
HARTING Electric GmbH & Co. KG D-32339 Espelkamp		Title Han Q 5/0-F			Doc-Key / ECM-Nr. 100125020/UGD/005/C 500000095374	
		Type TB	Number 09 12 005 3101		Rev. C	Page 1/1