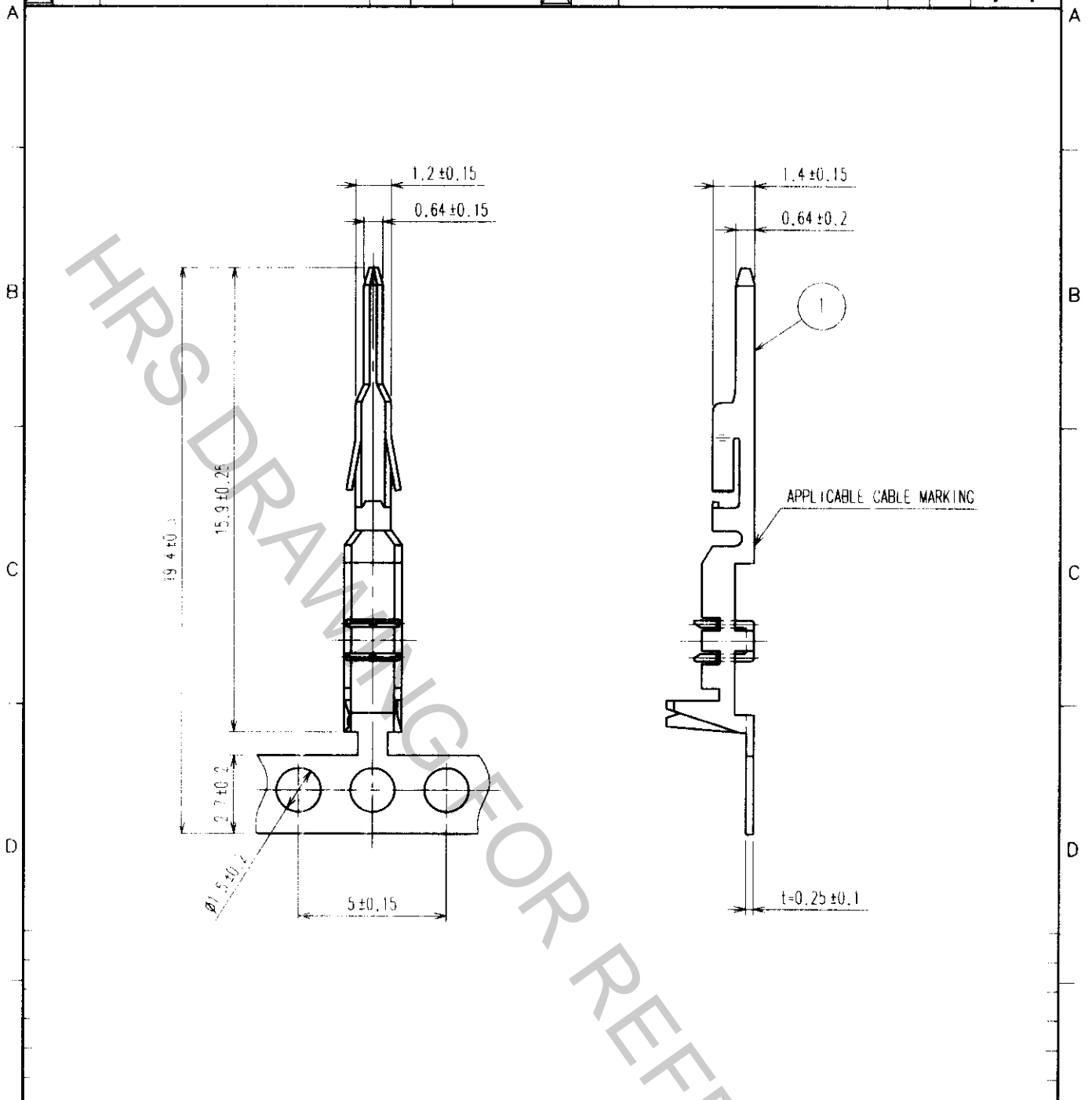


1	2	3	4						
COUNT	DESCRIPTION OF REVISIONS	BY	CHKD	DATE	COUNT	DESCRIPTION OF REVISIONS	BY	CHKD	DATE
△					△				
△					△				
△					△				



NOTE 1 APPLICABLE CABLE AWG26  
 2 1 REEL: 10000 CONNECTORS.

NO.	MATERIAL	FINISH, REMARKS	NO.	MATERIAL	FINISH, REMARKS
1	PHOSPHOR BRONZE	LEAD PLATED 1μ m MIN			

CODE NO. (OLD)		DRAWN	DESIGNED	CHECKED	APPROVED	RELEASED
		<i>S. Ono</i>	<i>S. Ono</i>	<i>T. Miyazaki</i>	<i>K. Katayama</i>	
		18.07.23	08.07.23	03.01.24	03.1.24	

SACLE 5 1 UNITS mm	DRAWING NO EDC4-080520	PART NO. DF1B-26PRF
	HIROSE ELECTRIC CO., LTD.	CODE NO CL541-0668-8

TO