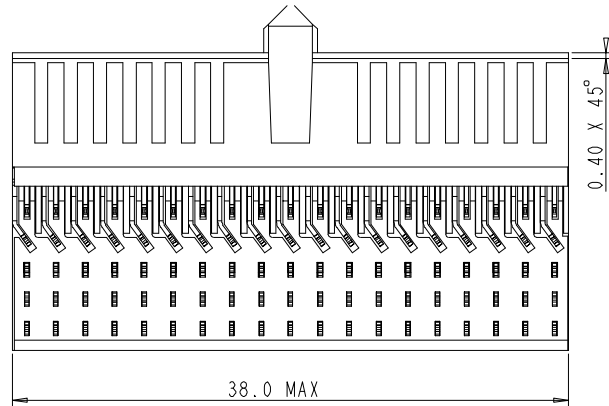
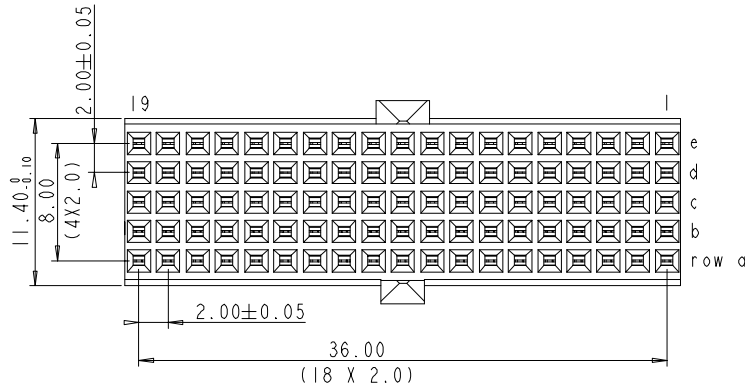


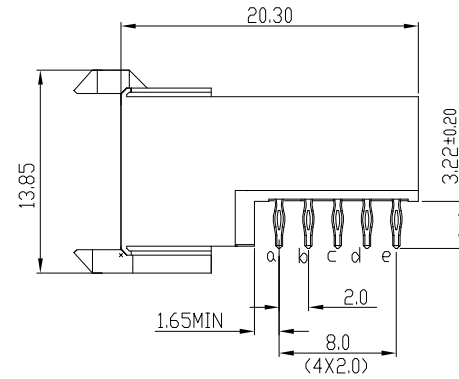
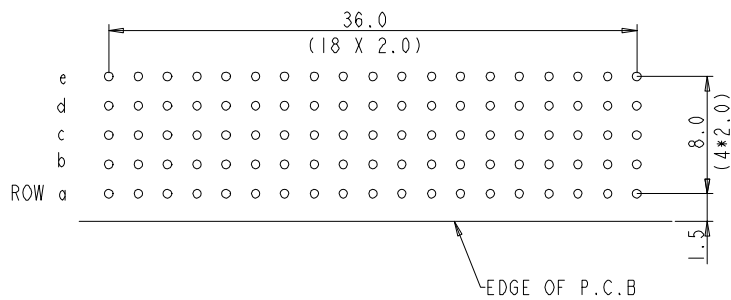
Tous droits strictement reserves. Reproduction ou communication a des tiers interdite sous quelque forme que ce soit sans autorisation ecrite du propriétaire. Propriete de c FCI. Droits de reproduction FCI.



All rights strictly reserved. Reproduction or issue to third parties in any form whatever is not permitted without written authority from the proprietor. Property of FCI. Copyright FCI.



LAY OUT
P.C.B HOLE



PERFORMANCE CHARACTERISTICS

CURRENT RATING: 1.5 A AT 20°C (FULLY LOADED)
1 A AT 70°C (FULLY LOADED)

RATED VOLTAGE: 500 V AC (CONT /CONT)

OPERATING TEMPERATURE : -55°C TO 125°C

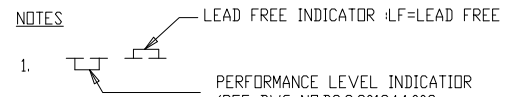
CONTACT RESISTANCE :20 mΩ MAX

INSERTION FORCE: 0.75N MAX/CONT

EXTRACTION FORCE : 0.15N MIN /CONT

INSULATION RESISTANCE: 10⁴ MΩ MIN

NOTES



1. PERFORMANCE LEVEL INDICATION (REF DWG NO.BS.C.201844.003)

2. THIS PRODUCT IS CSA APPROVED. THIS PRODUCT IS UL RECOGNIZED.

3.FOR RECOMMENDED PTH DIMENSIONS REFER DRAWING :BS.A.201572.001

4.THIS PRODUCT (LF) MEETS EUROPEAN UNION DIRECTIVES AND OTHER COUNTRY REGULATIONS AS DESCRIBED IN GS-22-008

rev	ecn no	dr	date
A	conversion version 02	KN	14-09-01
B	EC B10088	MF	20-11-01
C	DG05-0278	Kosor	02-08-05
D	DG10-0110	NZ	05-30-10

Material		Spec ref		
Mat code		✓	tolerance	projection
Heattreat			1DEC+02 1DEC 2DEC ± 0.1 2DEC ANGLES±1°DIEKEN	MM
Plating/Finish			size	Scale
Dr	N.OTTO	05-06-99	A4	1.500
Eng			Product family MILLIPICS	
Chr			Model Name	
Appr			Model Revision	
			REL Level	
FCI		title	MPACS 5+2R RA RCP CONN TYPE AB	
Pro/E file		catalog no	HM2R67PA5100----	
		dwg no	BSC201418042	
			CUSTOMER	sheet 1 of 1