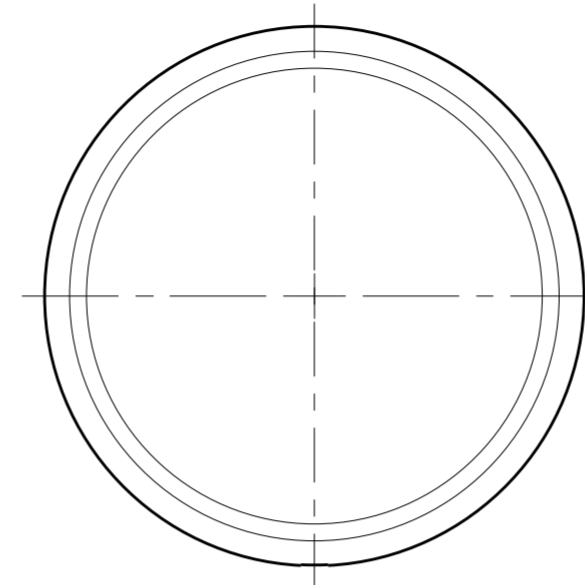
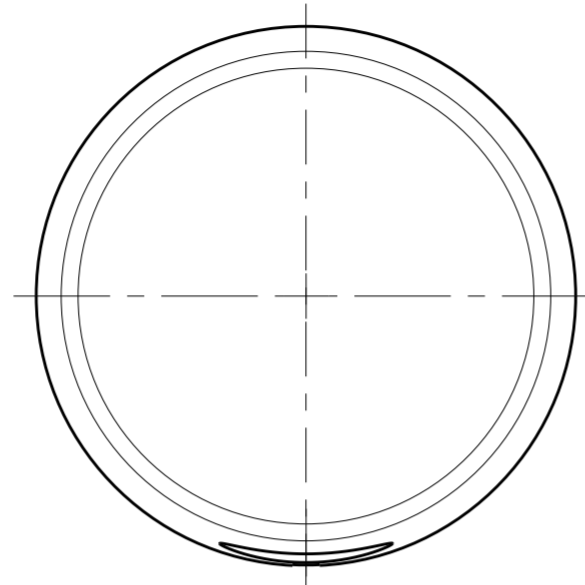
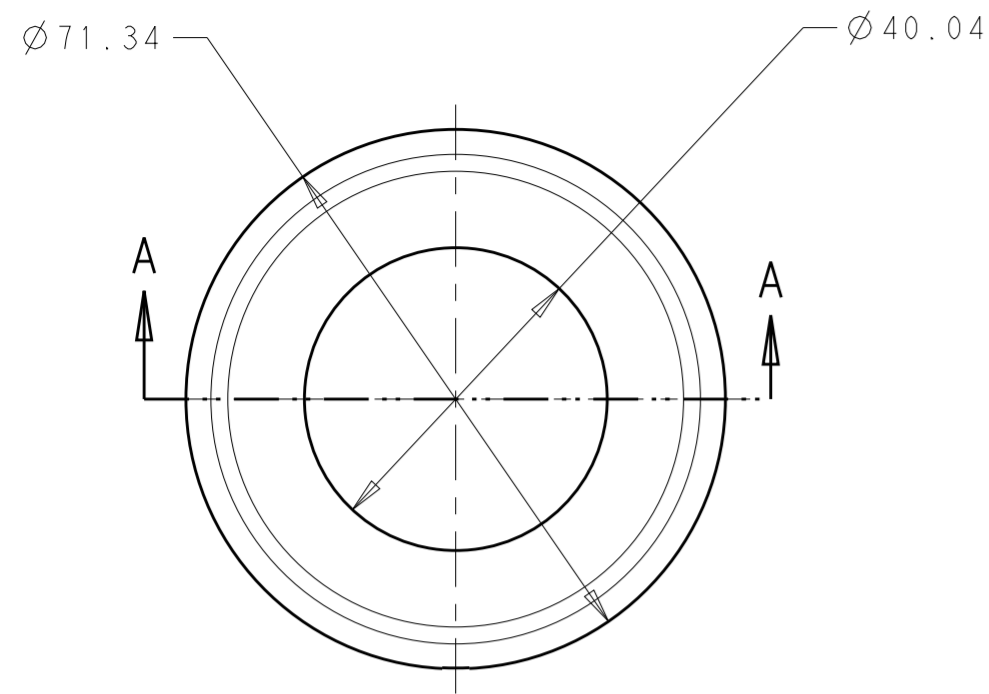


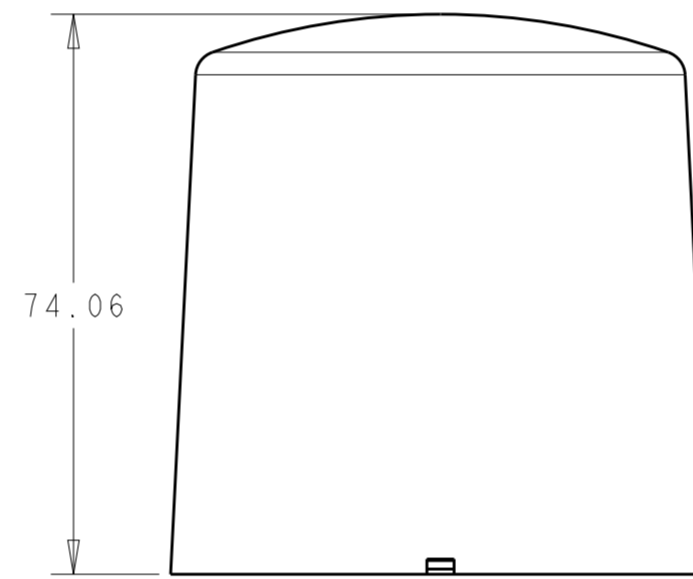
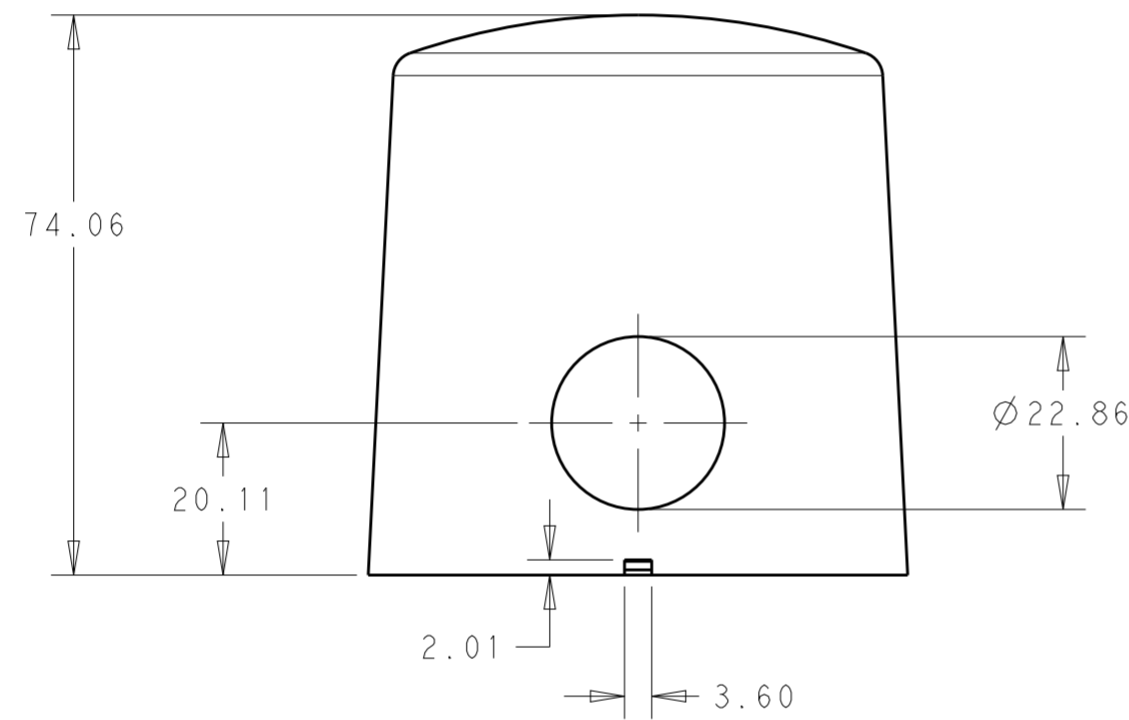
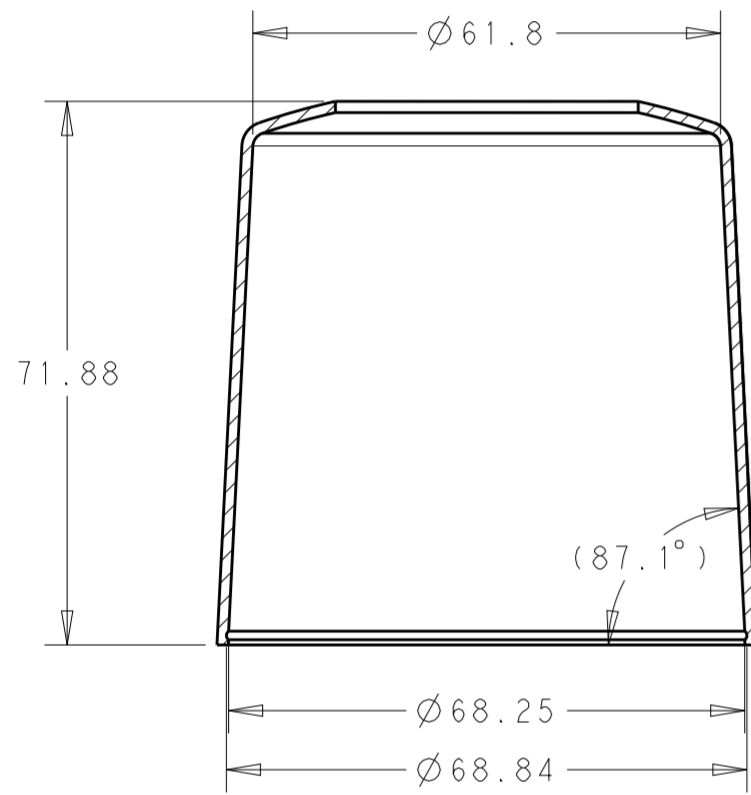
THIS DRAWING IS UNPUBLISHED. RELEASED FOR PUBLICATION 20
 © COPYRIGHT 20 BY - ALL RIGHTS RESERVED.

REVISIONS				
P	LTR	DESCRIPTION	DATE	APVD
A		REVISED PER ECO-17-010648	21JUL2017	RK DD
A1		REVISED PER ECO-18-004154	20MAR2018	SM DD

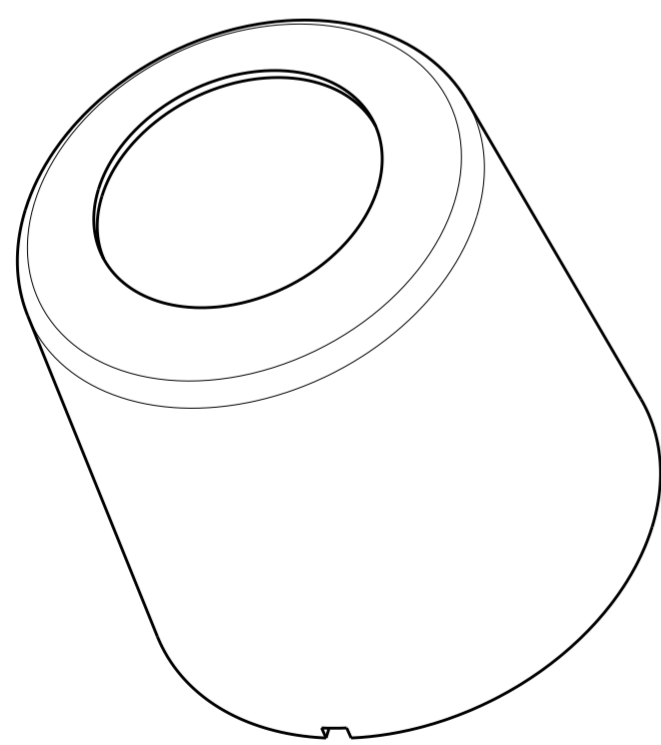
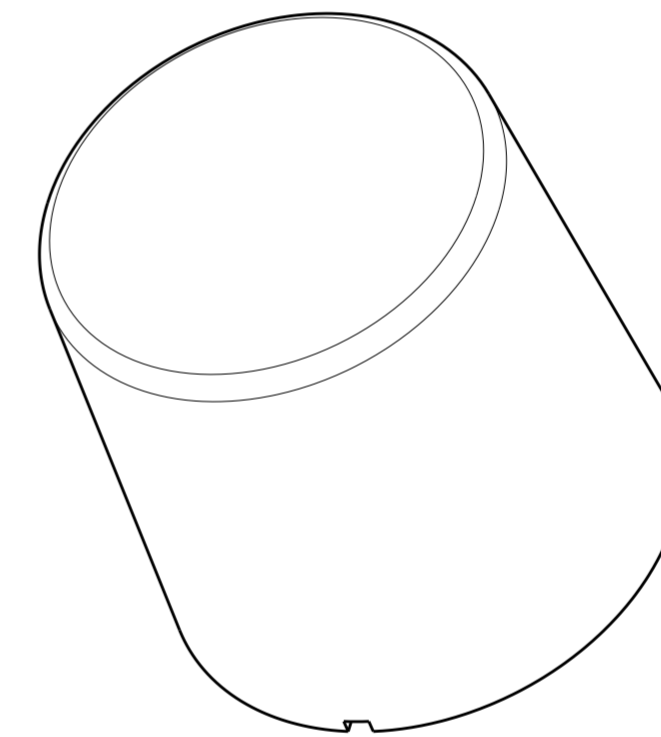


NOTES:

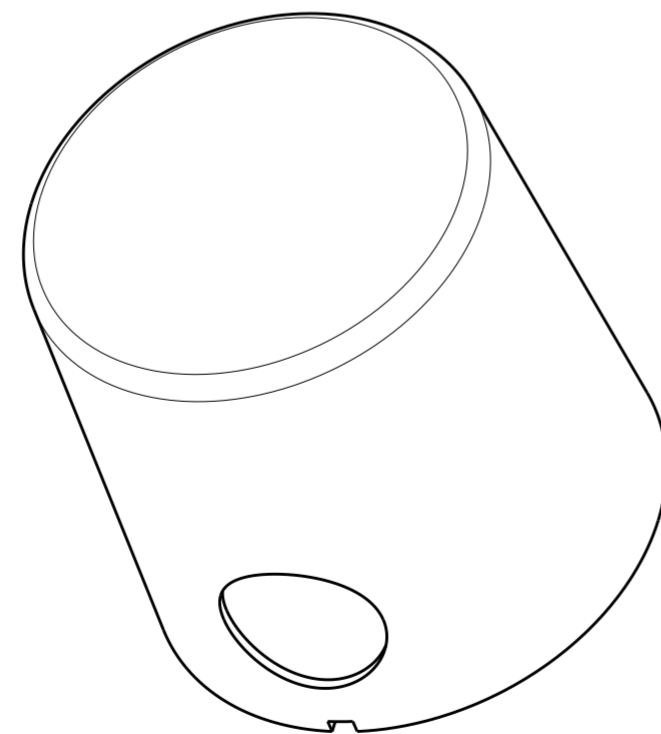
- 1 MATERIAL: PBT
- 2 MATING LIGHT CONTROLLER BASE ASSEMBLY TE P/N 2213871-1 OR 1-2213871-1
- 3 DOME P/N 2213748-1 OR 1-2213748-1 TO BE USED WITH SLEEVE P/N 2213805.
- 4 MAX ALLOWABLE PCB DIAMETER= Ø66.625
- 5 OBSOLETE



2-2213805-0
SHOWN



2213805-1, 2213805-2
SHOWN



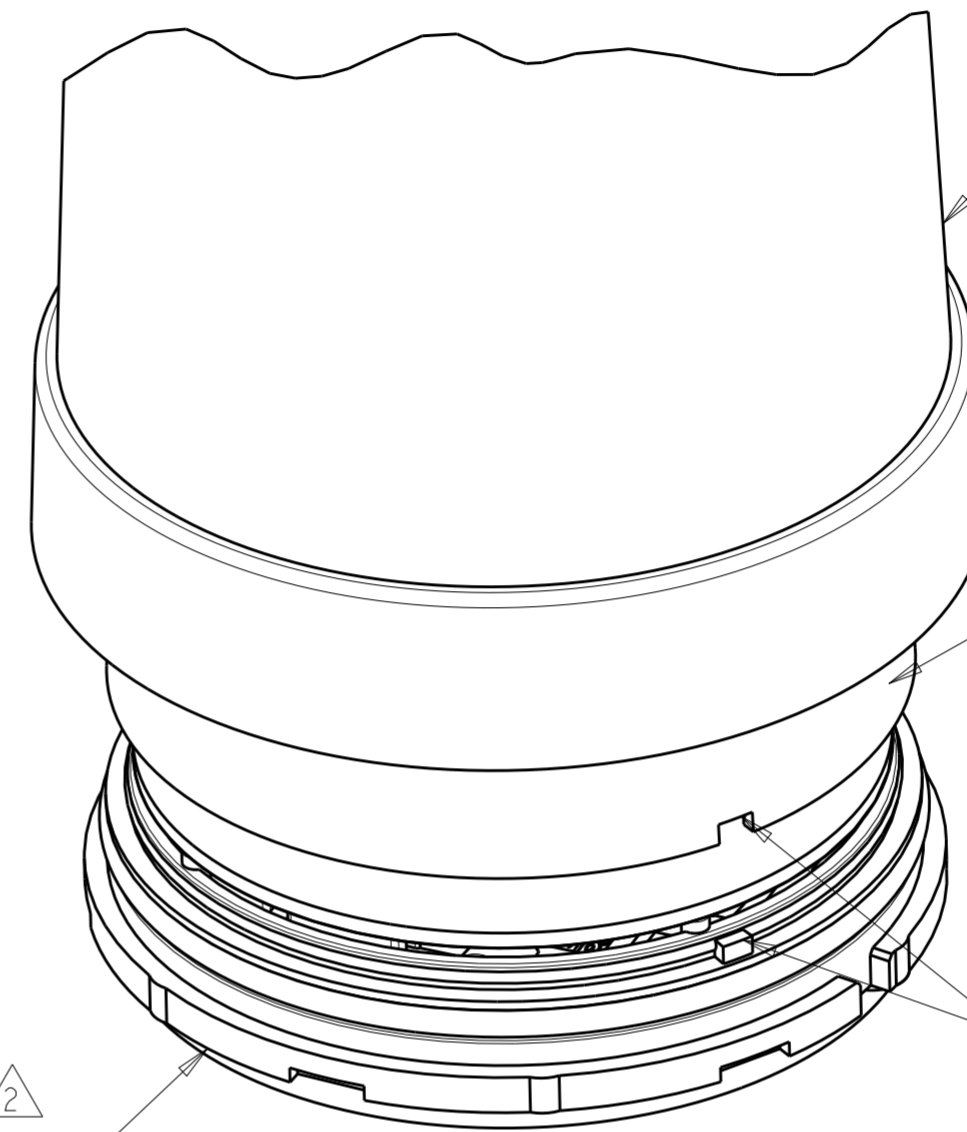
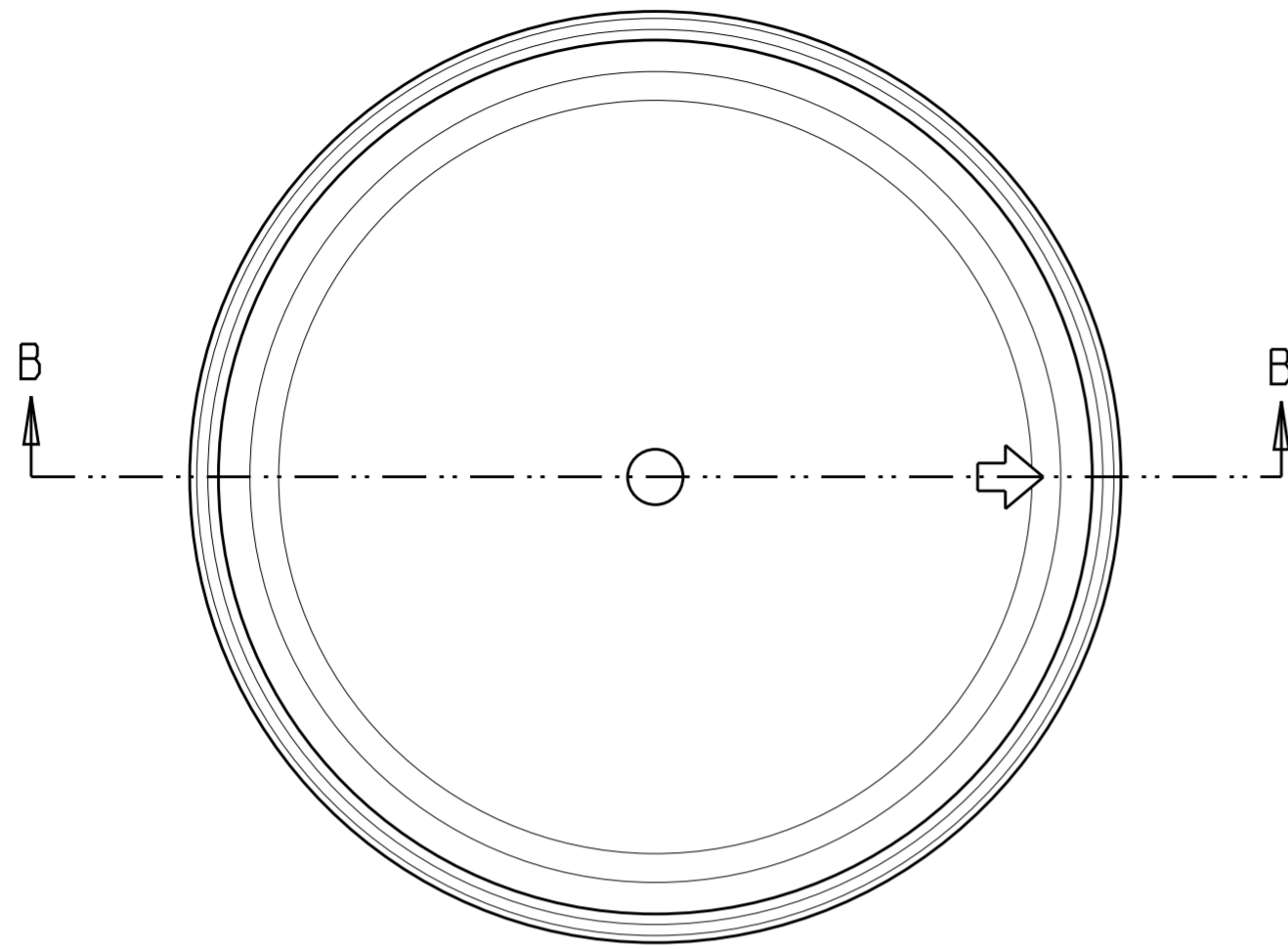
1-2213805-1
SHOWN

NO HOLE	BLUE	2-2213805-0
SIDE HOLE	JET BLACK	1-2213805-1
TOP HOLE	WHITE ALUMINUM	2213805-2
TOP HOLE	JET BLACK	2213805-1
DESCRIPTION	COLOR	PART NO.

DIMENSIONS:		TOLERANCES UNLESS OTHERWISE SPECIFIED:		DWN		CHK		APVD		NAME	
mm		0 PLC	±	J. SHAFFER	06APR2016	E. HOWARD	06APR2016			STE TE Connectivity	
		1 PLC	±0.3							SLEEVE, CONTROLLER, LIGHT BASE, MEDIUM, 76 DIA	
		2 PLC	±0.25							108-32125	
		3 PLC	±							114-32159	
		4 PLC	±							SIZE A2	
		ANGLES	±							CAGE CODE -	
		FINISH	-							DRAWING NO. C-2213805	
			-							RESTRICTED TO -	
MATERIAL	1									SCALE 1:1 SHEET 1 OF 2 REV A1	
										CUSTOMER DRAWING	

THIS DRAWING IS UNPUBLISHED. RELEASED FOR PUBLICATION 20
 © COPYRIGHT 20 BY - ALL RIGHTS RESERVED.

REVISIONS				
P	LTR	DESCRIPTION	DATE	APVD
-	-	SEE SHEET 1	-	-



DOME P/N: 2213748-1
 1-2213748-1

SLEEVE P/N: 2213805-1
~~2213805-2~~
 1-2213805-1
 2-2213805-0

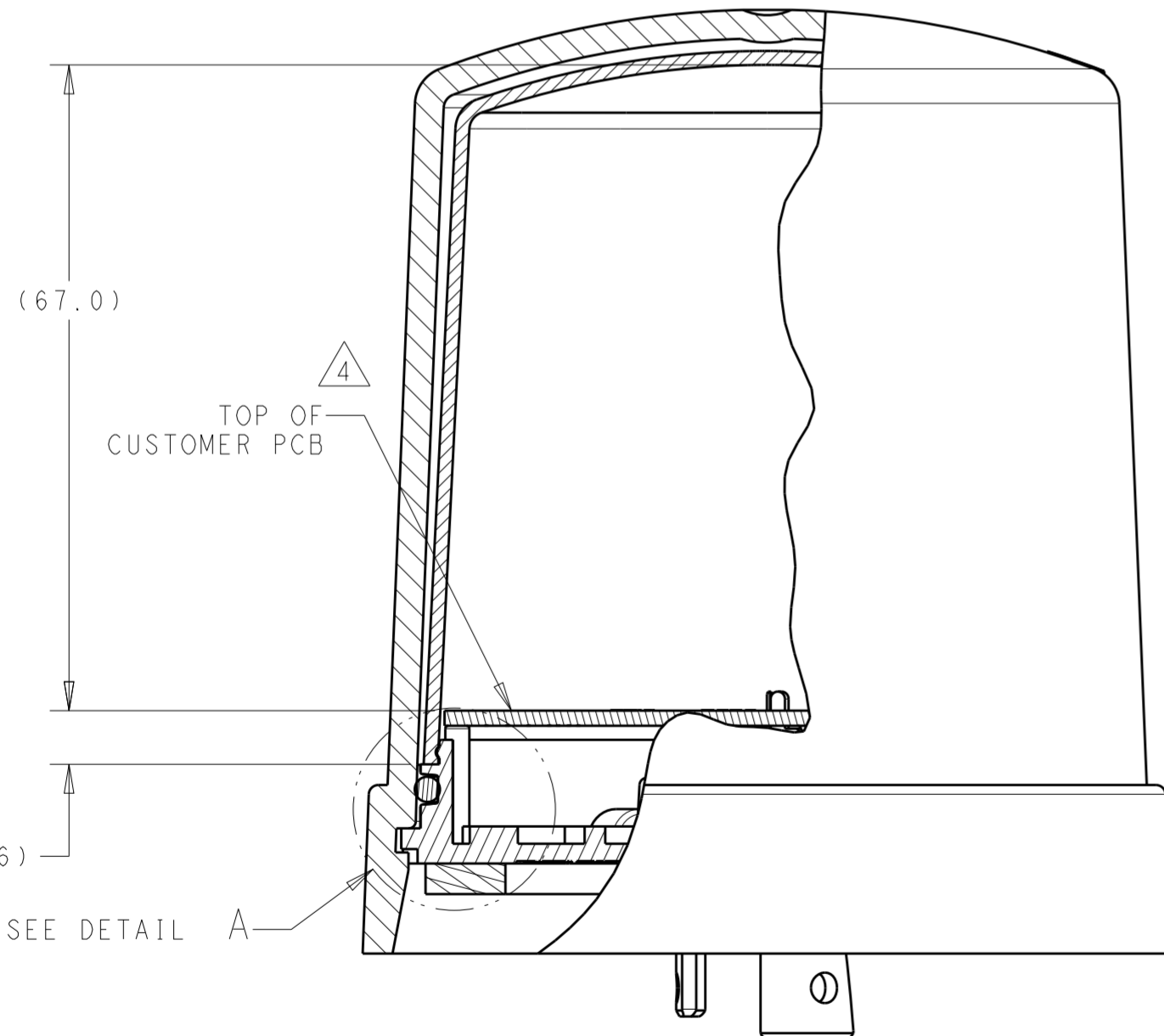
ALIGN KEY FEATURE IN SLEEVE TO KEY IN BASE

BASE ASSEMBLY:
 2213871-1
 1-2213871-1

SLEEVE CONTACTS
 BASE SURFACE

O-RING

DETAIL A
 SCALE 3:1



SECTION B-B
 SCALE 3:2

THIS DRAWING IS A CONTROLLED DOCUMENT.		DWN J. SHAFFER 06APR2016	TE Connectivity	
		CHK E. HOWARD 06APR2016		
DIMENSIONS:		APVD -	NAME SLEEVE, CONTROLLER, LIGHT BASE, MEDIUM, 76 DIA	
mm	TOLERANCES UNLESS OTHERWISE SPECIFIED:	PRODUCT SPEC 108-32125	SIZE A2	
	0 PLC ±	APPLICATION SPEC 114-32159	CAGE CODE -	DRAWING NO C-2213805
	1 PLC ±0.3	WEIGHT -	SCALE 1:1	SHEET 2 OF 2
	2 PLC ±0.25	CUSTOMER DRAWING	REV A1	
	3 PLC ±			
	4 PLC ±			
	ANGLES ±			
	FINISH -			
	-			