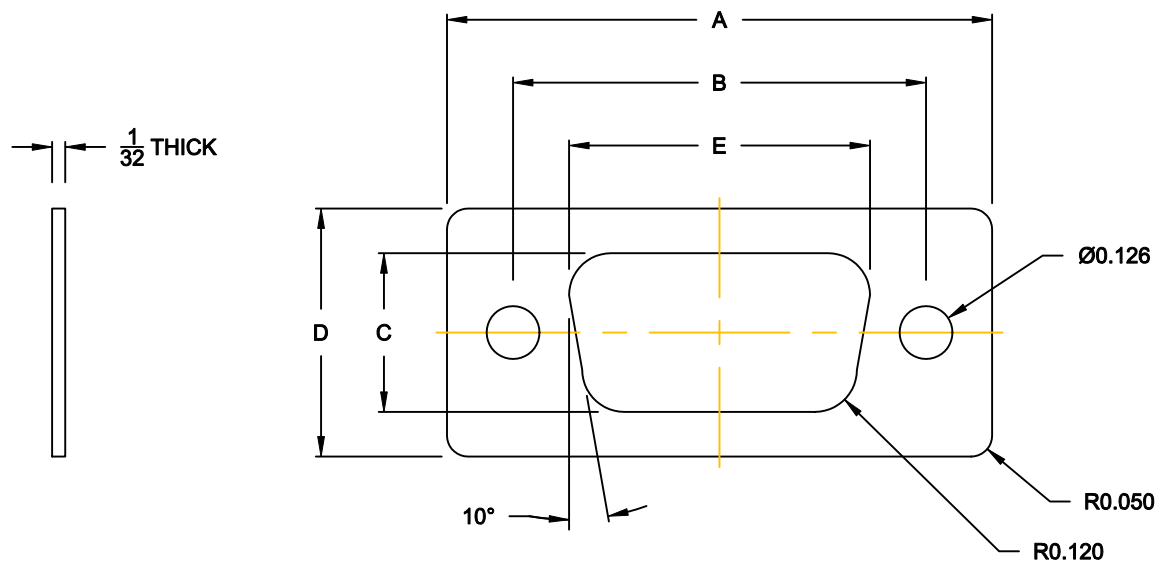


DESCRIPTION: SEALING FLANGE WITH ADHESIVE 1 SIDE ONLY

MATERIAL: 0.031" THICK SILICONE - UL94-HB WITH ADHESIVE ONE SIDE ONLY



**SFP67SS YY**  
 SERIES \_\_\_\_\_  
 SHELL SIZE \_\_\_\_\_

DIMENSIONS					
SHELL SIZE	A	B	C	D	E
9	1.299	0.984	0.378	0.591	0.717
	32.99	24.99	9.60	15.01	18.21
15	1.614	1.311	0.378	0.591	1.039
	41.00	33.30	9.60	15.01	26.39
25	2.165	1.850	0.378	0.591	1.583
	54.99	46.99	9.60	15.01	40.21
37	2.835	2.500	0.378	0.591	2.228
	72.01	63.50	9.60	15.01	56.59

DO NOT SCALE FROM DRAWING

	THESE DRAWINGS AND SPECIFICATIONS ARE THE PROPERTY OF NorComp AND SHALL NOT BE REPRODUCED, COPIED OR USED AS THE BASIS FOR THE MANUFACTURE OR SALE OF APPARATUS WITHOUT WRITTEN PERMISSION.		DRAWN: <b>P. JENKINS</b>	DATE: <b>12-10-10</b>
			CHECKED:	DATE:
<h1>NorComp</h1>		SCALE: <b>2:1</b>	SHEET <b>1</b> OF <b>1</b>	REV <b>2</b>
		DWG NO. <b>SFP67SSYY</b>		

RoHS COMPLIANT