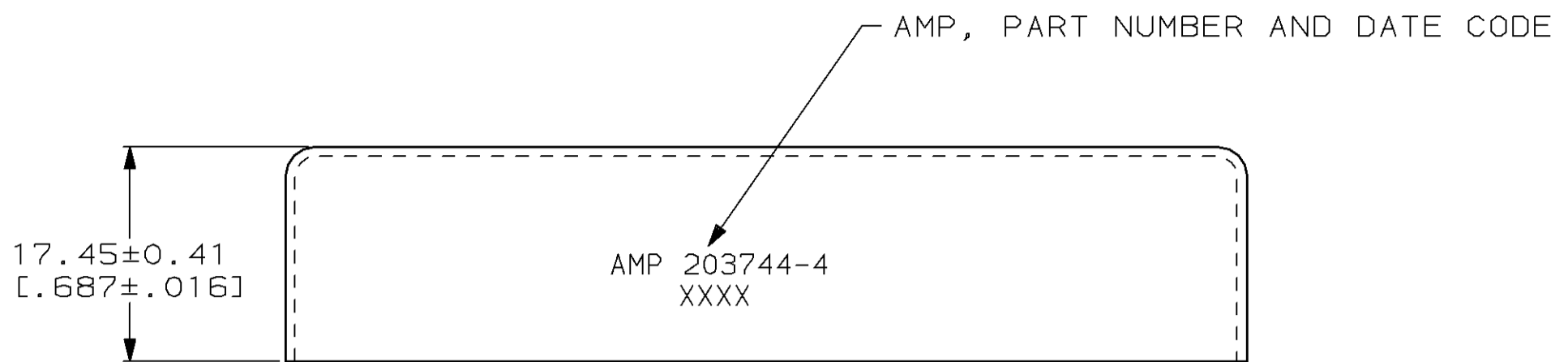
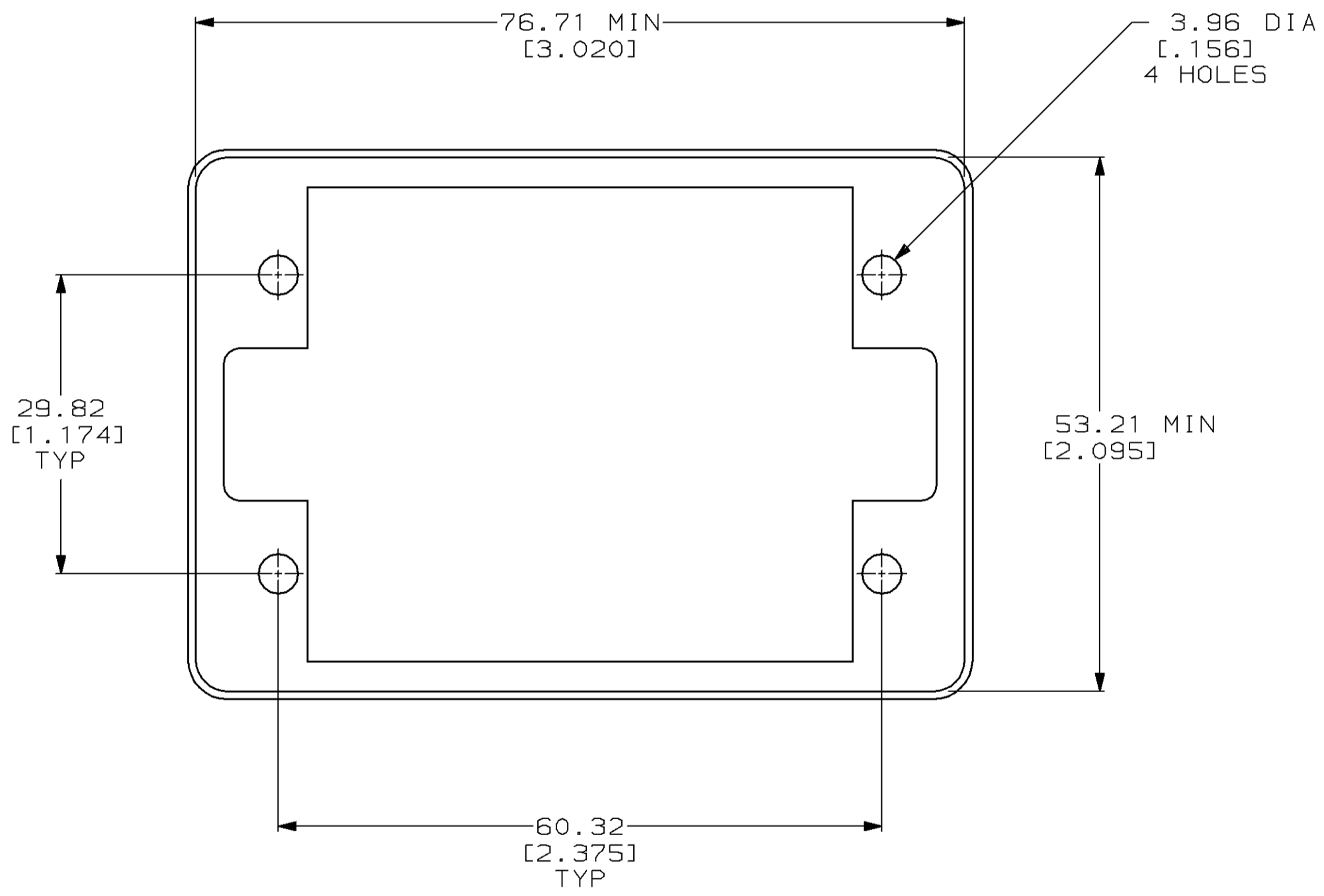


THIS DRAWING IS UNPUBLISHED. RELEASED FOR PUBLICATION  
 BY AMP INCORPORATED. ALL RIGHTS RESERVED.

LOC	DIST	REVISIONS			
P	LTR	DESCRIPTION	DATE	DWN	APVD
BD	36	D	REDRAWN PER EC 0020-930-95	28 SEP 95	-



- ① 0.79 [0.031] THICK CARBON STEEL.
- ② 5.08µm [0.000200] MIN NICKEL.



203744-4  
 PART NUMBER

THIS DRAWING IS A CONTROLLED DOCUMENT FOR AMP INCORPORATED. IT IS SUBJECT TO CHANGE AND THE CONTROLLING ENGINEERING ORGANIZATION SHOULD BE CONTACTED FOR THE LATEST REVISION.		DWN C. DORWART 28 SEP 95	AMP AMP Incorporated Harrisburg, PA 17105-3608
		CHK R. STONE 29 SEP 95	
DIMENSIONS: mm [INCH]		APVD G. STEINHAEUER 04 OCT 95	NAME
TOLERANCES UNLESS OTHERWISE SPECIFIED:		PRODUCT SPEC	PIN HOOD, 160 POSITION, EXTERNAL, M SERIES
0 PLC ±-		APPLICATION SPEC	SIZE
1 PLC ±-			CAGE CODE
2 PLC ±0.13 [0.005]			DRAWING NO
3 PLC ±-			A2 00779 C-203744
4 PLC ±-			SCALE
ANGLES ±-			2:1
FINISH		WEIGHT	SHEET
①		-	1 OF 1
②		CUSTOMER DRAWING	REV
			D