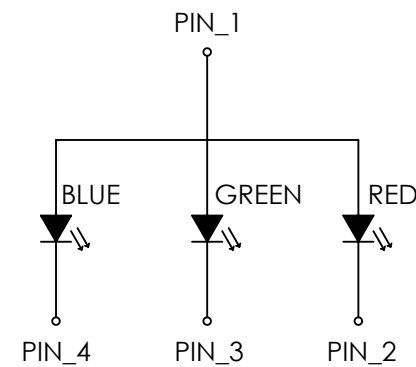


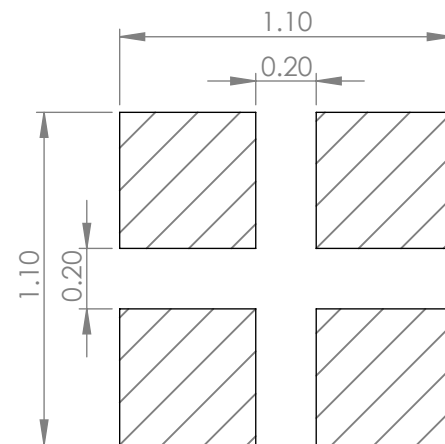
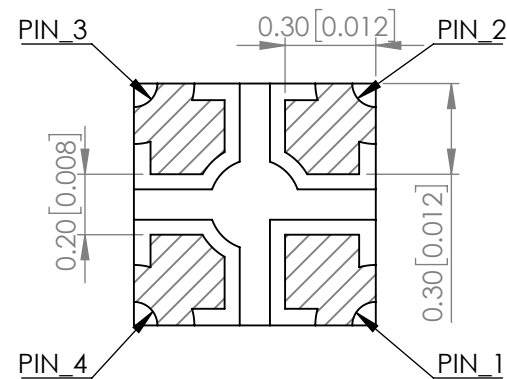
POLARITY



ELECTRO-OPTICAL CHARACTERISTIC TA=25°C

PARAMETER		MIN	TYP	MAX	UNITS	TEST COND
PEAK WAELENGHT	R	-	625	-	nm	If=3mA
	G	-	525	-		If=5mA
	B	-	465	-		If=5mA
FORWARD VOLTAGE	R	-	2.0	2.4	Vf	If=3mA
	G	-	2.9	3.2		If=5mA
	B	-	2.9	3.2		If=5mA
REVERSE VOLTAGE (R/G/B)		-	-	5	Vr	Ir=10uA
LUMINOUS INTENSITY	R	12	-	20	mcd	If=3mA
	G	61	-	104		If=5mA
	B	9	-	25		If=5mA
VIEWING ANGLE		-	120	-	2x theta1/2	-
EMITTED COLOR		R/G/B				
EPOXY LENS FINISH		CLEAR LENS (TINTED) WITH TEXTURED FINISH TOP				

RECOMMENDED SOLDER PAD LAYOUT



ABSOLUTE MAXIMUM RATINGS TA=25°C

PARAMETER	MAX	UNITS
PEAK FORWARD CURRENT (R/G/B)*	20/20/20	mA
FORWARD CURRENT (R/G/B)	10/10/10	mA
POWER DISIPATION (R/G/B)	24/31/31	mW
STORAGE TEMPERATURE	-40 TO +90	°C
OPERATING TEMPERATURE	-40 TO +85	°C

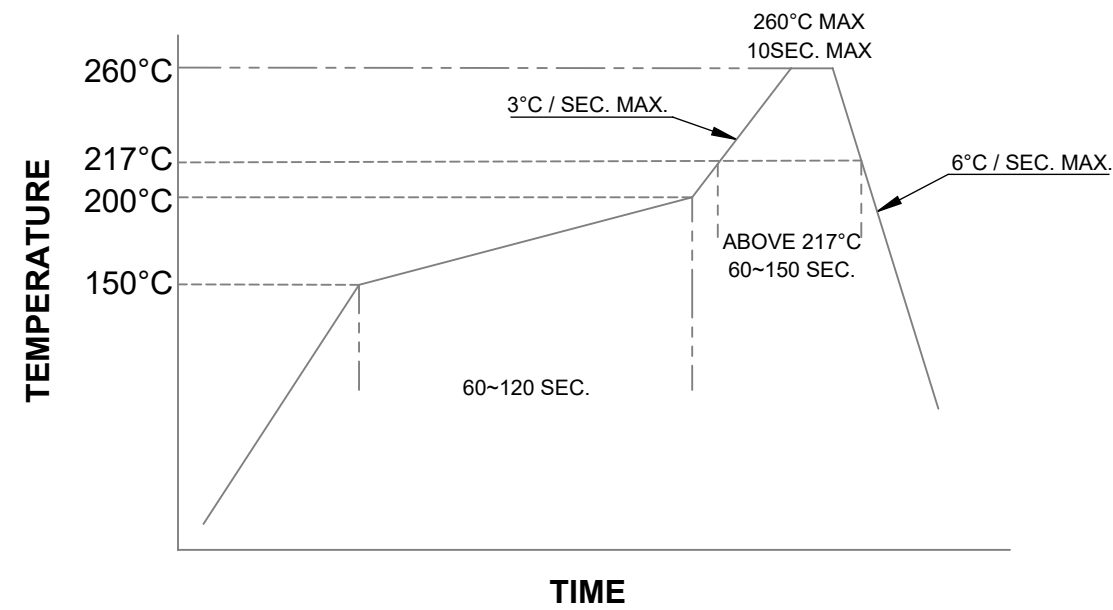
*t<10us

NOTE:

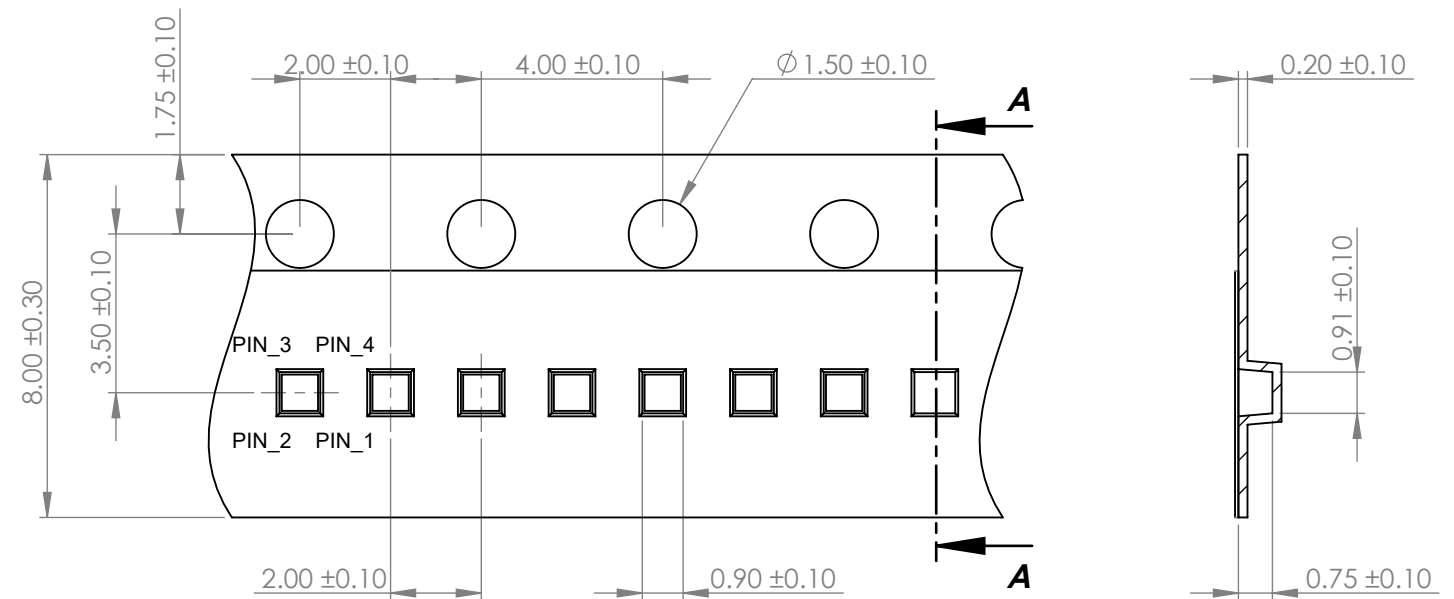
1. RoHS compliant.
2. Compliance Halogen Free.

*UNLESS OTHERWISE SPECIFIED TOLERANCES PER DECIMAL PRECISION ARE: X=±1 (±0.039), X.X=±0.5 (±0.020), X.XX=±0.25 (±0.010), X.XXX=±0.127 (±0.005). LEAD SIZE=±0.05 (±0.002), LEAD LENGTH=±0.75 (±0.030). MIN= ^{+DECIMAL PRECISION}/_{-0.00} MAX= ^{+0.00}/_{-DECIMAL PRECISION}

PROFILE




CARRIER TAPE DIMENSION



SECTION A-A

*UNLESS OTHERWISE SPECIFIED TOLERANCES PER DECIMAL PRECISION ARE: X=±1 (±0.039), X.X=±0.5 (±0.020), X.XX=±0.25 (±0.010), X.XXX=±0.127 (±0.005). LEAD SIZE=±0.05 (±0.002), LEAD LENGTH=±0.75 (±0.030). MIN= ^{+DECIMAL PRECISION} / _{-0.00} MAX.= ^{+0.00} / _{-DECIMAL PRECISION}

 <p>425 N. GARY AVE. CAROL STREAM, IL 60188 PHONE : 800-278-5666 FAX : 630-315-2150 WEB : WWW.LUMEX.COM</p>	0.8(L)*0.8(W)*0.65(H)mm, SURFACE MOUNT LED, AllnGap RED/InGaN GREEN/InGaN BLUE LED, CLEAR LENS (TINTED), TAPE & REEL	DATE : 2017.07.05	DRAWN BY : E.C.	
	THE SPECIFICATIONS MAY CHANGE AT ANY TIME WITHOUT NOTICE DUE TO NEW MATERIALS OR PRODUCT IMPROVEMENT.	PAGE : 2 OF 2	CHKD BY : G.Y.	
	CONFIDENTIAL INFORMATION THE INFORMATION CONTAINED IN THIS DOCUMENT IS THE PROPERTY OF LUMEX INC. EXCEPT AS SPECIFICALLY AUTHORIZED IN WRITING BY LUMEX INC., THE HOLDER OF THIS DOCUMENT SHALL KEEP ALL INFORMATION CONTAINED HEREIN CONFIDENTIAL AND SHALL PROTECT SAME IN WHOLE OR IN PART FROM DISCLOSURE AND DISSEMINATION TO ALL THIRD PARTIES.	SCALE : NTF	APRVD BY : R.C.	
		UNIT : mm [INCH]		(Pb)