

Model No: FSL-1225R02-08
 Product Line: Tymphany

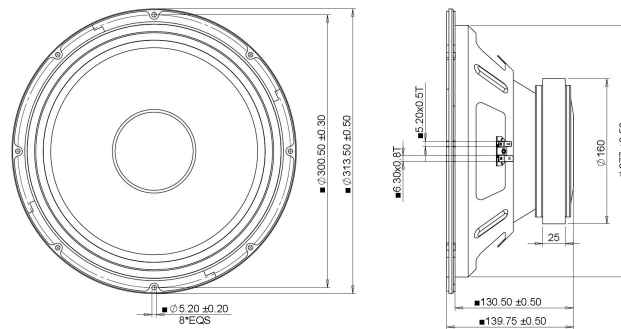
Rev: 1
 Last Update: 2017-04-21 12:39:42

Product Description

This 12 inch 8 ohm speaker, features a FEA optimized ferrite magnet motor, a 2.5 inch high-temperature voice coil, a vented yoke for motor cooling, and a high strength stamped steel frame. It also features Kevlar loaded non-pressed paper cone to help dampen and control cone resonance. The multi-roll surround and spider have been optimized to reduce distortion over the excursion range of this transducer.



Mechanical Drawing



Specifications

| | | | | | | | |
|-------------------------------|-------------|--------|-------|-----------|----------------------------|---------|--------------------------|
| DC Resistance | Revc | Ohms | 5.45 | 5.0% | Energy Bandwidth Product | EBP | (1/Qes)*fs |
| Minimum Impedance | Zmin | Ohms | 7.39 | 7.5% | Moving Mass | Mms | g |
| Voice Coil Inductance | Le | mH | 0.71 | | Suspension Compliance | Cms | um/N |
| Resonant Frequency | Fs | Hz | 59.07 | 15% | Effective Cone diameter | D | cm |
| Mechanical Q Factor | Qms | | 4.31 | | Effective Piston Area | Sd | cm ² |
| Electrical Q Factor | Qes | | 0.45 | | Effective Volume | Vas | L |
| Total Q Factor | Qts | | 0.41 | | Motor Force Factor | BL | Tm |
| Ratio Fs/Qts | F | Fs/Qts | 145.5 | | Motor Efficiency Factor | β | (T*M ²)/Ohms |
| Half Space Sensitivity @2.83V | db@2.83V/1M | dB | 96.85 | +/- 1.0db | Voice coil former Material | VCfm | GSV |
| Half Space Sensitivity @1W/1M | db@1W/1M | dB | 96.5 | +/- 1.0db | Voice coil inner diameter | VCd | mm |
| Gap Height | Gh | mm | 8 | | Rated Noise Power | P | W |
| Maximum Linear Excursion | Xmax | mm | 2.5 | | Test Spectrum Bandwidth | | 60Hz-600Hz |
| Ferrofluid Type | FF | | | | Driver Size | Inch | 12 in |
| Driver Mass | Kg | | 4.9 | | | | |

Frequency and Impedance Response



Highcharts.com