

Description

The 74LVC245A is an octal transceiver designed for asynchronous communication between data buses. The device transmits data from the A bus to the B bus or from the B bus to the A bus, depending on the logic level at the direction-control (DIR) input. The output-enable (\overline{OE}) pin can be used to disable the device so the buses effectively are isolated.

The device is designed for operation with a power supply range of 1.65V to 3.6V.

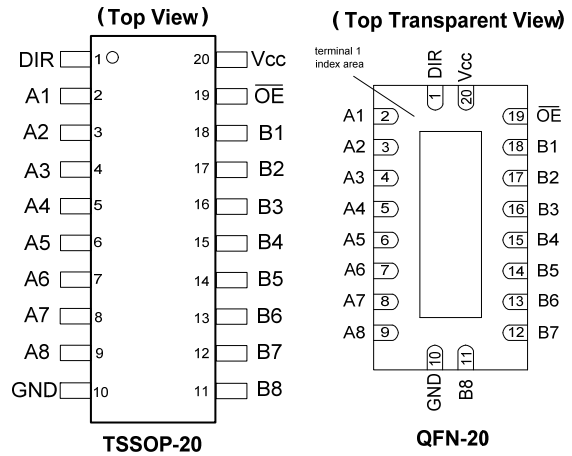
The inputs are tolerant to 5.5V allowing this device to be used in a mixed voltage environment. The device is fully specified for partial power down applications using I_{OFF} . The I_{OFF} circuitry disables the output preventing damaging current backflow when the device is powered down.

Features

- Supply Voltage Range from 1.65V to 3.6V
- Sinks or Sources 24ma at $V_{CC} = 3V$
- CMOS Low Power Consumption
- I_{OFF} Supports Partial Power Down Operation
- Inputs or Outputs Accept Up to 5.5V
- Inputs Can Be Driven by 3.3V or 5V Allowing for Mixed Voltage Applications
- Schmitt Trigger Action at All Inputs
- Typical V_{OLP} (Quiet Output Ground Bounce) Less Than 0.8V with $V_{CC} = 3.3V$ and $T_A = +25^\circ C$
- Typical V_{OHV} (Quiet Output dynamic VOH) Greater than 2.0V with $V_{CC} = 3.3V$ and $T_A = +25^\circ C$
- ESD Protection Tested per JESD 22
 - Exceeds 200-V Machine Model (A115)
 - Exceeds 2000-V Human Body Model (A114)
 - Exceeds 1000-V Charged Device Model (C101)
- Latch-Up Exceeds 250mA per JESD 78, Class I
- All devices are:
 - **Totally Lead-Free & Fully RoHS compliant (Notes 1 & 2)**
 - **Halogen and Antimony Free. "Green" Device (Note 3)**

- Notes:
1. No purposely added lead. Fully EU Directive 2002/95/EC (RoHS) & 2011/65/EU (RoHS 2) compliant.
 2. See http://www.diodes.com/quality/lead_free.html for more information about Diodes Incorporated's definitions of Halogen and Antimony free, "Green" and Lead-Free.
 3. Halogen and Antimony free "Green" products are defined as those which contain <900ppm bromine, <900ppm chlorine (<1500ppm total Br + Cl) and <1000ppm antimony compounds.

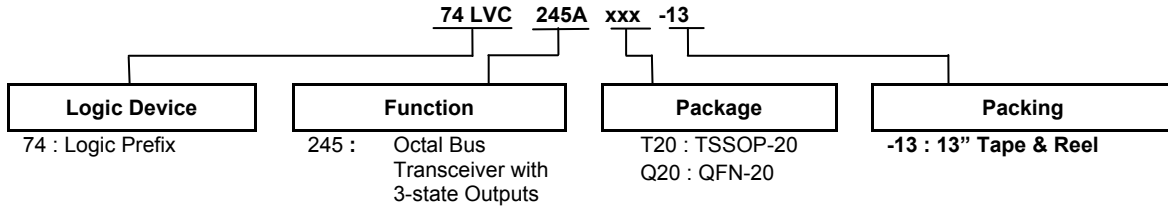
Pin Assignments



Applications

- General Purpose Logic
- Bus Driving
- Power Down Signal Isolation
- Wide array of products such as:
 - PCs, Notebooks, Netbooks, Ultrabooks
 - Networking Computer Peripherals, Hard Drives, CD/DVD ROM
 - TV, DVD, DVR, Set Top Box

Ordering Information



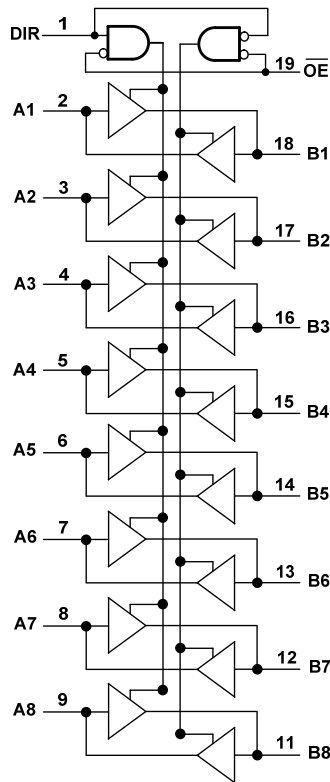
| Part Number | Package Code | Package (Note 4 & 5) | Package Size | 13" Tape and Reel | |
|-----------------|--------------|----------------------|--|-------------------|--------------------|
| | | | | Quantity | Part Number Suffix |
| 74LVC245AT20-13 | T20 | TSSOP-20 | 6.4mm X 6.5mm X 1.2mm 0.65 mm lead pitch | 2500/Tape & Reel | -13 |
| 74LVC245AQ20-13 | Q20 | V-QFN4525-20 | 2.5mm X 4.5mm X 0.95mm 0.50 mm lead pitch | 2500/Tape & Reel | -13 |

- Notes:
4. Pad layout as shown on Diodes Inc. suggested pad layout document AP02001, which can be found on our website at <http://www.diodes.com/datasheets/ap02001.pdf>.
 5. V-QFN4525-20 is a JEDEC recognized naming convention that specifies the package thickness category as V and the number 4525 describes the package as 4.5mm X 2.5mm.

Pin Descriptions

| Pin Number | Pin Name | Description |
|------------|----------|-----------------|
| 1 | DIR | Output Enable 1 |
| 2 | 1A1 | Data Input |
| 3 | 2Y4 | Data Output |
| 4 | 1A2 | Data Input |
| 5 | 2Y3 | Data Output |
| 6 | 1A3 | Data Input |
| 7 | 2Y2 | Data Output |
| 8 | 1A4 | Data Input |
| 9 | 2Y1 | Data Output |
| 10 | GND | Ground |
| 11 | 2A1 | Data Input |
| 12 | 1Y4 | Data Output |
| 13 | 2A2 | Data Input |
| 14 | 1Y3 | Data Output |
| 15 | 2A3 | Data Input |
| 16 | 1Y2 | Data Output |
| 17 | 2A4 | Data Input |
| 18 | 1Y1 | Data Output |
| 19 | 2OE | Output Enable 2 |
| 20 | Vcc | Supply Voltage |

Logic Diagram



Function Table

| INPUTS | | Operation |
|--------|-----|-----------------|
| OE | DIR | |
| L | L | B Data to A Bus |
| L | H | A Data to B Bus |
| H | X | Bus Isolation |

Absolute Maximum Ratings (Notes 6 & 7)

| Symbol | Description | Rating | Unit |
|------------------|---|--------------|------|
| ESD HBM | Human Body Model ESD Protection | 2 | kV |
| ESD CDM | Charged Device Model ESD Protection | 1 | kV |
| ESD MM | Machine Model ESD Protection | 200 | V |
| V _{CC} | Supply Voltage Range | -0.5 to +7.0 | V |
| V _I | Input Voltage Range note 3 | -0.5 to +7.0 | V |
| I _{IK} | Input Clamp Current V _I < 0V | -20 | mA |
| I _{OK} | Output Clamp Current V _O < 0V | -50 | mA |
| I _O | Continuous Output Current -0.5V < V _O < V _{CC} + 0.5V | ±50 | mA |
| I _{CC} | Continuous Current Through V _{CC} | 100 | mA |
| I _{GND} | Continuous Current Through GND | -100 | mA |
| T _J | Operating Junction Temperature | -40 to +150 | °C |
| T _{STG} | Storage Temperature | -65 to +150 | °C |
| P _{TOT} | Total Power Dissipation | 500 | mW |

- Notes:
- Stresses beyond the absolute maximum may result in immediate failure or reduced reliability. These are stress values and device operation should be within recommend values.
 - Forcing the maximum allowed voltage could cause a condition exceeding the maximum current or conversely forcing the maximum current could cause a condition exceeding the maximum voltage. The ratings of both current and voltage must be maintained within the controlled range.

Recommended Operating Conditions (Note 8)

| Symbol | Parameter | Conditions | Min | Max | Unit |
|-----------------|------------------------------------|-------------------------|------|-----------------|------|
| V _{CC} | Supply Voltage | Operating | 1.65 | 3.6 | V |
| | | Data Retention Only | 1.5 | — | V |
| V _I | Input Voltage | — | 0 | 5.5 | V |
| V _O | Output Voltage | — | 0 | V _{CC} | V |
| I _{OH} | High-Level Output Current | V _{CC} = 1.65V | — | -4 | mA |
| | | V _{CC} = 2.3V | — | -8 | |
| | | V _{CC} = 2.7V | — | -12 | |
| | | V _{CC} = 3.0V | — | -24 | |
| I _{OL} | Low-Level Output Current | V _{CC} = 1.65V | — | 4 | mA |
| | | V _{CC} = 2.3V | — | 8 | |
| | | V _{CC} = 2.7V | — | 12 | |
| | | V _{CC} = 3.0V | — | 24 | |
| Δt/ΔV | Input Transition Rise or Fall Rate | — | — | 10 | ns/V |
| T _A | Operating Free-Air Temperature | — | -40 | +125 | °C |

- Note: 8. Unused inputs should be held at V_{CC} or ground.

Electrical Characteristics

| Symbol | Parameter | Test Conditions | V _{CC} | T _A = -40°C to +85°C | | T _A = -40°C to +125°C | | Unit |
|-------------------------|--|--|---|---------------------------------|------------------------|----------------------------------|------------------------|------|
| | | | | Min | Max | Min | Max | |
| V _{IH} | High-Level Input Voltage | | 1.65V to 1.95V | V _{CC} X 0.65 | — | V _{CC} X 0.65 | — | V |
| | | | 2.3V to 2.7V | 1.7 | — | 1.7 | — | |
| | | | 3.0V to 3.6V | 2 | — | 2 | — | |
| V _{IL} | Low-Level input Voltage | | 1.65V to 1.95V | — | V _{CC} X 0.35 | — | V _{CC} X 0.35 | V |
| | | | 2.3V to 2.7V | — | 0.7 | — | 0.7 | |
| | | | 3.0V to 3.6V | — | 0.8 | — | 0.8 | |
| V _{OH} | High-Level Output Voltage | I _{OH} = -50μA | 1.65V to 3.6V | V _{CC} -0.2 | — | V _{CC} -0.3 | — | V |
| | | I _{OH} = -4mA | 1.65V | 1.2 | — | 1.05 | — | |
| | | I _{OH} = -8mA | 2.3V | 1.7 | — | 1.65 | — | |
| | | I _{OH} = -12mA | 2.7V | 2.2 | — | 2.05 | — | |
| | | | 3.0V | 2.4 | — | 2.48 | — | |
| I _{OH} = -24mA | 3.0V | 2.3 | — | 2.0 | — | | | |
| V _{OL} | Low-Level Output Voltage | I _{OL} = 100μA | 1.65V to 3.6V | — | 0.2 | — | 0.3 | V |
| | | I _{OL} = 4mA | 1.65V | — | 0.45 | — | 0.65 | |
| | | I _{OL} = 8mA | 2.3V | — | 0.60 | — | 0.80 | |
| | | I _{OL} = 12mA | 2.7V | — | 0.40 | — | 0.60 | |
| | | I _{OL} = 24mA | 3.0V | — | 0.55 | — | 0.80 | |
| I _{OFF} | Power Down Leakage Current | V _I or V _O = 0 or 5.5V | 0V | — | ±10 | — | 20 | μA |
| I _I | Input Current Control Pins | V _I = GND or 5.5V | 0 to 3.6V | — | ±5 | — | ±20 | μA |
| I _{OZ} | Z-state Current Including Input Current I/O Pins | V _I = GND or 5.5V V _O = 0 to 5.5V | 3.6V | — | ±5 | — | ±20 | μA |
| I _{CC} | Supply Current | V _I = GND or V _{CC} , I _O = 0 | 3.6V | — | 10 | — | 40 | μA |
| ΔI _{CC} | Additional Supply Current | One input at V _{CC} -0.6V I _O = 0A | 2.7V to 3.6V | — | 500 | — | 5000 | μA |
| C _i | Input Capacitance | Control Pins | V _I = GND or V _{CC} 0V to 3.6V | 4.0 typical | | 4.0 typical | | pF |
| | | I/O Pins | | 5.5 typical | | 5.5 typical | | |

Switching Characteristics

| Symbol | Parameter | Test Conditions | V _{CC} | T _A = +25°C | | | T _A = -40°C to +85°C | | T _A = -40°C to +125°C | | Unit |
|--------------------|--|-----------------|-----------------|------------------------|-----|------|---------------------------------|------|----------------------------------|------|------|
| | | | | Min | Ty | Max | Min | Max | Min | Max | |
| t _{PD} | Propagation Delay A _N to B _N or B _N to A _N | Figure 1 | 1.8V ± 0.15V | 1 | 6.0 | 12.2 | 1 | 12.7 | 1 | 16.9 | ns |
| | | | 2.5V ± 0.2V | 1 | 3.9 | 8.1 | 1 | 8.5 | 1 | 9.1 | |
| | | | 2.7V | 1 | 4.2 | 8.7 | 1 | 9.6 | 1 | 9.9 | |
| | | | 3.3V ± 0.3 | 1.5 | 3.8 | 8.1 | 1.5 | 8.7 | 1.5 | 9.2 | |
| t _{EN} | Enable Time \overline{OE} to A _N or \overline{OE} to B _N | Figure 1 | 1.8V ± 0.15V | 1 | 7 | 14.8 | 1 | 15.3 | 1 | 22.5 | ns |
| | | | 2.5V ± 0.2V | 1 | 4.5 | 10 | 1 | 10.5 | 1 | 12.4 | |
| | | | 2.7V | 1 | 5.4 | 9.3 | 1 | 9.5 | 1 | 12.0 | |
| | | | 3.3V ± 0.3 | 1.5 | 4.4 | 8.3 | 1.5 | 8.5 | 1.5 | 11.0 | |
| t _{DIS} | Disable Time \overline{OE} to A _N or \overline{OE} to B _N | Figure 1 | 1.8V ± 0.15V | 1 | 7.8 | 16.5 | 1 | 17 | 1 | 14.2 | ns |
| | | | 2.5V ± 0.2V | 1 | 4 | 9 | 1 | 9.5 | 1 | 8.2 | |
| | | | 2.7V | 1 | 4.4 | 8.3 | 1 | 8.5 | 1 | 10.0 | |
| | | | 3.3V ± 0.3 | 1.7 | 4.1 | 7.3 | 1.7 | 7.5 | 1.7 | 9.0 | |
| t _{sk(0)} | Output Skew Time | | 3.3V ± 0.3 | — | — | 1.0 | — | — | — | 1.5 | ns |

Operating Characteristics

 T_A = +25°C

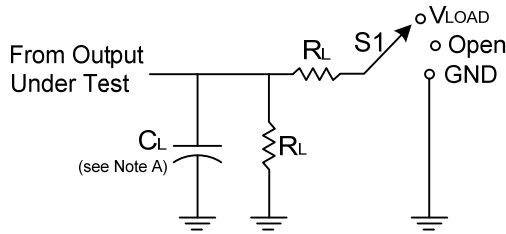
| Symbol | Parameter | Test Conditions | V _{CC} | Typ | Unit |
|-----------------|--|------------------------------|-----------------|------|------|
| C _{pd} | Power dissipation capacitance per gate | F = 10MHz Outputs Enabled | 1.8V ± 0.15V | 9.9 | pF |
| | | | 2.5V ± 0.2V | 10.2 | |
| | | | 3.3V ± 0.3V | 10.6 | |

Package Characteristics

| Symbol | Parameter | Package | Test Conditions | Min | Typ. | Max | Unit |
|-----------------|--|--------------|-----------------|-----|------|-----|------|
| θ _{JA} | Thermal Resistance Junction-to-Ambient | TSSOP-20 | (Note 9) | — | 74 | — | °C/W |
| θ _{JC} | Thermal Resistance Junction-to-Case | TSSOP-20 | (Note 9) | — | 15 | — | °C/W |
| θ _{JA} | Thermal Resistance Junction-to-Ambient | V-QFN4525-20 | (Note 9) | — | 67 | — | °C/W |
| θ _{JC} | Thermal Resistance Junction-to-Case | V-QFN4525-20 | (Note 9) | — | 20 | — | °C/W |

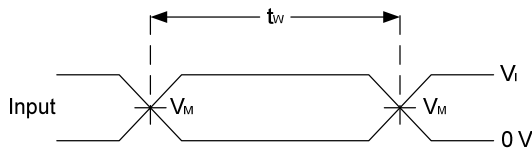
Note: 9. Test conditions for TSSOP-20 and V-QFN4525-20: Devices mounted on 4 layer FR-4 substrate PC board, 2oz copper, with minimum recommended pad layout per JESD 51-7.

Parameter Measurement Information

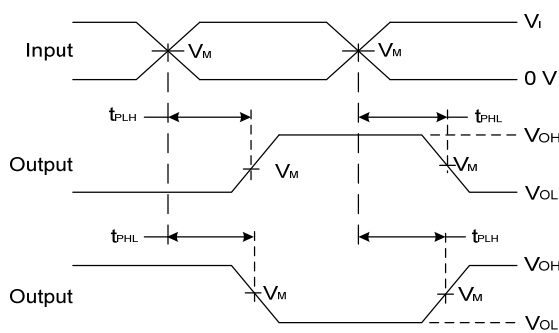


| TEST | S1 |
|-------------------|------------|
| t_{PLH}/t_{PHL} | Open |
| t_{PLZ}/t_{PZL} | V_{LOAD} |
| t_{PHZ}/t_{PZH} | GND |

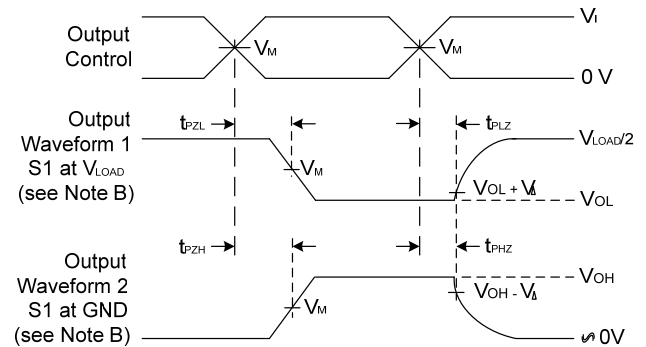
| V_{CC} | Inputs | | V_M | V_{LOAD} | C_L | R_L | V_{Δ} |
|------------------|----------|--------------|------------|-------------------|-------|--------------|--------------|
| | V_I | t_r/t_f | | | | | |
| $1.8V \pm 0.15V$ | V_{CC} | $\leq 2ns$ | $V_{CC}/2$ | $2 \times V_{CC}$ | 30pF | 1K Ω | 0.15V |
| $2.5V \pm 0.2V$ | V_{CC} | $\leq 2ns$ | $V_{CC}/2$ | $2 \times V_{CC}$ | 30pF | 500 Ω | 0.15V |
| 2.7V | 2.7V | $\leq 2.5ns$ | 1.5V | 6V | 50pF | 500 Ω | 0.3V |
| $3.3V \pm 0.3V$ | 2.7V | $\leq 2.5ns$ | 1.5V | 6V | 50pF | 500 Ω | 0.3V |



Voltage Waveform Pulse Duration



**Voltage Waveform Propagation Delay Times
Inverting and Non Inverting Outputs**



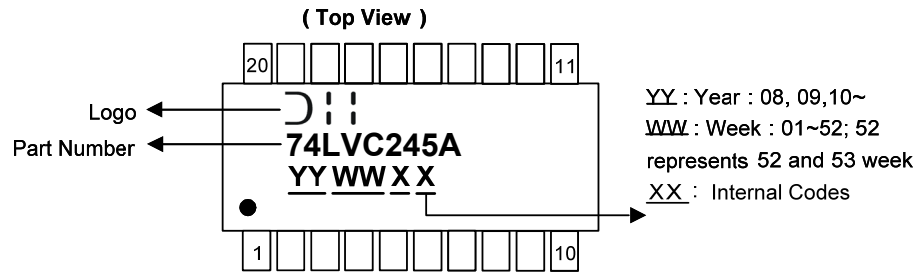
**Voltage Waveform Enable and Disable Times
Low and High Level Enabling**

- Notes:
- A. Includes test lead and test apparatus capacitance.
 - B. All pulses are supplied at pulse repetition rate ≤ 10 MHz.
 - C. Inputs are measured separately one transition per measurement.
 - D. t_{PLZ} and t_{PHZ} are the same as t_{dis} .
 - E. t_{PZL} and t_{PZH} are the same as t_{EN0} .
 - F. t_{PLH} and t_{PHL} are the same as t_{PD} .

Figure 1 Load Circuit and Voltage Waveforms

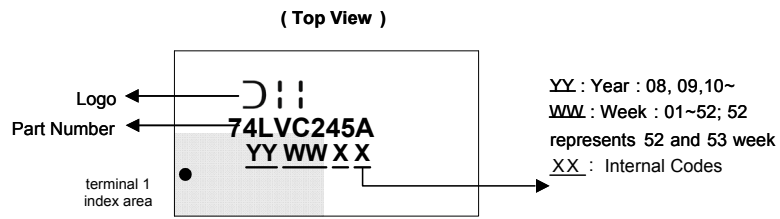
Marking Information

(1) TSSOP20



| Part Number | Package |
|--------------|----------|
| 74LVC245AT20 | TSSOP-20 |

(2) QFN-20 (V-QFN4525-20)



| Part Number | Package |
|--------------|--------------|
| 74LVC245AQ20 | V-QFN4525-20 |

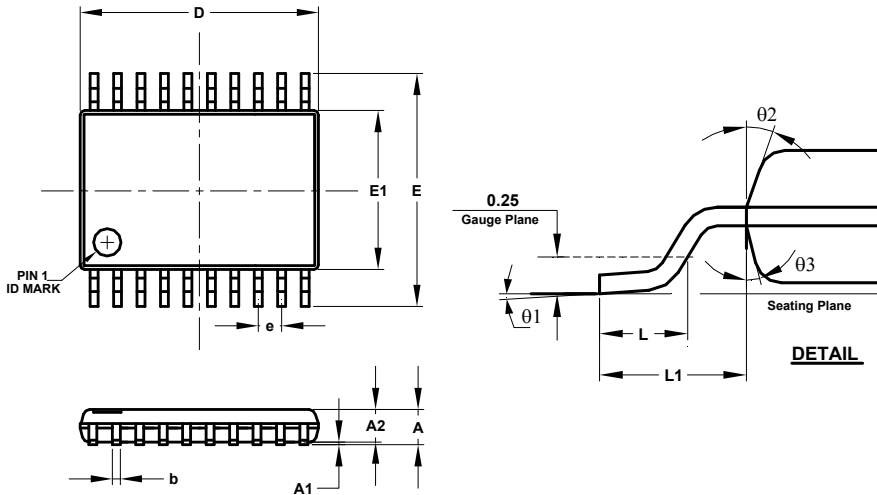
NEW PRODUCT

Package Outline Dimensions (All Dimensions in mm)

Please see AP02002 at <http://www.diodes.com/datasheets/ap02002.pdf> for the latest version.

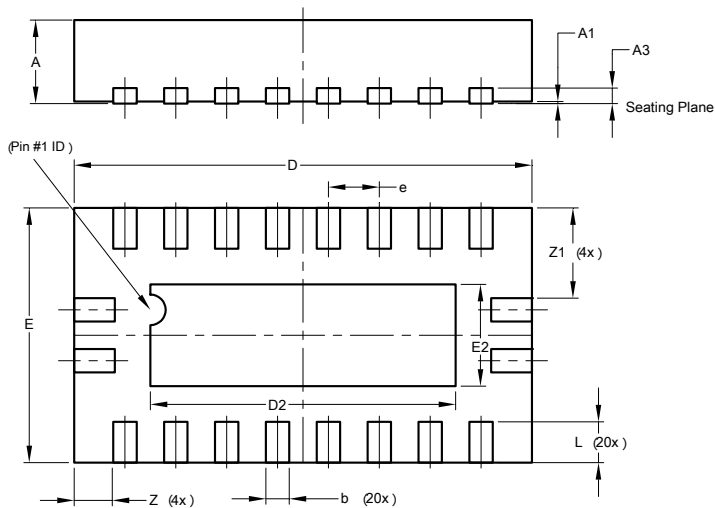
NEW PRODUCT

(1) TSSOP-20



| TSSOP-20 | | | |
|----------------------|----------|------|------|
| Dim | Min | Max | Typ |
| A | - | 1.20 | - |
| A1 | 0.05 | 0.15 | - |
| A2 | 0.80 | 1.05 | - |
| b | 0.19 | 0.30 | - |
| c | 0.09 | 0.20 | - |
| D | 6.40 | 6.60 | 6.50 |
| E | 6.20 | 6.60 | 6.40 |
| E1 | 4.30 | 4.50 | 4.40 |
| e | 0.65 BSC | | |
| L | 0.45 | 0.75 | 0.60 |
| L1 | 1.0 REF | | |
| theta1 | 0° | 8° | - |
| theta2 | 10° | 14° | 12° |
| theta3 | 10° | 14° | 12° |
| All Dimensions in mm | | | |

(2) QFN-20 (V-QFN4525-20)

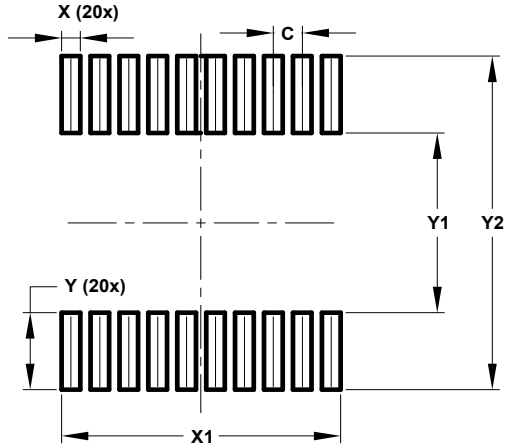


| V-QFN4525-20 | | | |
|----------------------|---------|------|-------|
| Dim | Min | Max | Typ |
| A | 0.75 | 0.85 | 0.80 |
| A1 | 0.00 | 0.05 | 0.02 |
| A3 | - | - | 0.15 |
| b | 0.18 | 0.30 | 0.23 |
| D | 4.45 | 4.55 | 4.50 |
| D2 | 2.85 | 3.15 | 3.00 |
| E | 2.45 | 2.55 | 2.50 |
| E2 | 0.85 | 1.15 | 1.00 |
| e | 0.50BSC | | |
| L | 0.30 | 0.50 | 0.40 |
| Z | - | - | 0.385 |
| Z1 | - | - | 0.885 |
| All Dimensions in mm | | | |

Suggested Pad Layout

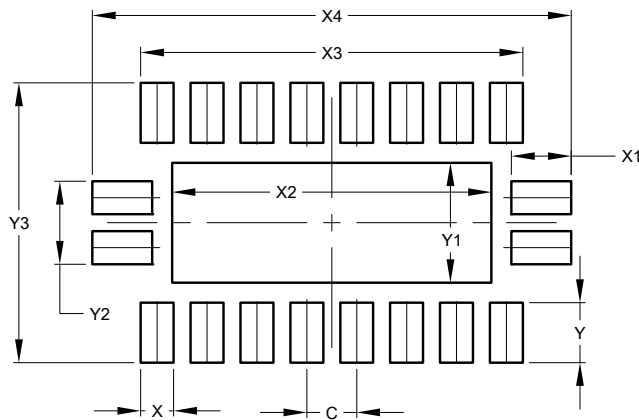
Please see AP02001 at <http://www.diodes.com/datasheets/ap02001.pdf> for the latest version.

(1) TSSOP-20



| Dimensions | Value (in mm) |
|------------|---------------|
| C | 0.650 |
| X | 0.420 |
| X1 | 6.270 |
| Y | 1.789 |
| Y1 | 4.160 |
| Y2 | 7.720 |

(2) QFN-20 (V-QFN4525-20)



| Dimensions | Value (in mm) |
|------------|---------------|
| C | 0.500 |
| X | 0.330 |
| X1 | 0.600 |
| X2 | 3.200 |
| X3 | 3.830 |
| X4 | 4.800 |
| Y | 0.600 |
| Y1 | 1.200 |
| Y2 | 0.830 |
| Y3 | 2.800 |

IMPORTANT NOTICE

DIODES INCORPORATED MAKES NO WARRANTY OF ANY KIND, EXPRESS OR IMPLIED, WITH REGARDS TO THIS DOCUMENT, INCLUDING, BUT NOT LIMITED TO, THE IMPLIED WARRANTIES OF MERCHANTABILITY AND FITNESS FOR A PARTICULAR PURPOSE (AND THEIR EQUIVALENTS UNDER THE LAWS OF ANY JURISDICTION).

Diodes Incorporated and its subsidiaries reserve the right to make modifications, enhancements, improvements, corrections or other changes without further notice to this document and any product described herein. Diodes Incorporated does not assume any liability arising out of the application or use of this document or any product described herein; neither does Diodes Incorporated convey any license under its patent or trademark rights, nor the rights of others. Any Customer or user of this document or products described herein in such applications shall assume all risks of such use and will agree to hold Diodes Incorporated and all the companies whose products are represented on Diodes Incorporated website, harmless against all damages.

Diodes Incorporated does not warrant or accept any liability whatsoever in respect of any products purchased through unauthorized sales channel. Should Customers purchase or use Diodes Incorporated products for any unintended or unauthorized application, Customers shall indemnify and hold Diodes Incorporated and its representatives harmless against all claims, damages, expenses, and attorney fees arising out of, directly or indirectly, any claim of personal injury or death associated with such unintended or unauthorized application.

Products described herein may be covered by one or more United States, international or foreign patents pending. Product names and markings noted herein may also be covered by one or more United States, international or foreign trademarks.

This document is written in English but may be translated into multiple languages for reference. Only the English version of this document is the final and determinative format released by Diodes Incorporated.

LIFE SUPPORT

Diodes Incorporated products are specifically not authorized for use as critical components in life support devices or systems without the express written approval of the Chief Executive Officer of Diodes Incorporated. As used herein:

A. Life support devices or systems are devices or systems which:

1. are intended to implant into the body, or
2. support or sustain life and whose failure to perform when properly used in accordance with instructions for use provided in the labeling can be reasonably expected to result in significant injury to the user.

B. A critical component is any component in a life support device or system whose failure to perform can be reasonably expected to cause the failure of the life support device or to affect its safety or effectiveness.

Customers represent that they have all necessary expertise in the safety and regulatory ramifications of their life support devices or systems, and acknowledge and agree that they are solely responsible for all legal, regulatory and safety-related requirements concerning their products and any use of Diodes Incorporated products in such safety-critical, life support devices or systems, notwithstanding any devices- or systems-related information or support that may be provided by Diodes Incorporated. Further, Customers must fully indemnify Diodes Incorporated and its representatives against any damages arising out of the use of Diodes Incorporated products in such safety-critical, life support devices or systems.

Copyright © 2014, Diodes Incorporated

www.diodes.com