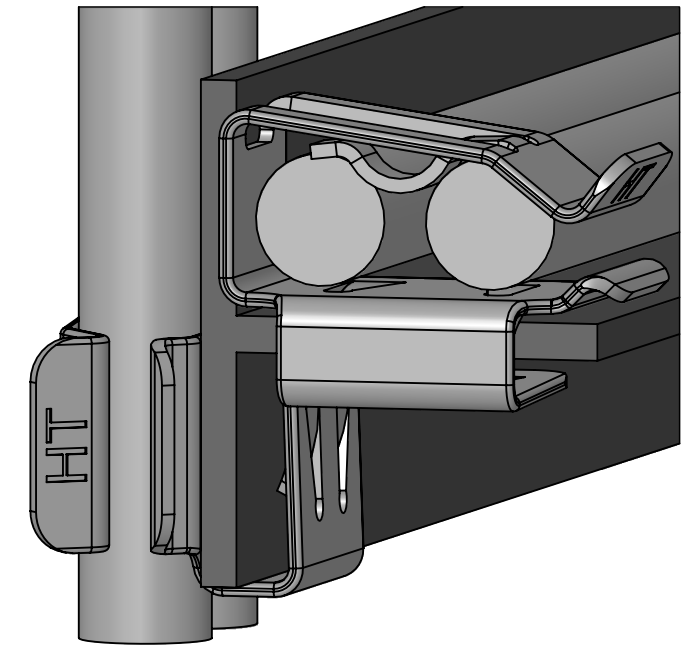
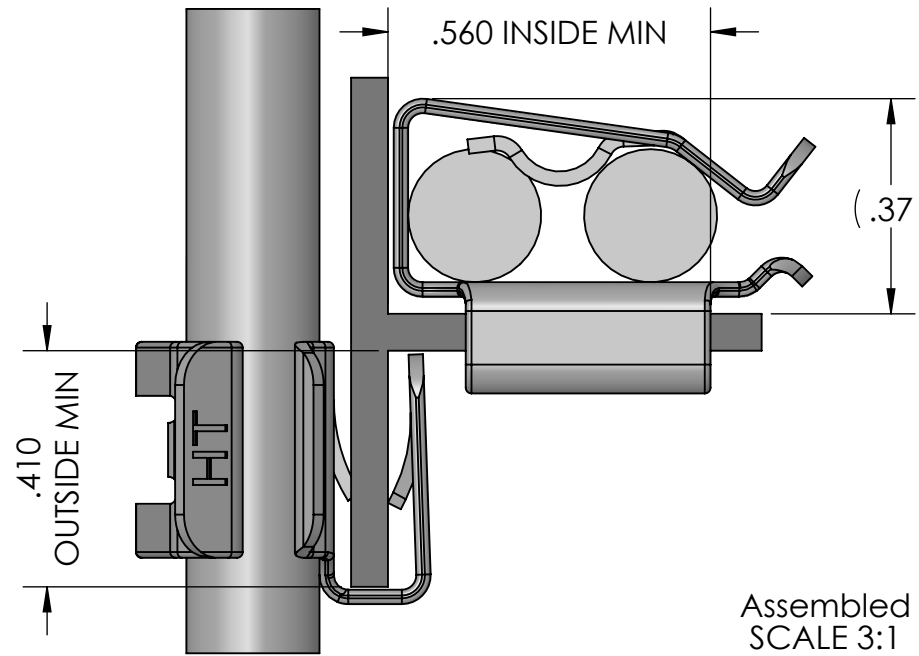
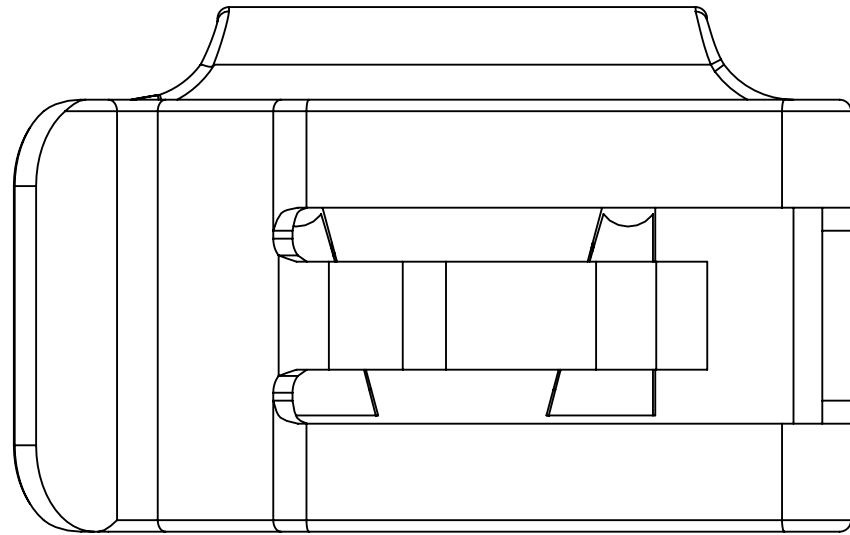


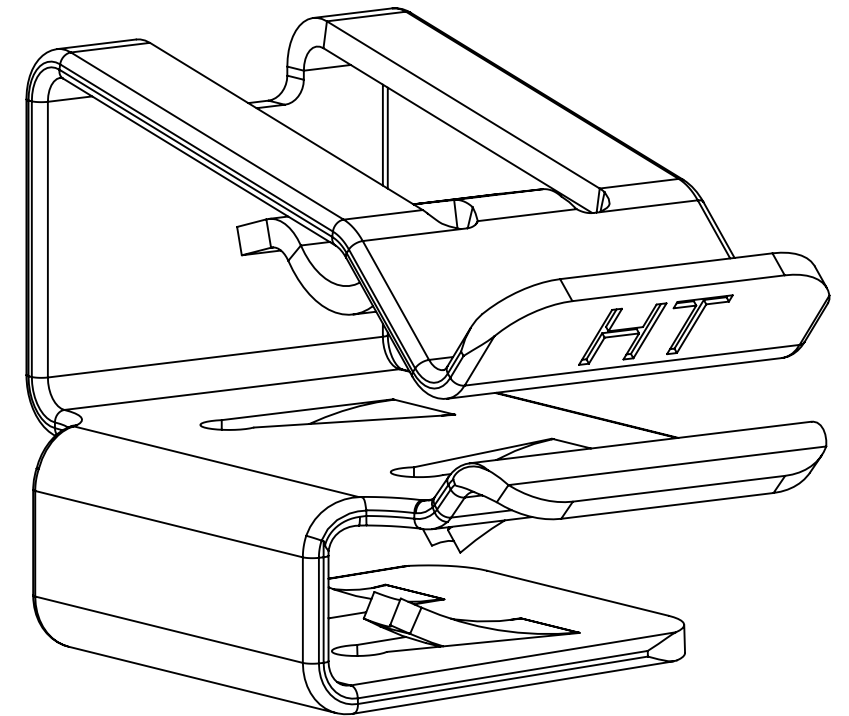
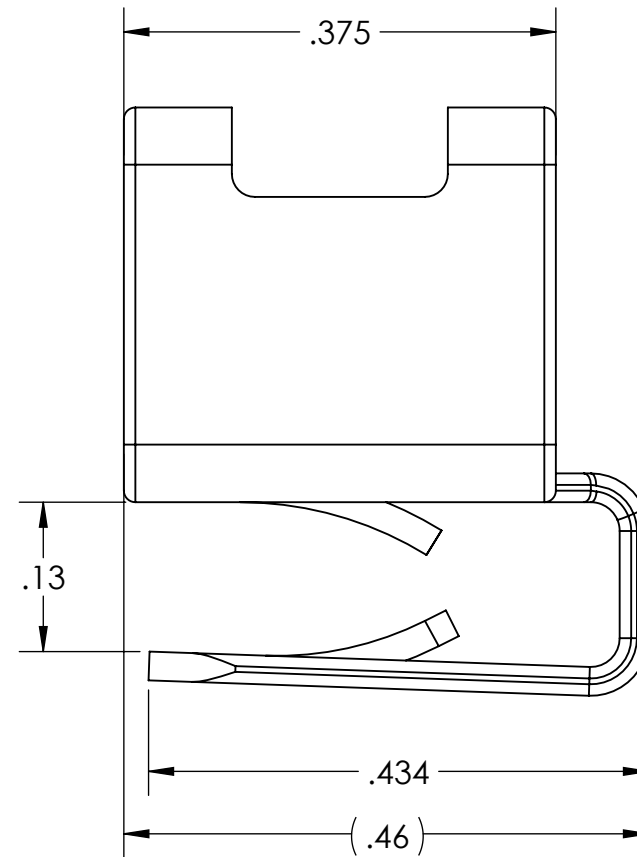
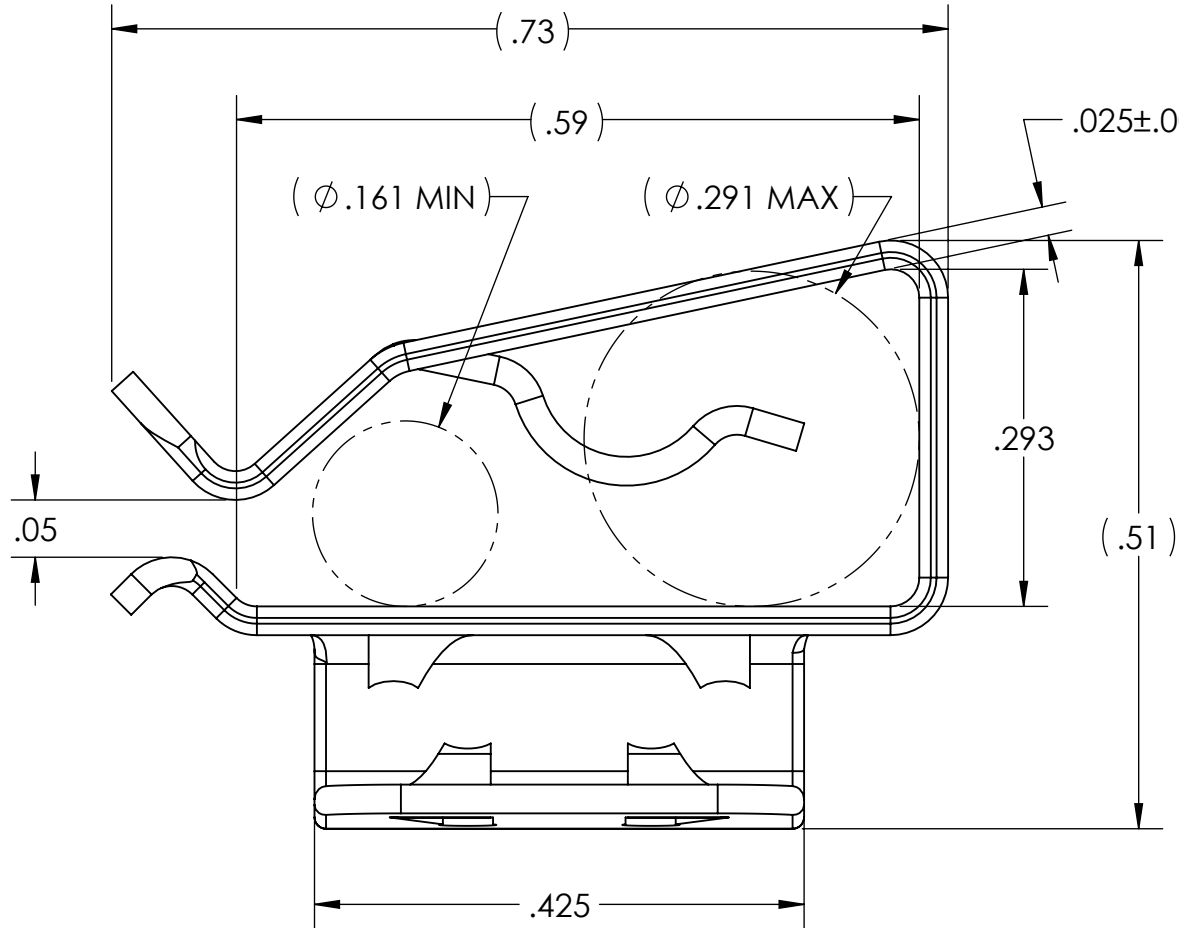
SW2015



Revision level			Revision Record	Changed	Date	Approved	Date
Drawing	State	Part					
01.1	Design Release	A	SEE ECN# 014123	GAL	10/18/2017	JPG	10/18/2017



Assembled  
SCALE 3:1



Notes  
 PANEL THICKNESS RANGE: .059in - .078in  
 CABLE DIAMETER RANGE: .161in - .291in  
 INSIDE MIN PANEL DEPTH: .560"  
 OUTSIDE MIN PANEL DEPTH: .410"

Material  
 304 3/4 HARD STAINLESS  
 STEEL ROUND EDGE  
 ROHS COMPLIANT

Units: inches  
 Dimension without  
 tolerances details to:  
 .xxxx = ±.0005  
 .xxx = ±.005  
 .xx = ±.01  
 .x = ±.03  
 None = ±.06  
 ∠ = ±0.5°  
 Dimension Formatted in/[mm]

The copyright of this drawing is reserved by HellermannTyton. It is issued on condition that it is not reproduced, copied, or disclosed to a third party, either wholly or in part, without the consent of HellermannTyton.

Drawn GAL 8/30/2017  
 Approved GAL 8/30/2017  
**HellermannTyton**  
 North America  
 Email: corp@htamericas.com  
 Web: www.hellermann.tyton.com

Article/Type-No MSC90  
 Title 90° METAL SOLAR CLIP LOW PROFILE  
 Drawing-No 17-0835-002-CSU  
 Production : Phase

Scale 6:1  
 Project Number PRP17-0835  
 Format B  
 Sheet 1/1