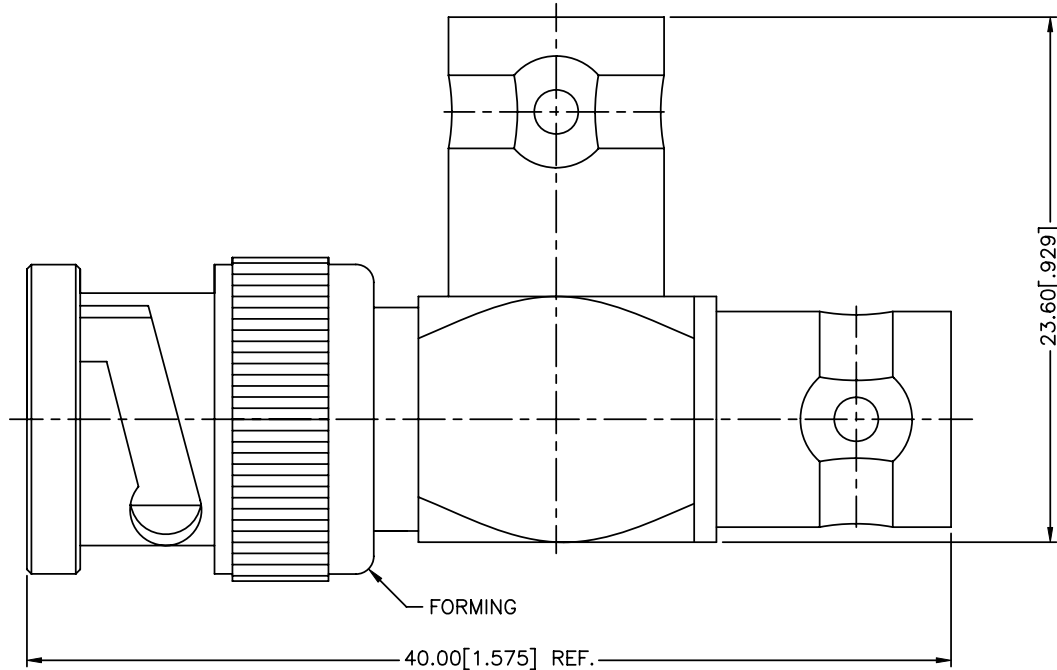


REV.	DATE	ECR NO.	DESCRIPTION
A	05-03-12	2309	UPDATE DRAWING FORMAT



4	CONTACT PIN	BRASS	GOLD	1
3	INSULATOR	PTFE	NATURAL	1
2	BODY	BRASS	NICKEL	1
1	SHELL	BRASS	NICKEL	1
DESCRIPTION	MATERIAL	FINISH	QTY	

UNLESS OTHERWISE SPECIFIED DIMENSIONS ARE IN MILLIMETERS. DIMENSIONS IN [] ARE IN INCHES AND FOR CUSTOMER REFERENCE ONLY.

UNLESS OTHERWISE SPECIFIED TOLERANCES FOR MILLIMETERS ARE:
0.5 - 8mm ± 0.20mm
8 - 30mm ± 0.40mm
30 - 120mm ± 0.50mm

UNLESS OTHERWISE SPECIFIED TOLERANCES FOR INCHES ARE:
.020 - .315 = ± 0.007"
.315 - 1.180 = ± 0.015"
1.180 - 4.724 = ± 0.020"

DO NOT SCALE DRAWING

APPROVALS	DATE
DRAWN R.MAO	05-03-12
CHECKED	
ISSUED	
SHEET 1 OF 1	
CAD FILE C:/CONNEX/112590.DWG	

<h1>Amphenol Connex</h1>			
PART DESCRIPTION BNC MALE TO DOUBLE BNC FEMALE			
PART NO. 112590			
DWG. NO.	112590.DWG	REV. A	SCALE NA