

PART NAME: KNOB

SCALE: 1:1

DATE: 6/28/61 DR. BY LSP

DAVIES MOLDING COMPANY
CAROL STREAM, ILLINOIS 60188

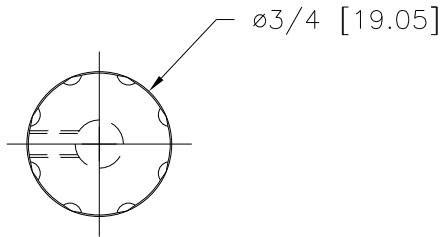
P/N 1914

THIS DRAWING IS THE PROPERTY OF DAVIES MOLDING COMPANY, IS SUBMITTED SOLELY AS A DESIGN OR ENGINEERING PROJECT.
WE ACCEPT NO RESPONSIBILITY WHATSOEVER FOR THE PRACTICAL APPLICATION OF THE PIECES MADE TO THIS DESIGN.

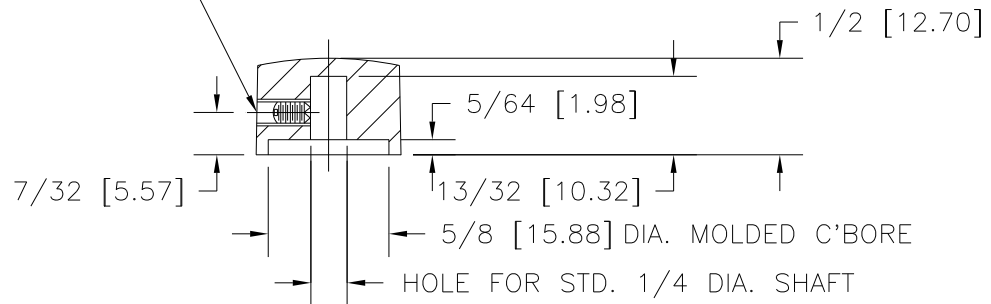
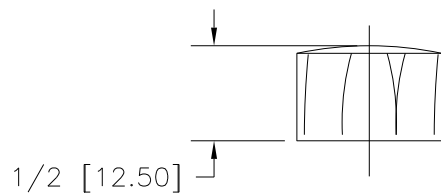
BASE PART 1914-01

CAD/REDRAWN : 11/4/92 : HD

SET SCREW I0095



USE # 32 DR.(.116 DIA.); # 6-32 TAP.
6-32 X 3/16 LG. CUP POINTED,
SLOTTED TYPE, SET SCREW I-95
ONE REQ'D. AS SHOWN



MATERIAL: G.P. PHENOLIC (B11)
COLOR: BLACK

TOLERANCES: UNLESS OTHERWISE SPECIFIED	DO NOT SCALE DRAWING			
DECIMALS: X.XXX ± .005 X.XX ± .015	MM: X.XX ± 0.15MM X.X ± 0.4MM	-	UPDATED/HAD TOOLBOX	EV. 8/21/02
FRACTIONS ± 1/64	ANG. ± 1°	CHANGES		