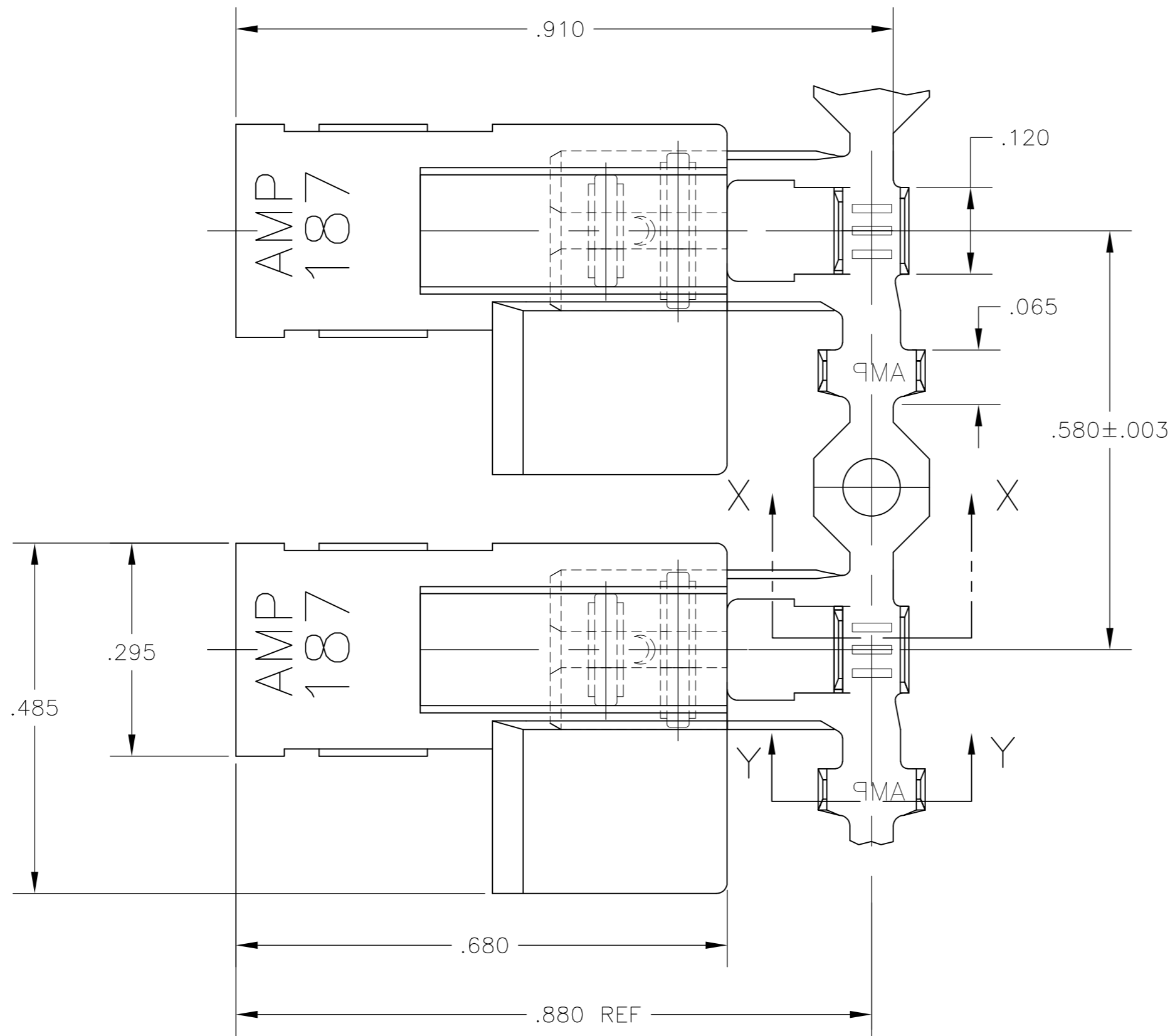
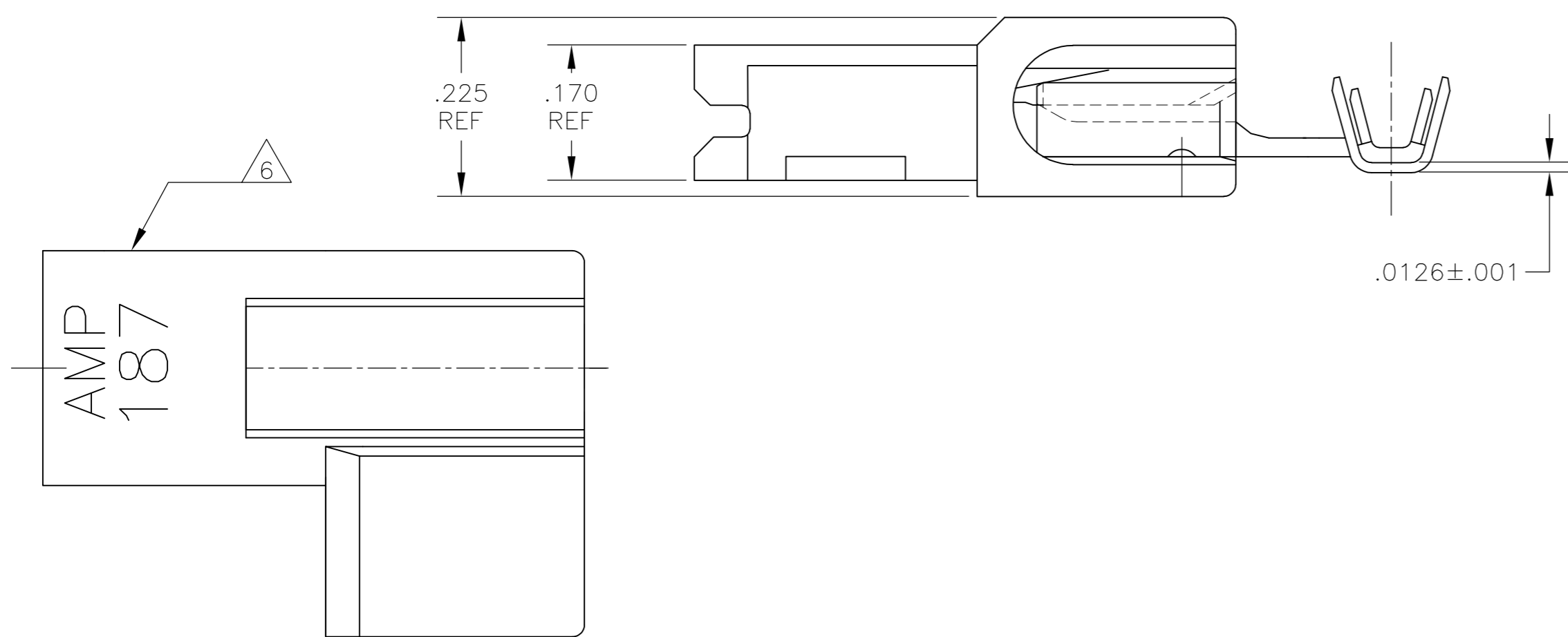
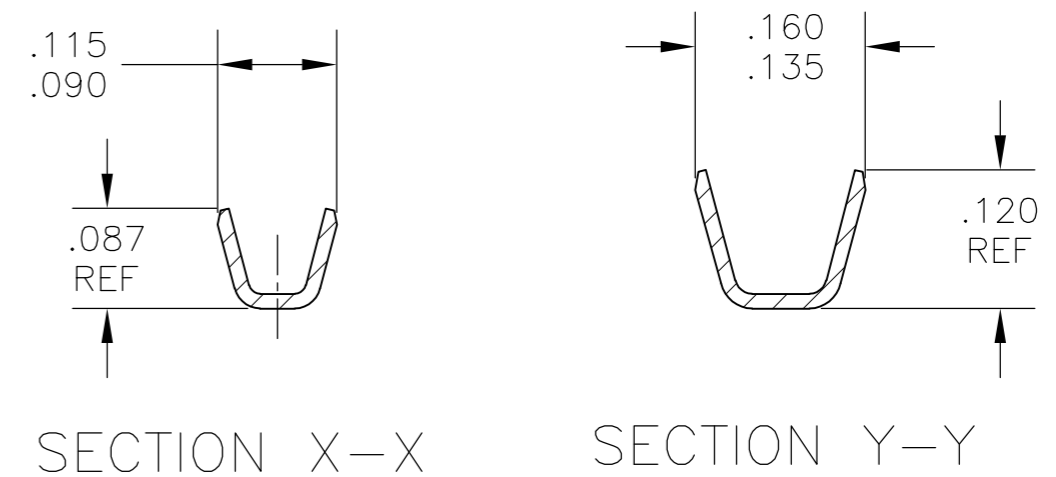


THIS DRAWING IS UNPUBLISHED. RELEASED FOR PUBLICATION
 © COPYRIGHT - By - ALL RIGHTS RESERVED.

LOC		DIST		REVISIONS			
P	LTR	DESCRIPTION		DATE	DWN	APVD	
AF	50	B	REVISED PER ECR-12-013062	17DEC12	KH	KR	



- 1 USE FLAG FASTON TERMINAL BASE
- 2 WIRE SIZE IS #22-#18 AWG
- 3 INSULATION RANGE IS .060-.110 DIA
- 4 MATERIAL;
 TERMINAL: BRASS, FINISH: SEE TABLE
 HOUSING: V2 NYLON, COLOR: NATURAL(WHITE)
- 5 FITS .187 X .032 THK FASTON TAB
- 6 ALTERNATIVE HOUSING FORM
- 7 PRELIMINARY - NOT FOR PRODUCTION
- 8 GLOW WIRE APPROVED; CONTACT TE ENGINEERING FOR SPECIFICATION (ALL WALL THICKNESSES ARE BETWEEN 0.4-3.0[.015-.118])



THIS DRAWING IS A CONTROLLED DOCUMENT.		DWN	RAGHAVENDRA	04APR2007	H M	
DIMENSIONS: INCHES		CHK	G D PORTA	04APR2007	NAME	
TOLERANCES UNLESS OTHERWISE SPECIFIED:		APVD	G D PORTA	04APR2007	ASSEMBLY, RECPT, FLAG, ULTRA-POD, .187 SERIES	
0 PLC	± -	PRODUCT SPEC	WIRE SIZE: 22-18 AWG			
1 PLC	± -	APPLICATION SPEC	-			
2 PLC	± -	WEIGHT	-	SIZE	CAGE CODE	DRAWING NO
3 PLC	± .010	FINISH	SEE NOTES	A2	00779	C=1969107
4 PLC	± -	MATERIAL	SEE NOTES	CUSTOMER DRAWING	SCALE	6:1
ANGLES	± -	RESTRICTED TO	-	SHEET	1 of 1	REV
MATERIAL		SEE NOTES		SCALE		6:1
FINISH		SEE NOTES		SHEET		1 of 1
SEE NOTES		SEE NOTES		REV		B

.000040 MIN TIN PLATE	8	1969107-2
NO PLATING	7	1969107-1
TERMINAL: FINISH	PART NO.	

