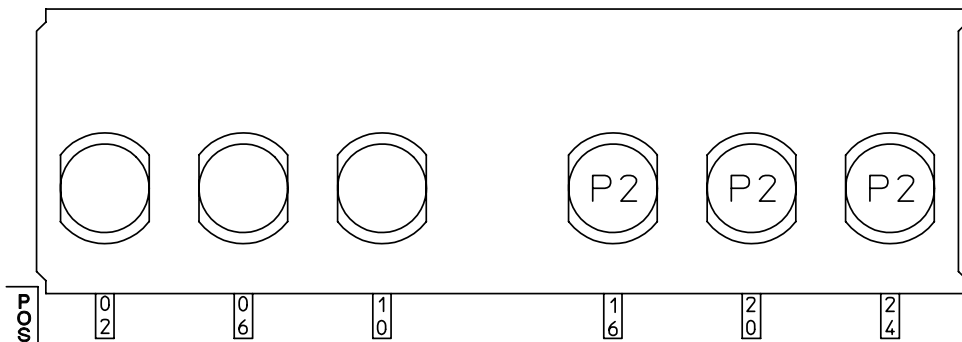


GEN. ST.	01	02	03	04	05	06	07	08	0D	50	60	70	80	90																	
INT. ST.	10	11	12	13	14	18	20	31	32	33	34	38	39	40	42	43	44	45	46	48	56	70	72	73	75	76	81	82	83	84	88

REV.	DATE	DESCRIPTION	BY	C'K'D'
A	2001-09-14	CONVERSION REVISION 01	KN	
B	2005-11-10	105-0229	ALEX B	BKP
C	2006-08-08	106-0144	VIVEK	BKP

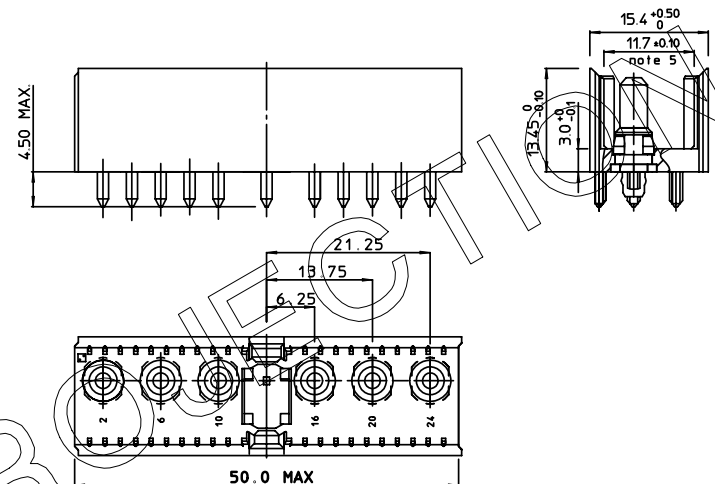
LOADING PATTERN REAR MATING SIDE



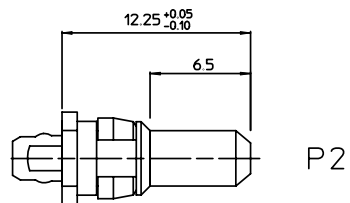
NOTE : FOR CONTACT CODE SEE CONTACT OVERVIEW

SHEET NR. : 2

LOADED CONNECTOR ASSEMBLY (FOR EXAMPLE)



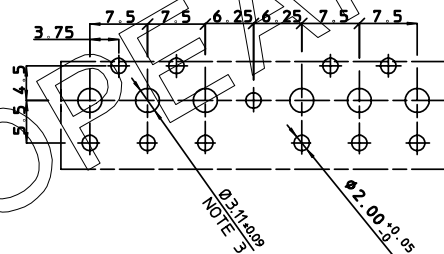
CONTACT OVERVIEW



PERFORMANCE CHARACTERISTICS:

- \*MIN. PRESS-FIT RETENTION FORCE : 20N
- \*MAX. CURRENT: 40 A
- \*MAX. CONTACT RESISTANCE: 5 mΩ

LAY-OUT P.C.B.-HOLE



LEAD FREE INDICATOR : LF = LEAD FREE (DIGIT 13 & 14)

HM2A30PG6020-5

NOTES

- THIS PRODUCT IS CSA APPROVED. THIS PRODUCT IS UL RECOGNIZED.
- FOR PRE-ASSEMBLED POWER PRESS-FIT CONTACTS, SEE DRAWING NR.:
  - BS.A.201624.017
  - BS.A.201624.018
- PCB HOLE DEFINITION:

Ø drilled hole	Cu plating	SnPb/Sn plating	Ø finished hole after reflow
3.19 - 3.25	25 µm min.	5 µm min.	3.02 - 3.20

- PLATING: 1.5µm Au over 2.0µm Ni (MATING AREA).
- MEASURED AT THE BOTTOM.
- ALLOWED PCB THICKNESS: MIN. 1.8 MM
- THE PRODUCT (LF) MEETS EUROPEAN UNION DIRECTIVES AND OTHER COUNTRY REGULATIONS AS DESCRIBED IN GS-22-008

1DEC ±0,2 2DEC ±0,1 ANGLES ±1°	APPR. DRAFT CHECKED	DATE 1998-10-09	SIGN. M.Frel	LOADING PATTERN / TYPE L / PRE-ASS. CONN.
WE RESERVE THE RIGHT TO CHANGE DIMENSIONS OR REQUIREMENTS WITHOUT PRIOR NOTICE.	PROD. MGR. PR. ENG. MGR. PR. MGT. MGR.			CAT. No. HM2A30PG6020--
ALL DIMENSIONS IN MM				SCALE
	REFERENCES			www.fciconnect.com
				BS,C ,202498,002
				C
				DRAWING No. CUSTOMER DRAWING REVISION

THIS IS OUR EXCLUSIVE PROPERTY. IT IS NOT TO BE COPIED, REPRINTED OR DISCLOSED TO A THIRD PARTY, NOR USED FOR MANUFACTURING WITHOUT OUR WRITTEN CONSENT, AND HAS TO BE RETURNED TO US IN CASE OF NO USAGE

DIT IS ONZE EIGENDOM EN MAG NOCH NAGEMAAKT, HERKORKT, OVERGEHAAKT AAN DERDEN, NOCH VOOR FABRIKATIE GEBRUIKT WORDEN, ZONDER ONZE SCHRIFTELIJKE TOELATING. BIJ NIET GEBRUIK IS TERUGZENDING VERPLICHT.