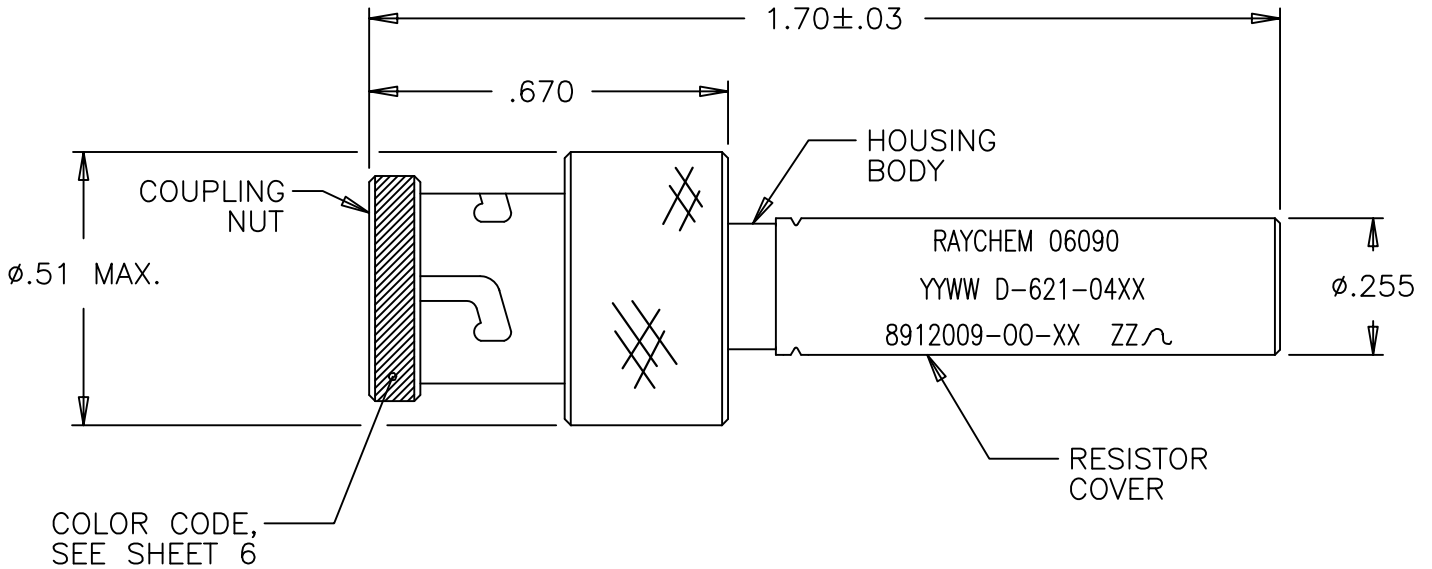


| REVISIONS | | | |
|-----------|---|-----------|----------|
| LTR | DESCRIPTION | DATE | APPROVED |
| D | REVISED PER ECN T-14105 (LANYARD WAS 6in) | 90MAR29 | Z. TEMAN |
| E | REVISED PER ECN# T-17959 | 93JAN06 | Z. TEMAN |
| F | REVISED PER ECN# T-21489 | 6/10/97 | Z. TEMAN |
| F1 | REVISED DWG PER ECO-11-009073 | 5/02/2011 | E.CHEN |

NOTE: (-L) ADDED TO D-621-04XX NUMBER INDICATES LANYARD (See Sheets 3 and 4),


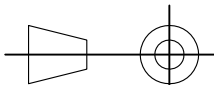


(TRIAxIAL CONNECTOR, PLUG WEIGHT: 16 GRAMS MAX.)

If this document is printed it becomes uncontrolled. Check for the latest revision

© 2011 Tyco Electronics Corporation. All Rights Reserved.

Raychem Databus
CUSTOMER DRAWING

| | | | | |
|--|---|--|--|--|
| UNLESS OTHERWISE SPECIFIED DIMENSIONS ARE IN INCHES. METRIC DIMENSIONS ARE IN BRACKETS. DECIMALS .XXX ± .005 { — mm } .XX ± .01 { — mm } ANGLES .X ± 1° WEIGHT — lbs { — g MAX. } | DRAWN J.B.K. 89 JULY 21 |  TE Connectivity | TITLE CORROSION RESISTANT CONNECTOR, TRIAXIAL, BAYONET COUPLED, RESISTOR TERMINATOR | |
| | CHECKED | | | |
| | APPROVED | | | |
| | APPROVED Z.TEMAN 89 JULY 26 | | | |
| | CAD NAME D-621-0453_0484-La_CD_F1 | SIZE CODE IDENT. NO. DWG. NO. REV A 06090 D-621-0453/0484-L F1 | | |
| THIRD ANGLE PROJECTION |  | DO NOT SCALE THIS DRAWING | SHEET 1 OF 7 | |





(TRIAXIAL CONNECTOR, JACK WEIGHT: 14 GRAMS MAX.)

Raychem Databus
CUSTOMER DRAWING

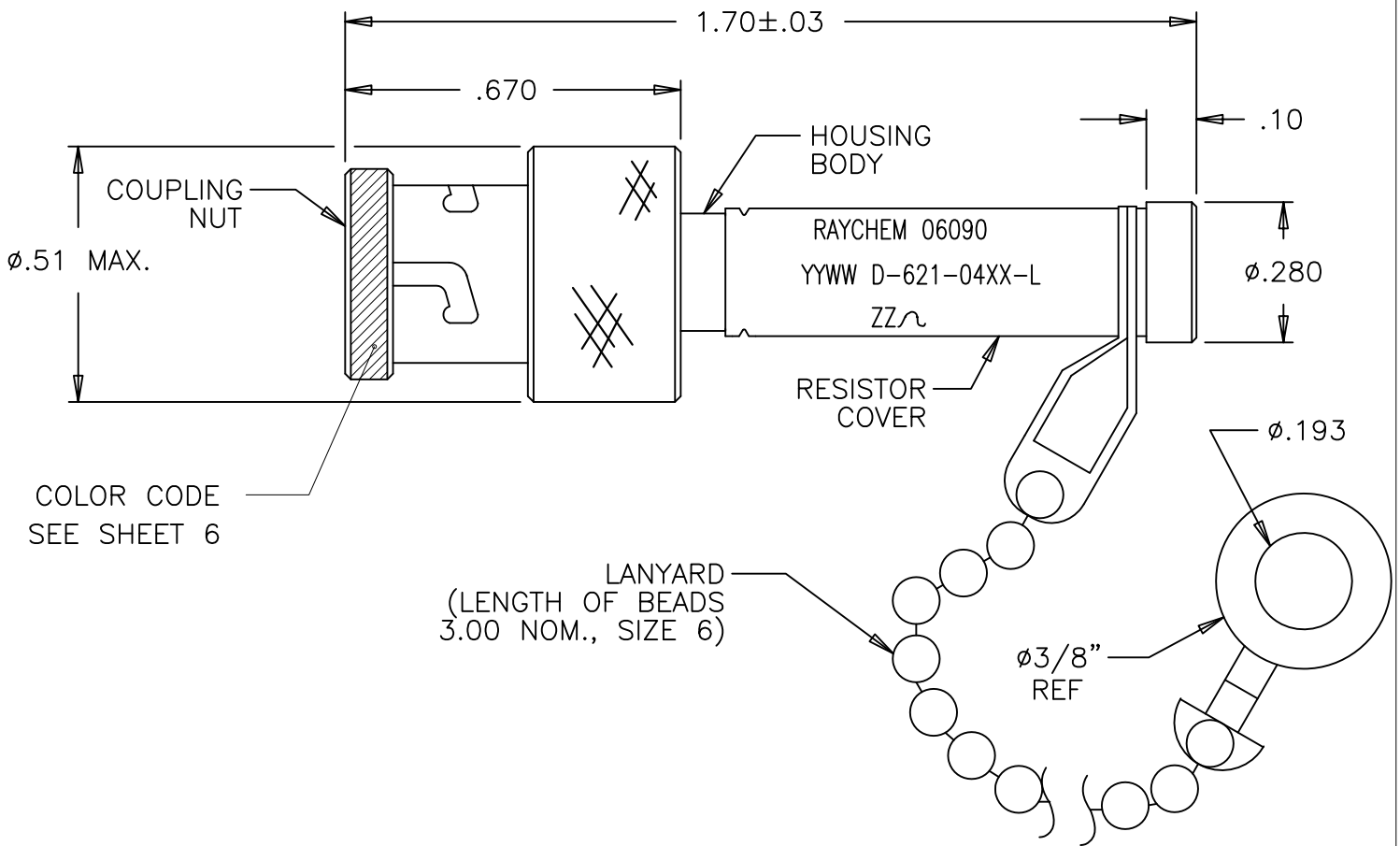
If this document is printed it becomes uncontrolled. Check for the latest revision



TE Connectivity

| | | | | | | | |
|---------------------------------------|--------|--------|------------|---------------------------|--------------------------|-------------------------------|-----------|
| CAD NAME: D-621-0453_0484-Lb_CD_F1 | DRAWN | J.B.K. | 89 JULY 21 | SIZE A | CODE IDENT. NO. 06090 | DWG. NO. D-621-0453/0484-L | REV F1 |
| | ISSUED | | | DO NOT SCALE THIS DRAWING | | SHEET 2 OF 7 | |





COLOR CODE
SEE SHEET 6

(TRIAxIAL CONNECTOR, WITH LANYARD, PLUG WEIGHT: 21 GRAMS MAX.)

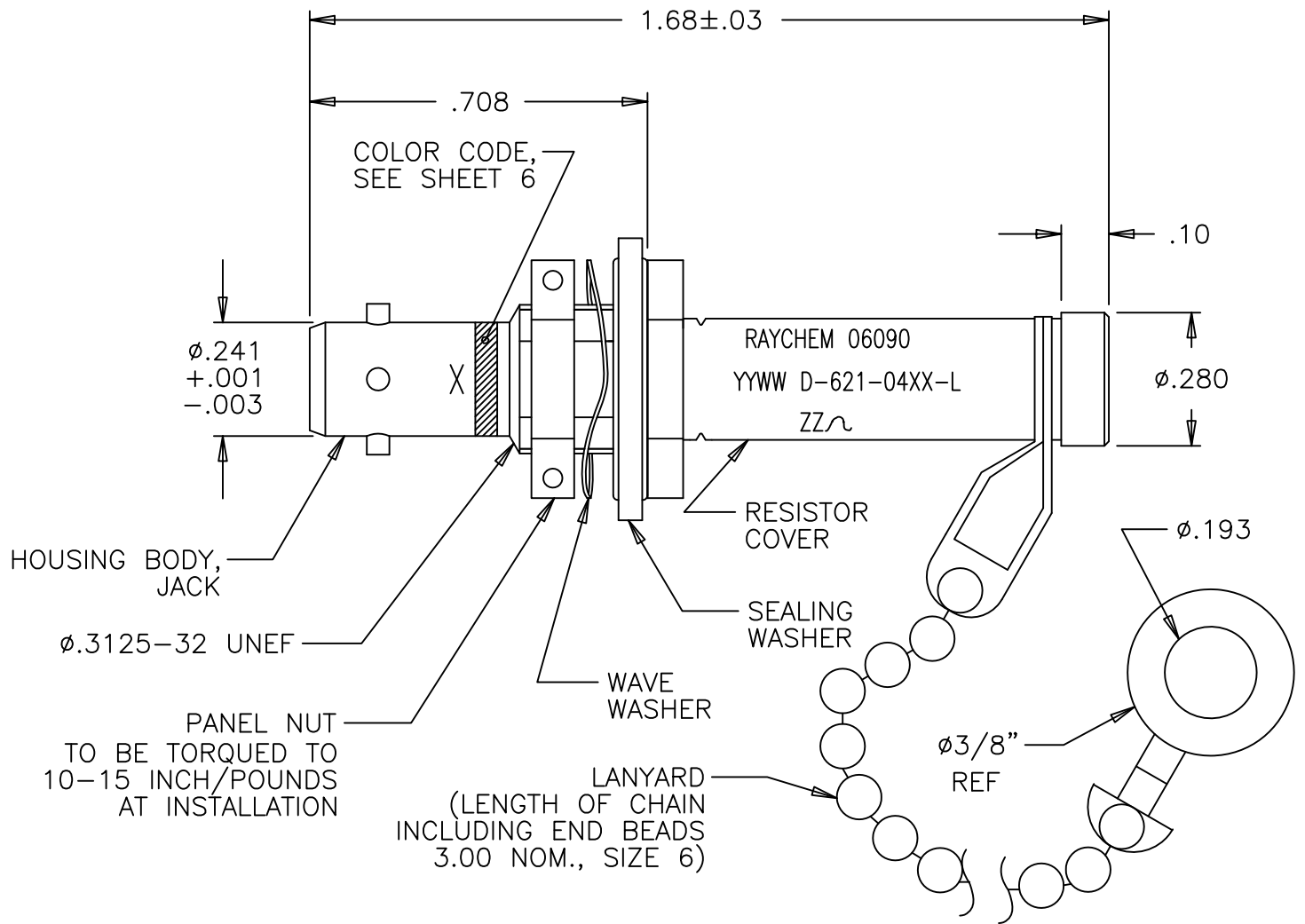
Raychem Databus
CUSTOMER DRAWING

If this document is printed it becomes uncontrolled. Check for the latest revision



TE Connectivity

| | | | | | | | |
|---------------------------------------|--------|--------|-----------|---------------------------|--------------------------|-------------------------------|-----------|
| CAD NAME: D-621-0453_0484-Lc_CD_F1 | DRAWN | J.B.K. | 89 AUG 25 | SIZE A | CODE IDENT. NO. 06090 | DWG. NO. D-621-0453/0484-L | REV F1 |
| | ISSUED | | | DO NOT SCALE THIS DRAWING | | SHEET 3 OF 7 | |



TRIAxIAL CONNECTOR, WITH LANYARD, JACK WEIGHT: 19 GRAMS MAX.)

Raychem Databus
CUSTOMER DRAWING

If this document is printed it becomes uncontrolled. Check for the latest revision



TE Connectivity

| | | | | | | | |
|---------------------------------------|--------|--------|------------|---------------------------|--------------------------|-------------------------------|-----------|
| CAD NAME: D-621-0453_0484-Ld_CD_F1 | DRAWN | J.B.K. | 89 JULY 21 | SIZE A | CODE IDENT. NO. 06090 | DWG. NO. D-621-0453/0484-L | REV F1 |
| | ISSUED | | | DO NOT SCALE THIS DRAWING | | SHEET 4 OF 7 | |





1.0 MATERIALS AND FINISHES

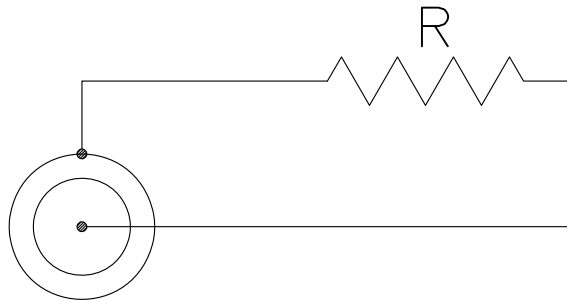
- 1.1 HOUSING BODY: BECU PER ASTM B 196, TIN PLATED PER MIL-T-10727, OVER NICKEL PER QQ-N-290
- 1.1.1 INSULATION: POLYETHERSULFONE
- 1.2 COUPLING NUT: BECU PER ASTM B 196, TIN PLATED PER MIL-T-10727, OVER NICKEL PER QQ-N-290
(PLUG)
- 1.2.1 INTERFACIAL SEAL: SILICONE RUBBER
- 1.3 PANEL NUT: BRASS ALLOY PER ASTM B16, TIN PLATED PER MIL-T-10727
(JACK)
- 1.4 WAVE WASHER: BECU PER ASTM B194, TIN PLATED PER MIL-T-10727
(JACK)
- 1.5 SEALING WASHER: SILICONE RUBBER (AMS 3304), STAINLESS STEEL PER
(JACK) MIL-S-5059, PASSIVATED PER QQ-P-35.
- 1.6 RESISTOR COVER: 300 SERIES STAINLESS STEEL PER ASTM A582,
TIN PLATED PER MIL-T-10727,
OVER NICKEL PER MIL-C-26074
- 1.7 LANYARD: CORROSION RESISTANT STEEL,
TIN PLATED PER MIL-T-10727,
OVER NICKEL PER QQ-N-290

2.0 PERFORMANCE CAPABILITIES

2.1 REFER TO RAYCHEM SPECIFICATION D-6025 (SUPERSEDES D-6050) AND D-6020 FOR PERFORMANCE AND QUALIFICATION REQUIREMENTS.

2.2 GENERAL CHARACTERISTICS.

- 2.2.1 OPERATING TEMPERATURE: -65°C TO 125°C
- 2.2.2 INSULATION RESISTANCE: GREATER THEN 5K MEG *
- 2.2.3 DIELECTRIC STRENGTH: 900 VAC AT 60 Hz *
- 2.2.4 POWER RATING: 1 WATT MAX.
- 2.2.5 TERMINATOR RESISTANCE: SEE RESISTANCE VALUES, SHEET 7 OF 7
- 2.2.6 SALT SPRAY CORROSION RESISTANCE: 500 HOURS



* BETWEEN INNER COAXIAL CONTACT AND OUTER HOUSING

R = SEE SHEET 7 OF 7 FOR RESISTANCE VALUE ±2%

Raychem Databus
CUSTOMER DRAWING

If this document is printed it becomes uncontrolled. Check for the latest revision

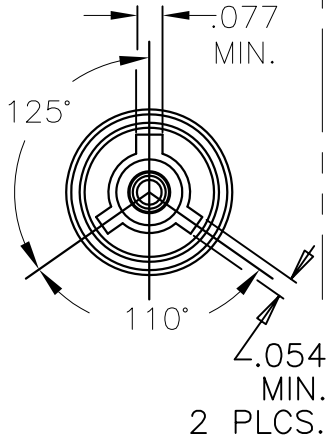


TE Connectivity

| | | | | | | | |
|---------------------------------------|--------|--------|------------|------|-----------------|-------------------|-----|
| CAD NAME: D-621-0453_0484-Le_CD_F1 | DRAWN | J.B.K. | 89 JULY 21 | SIZE | CODE IDENT. NO. | DWG. NO. | REV |
| | ISSUED | | | A | 06090 | D-621-0453/0484-L | F1 |
| DO NOT SCALE THIS DRAWING | | | | | | SHEET 5 OF 7 | |

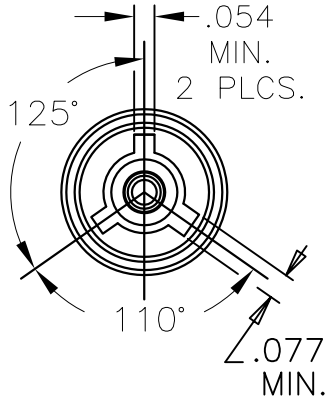


INTERFACE
"A"
PLUG



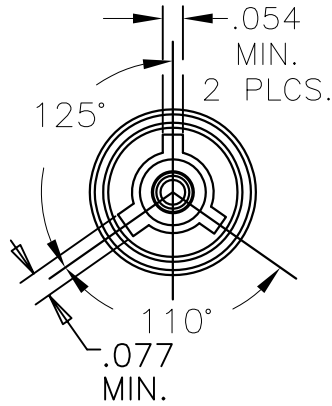
COLOR CODE: RED

INTERFACE
"B"
PLUG



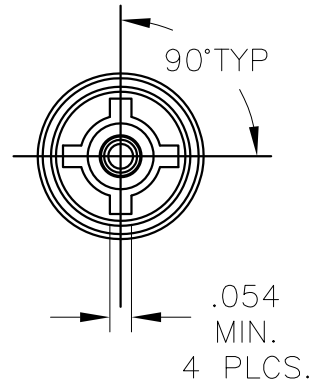
COLOR CODE: WHITE

INTERFACE
"C"
PLUG



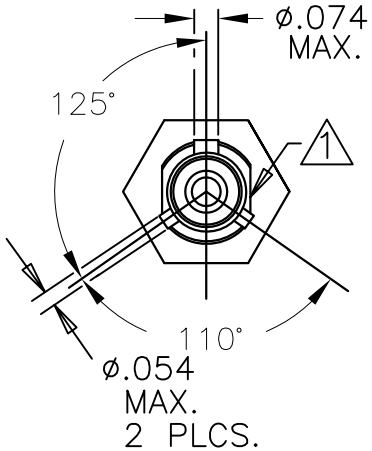
COLOR CODE: GREEN

INTERFACE
"D"
PLUG

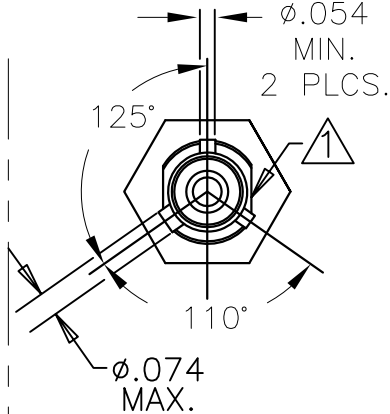


NO COLOR CODE

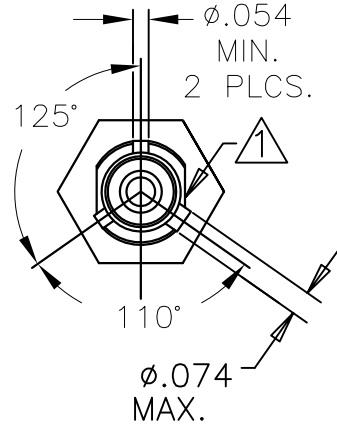
JACK



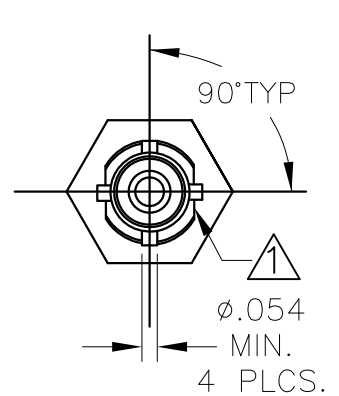
JACK



JACK



JACK



NOTES:

① MAJOR KEY ORIENTATION WITH RESPECT TO FLATS IS NOT CONTROLLED.

Raychem Databus
CUSTOMER DRAWING

If this document is printed it becomes uncontrolled. Check for the latest revision



TE Connectivity

CAD NAME:

DRAWN

J.B.K.

89 JULY 21

SIZE

CODE IDENT. NO.

DWG. NO.

REV

D-621-0453_0484-Lf_CD_F1

A

06090

D-621-0453/0484-L

F1

ISSUED

DO NOT SCALE THIS DRAWING

SHEET 6 OF 7

NOTES:

- ① SUFFIX -L INDICATES PARTS WITH LANYARD, SEE SHEETS 3 AND 4.
 -L PARTS DO NOT HAVE USAF NUMBERS.

| DRAWING NO. ① | USAF DRAWING NO. ① | DESCRIPTION | | | RESISTANCE VALUE ±2% |
|----------------|--------------------|-------------|-----------|-------------------|----------------------|
| | | CONNECTOR | INTERFACE | INSTALLED CONTACT | |
| D-621-0453(-L) | 8912009-00-05 | PLUG | "A" | PIN | 78 OHMS |
| D-621-0454(-L) | 8912009-00-06 | PLUG | "B" | PIN | 78 OHMS |
| D-621-0455(-L) | 8912009-00-07 | PLUG | "C" | PIN | 78 OHMS |
| D-621-0456(-L) | 8912009-00-08 | PLUG | "D" | PIN | 78 OHMS |
| D-621-0457(-L) | 8912009-00-01 | PLUG | "A" | PIN | 3000 OHMS |
| D-621-0458(-L) | 8912009-00-02 | PLUG | "B" | PIN | 3000 OHMS |
| D-621-0459(-L) | 8912009-00-03 | PLUG | "C" | PIN | 3000 OHMS |
| D-621-0460(-L) | 8912009-00-12 | PLUG | "D" | SOCKET | 3000 OHMS |
| D-621-0461(-L) | 8912010-00-13 | JACK | "A" | SOCKET | 78 OHMS |
| D-621-0462(-L) | 8912010-00-14 | JACK | "B" | SOCKET | 78 OHMS |
| D-621-0463(-L) | 8912010-00-15 | JACK | "C" | SOCKET | 78 OHMS |
| D-621-0464(-L) | 8912010-00-16 | JACK | "D" | SOCKET | 78 OHMS |
| D-621-0465(-L) | 8912010-00-09 | JACK | "A" | SOCKET | 3000 OHMS |
| D-621-0466(-L) | 8912010-00-10 | JACK | "B" | SOCKET | 3000 OHMS |
| D-621-0467(-L) | 8912009-00-11 | JACK | "C" | SOCKET | 3000 OHMS |
| D-621-0468(-L) | 8912009-00-12 | JACK | "D" | SOCKET | 3000 OHMS |
| D-621-0469(-L) | 8912009-00-13 | PLUG | "A" | SOCKET | 78 OHMS |
| D-621-0470(-L) | 8912009-00-14 | PLUG | "B" | SOCKET | 78 OHMS |
| D-621-0471(-L) | 8912009-00-15 | PLUG | "C" | SOCKET | 78 OHMS |
| D-621-0472(-L) | 8912009-00-16 | PLUG | "D" | SOCKET | 78 OHMS |
| D-621-0473(-L) | 8912009-00-09 | PLUG | "A" | SOCKET | 3000 OHMS |
| D-621-0474(-L) | 8912009-00-10 | PLUG | "B" | SOCKET | 3000 OHMS |
| D-621-0475(-L) | 8912009-00-11 | PLUG | "C" | SOCKET | 3000 OHMS |
| D-621-0476(-L) | 8912009-00-04 | PLUG | "D" | PIN | 3000 OHMS |
| D-621-0477(-L) | 8912009-00-05 | JACK | "A" | PIN | 78 OHMS |
| D-621-0478(-L) | 8912009-00-06 | JACK | "B" | PIN | 78 OHMS |
| D-621-0479(-L) | 8912009-00-07 | JACK | "C" | PIN | 78 OHMS |
| D-621-0480(-L) | 8912009-00-08 | JACK | "D" | PIN | 78 OHMS |
| D-621-0481(-L) | 8912009-00-01 | JACK | "A" | PIN | 3000 OHMS |
| D-621-0482(-L) | 8912009-00-02 | JACK | "B" | PIN | 3000 OHMS |
| D-621-0483(-L) | 8912009-00-03 | JACK | "C" | PIN | 3000 OHMS |
| D-621-0484(-L) | 8912009-00-04 | JACK | "D" | PIN | 3000 OHMS |

Raychem Databus
CUSTOMER DRAWING

If this document is printed it becomes uncontrolled. Check for the latest revision



TE Connectivity

| | | | | | | | |
|---------------------------------------|--------|--------|-----------|------|-----------------|-------------------|-----|
| CAD NAME: D-621-0453_0484-Lg_CD_F1 | DRAWN | J.B.K. | 89 AUG 25 | SIZE | CODE IDENT. NO. | DWG. NO. | REV |
| | ISSUED | | | A | 06090 | D-621-0453/0484-L | F1 |
| DO NOT SCALE THIS DRAWING | | | | | | SHEET 7 OF 7 | |

