

4

3

2

1

THIS DRAWING IS UNPUBLISHED.
DIFFUSION RESTREINTE AMP

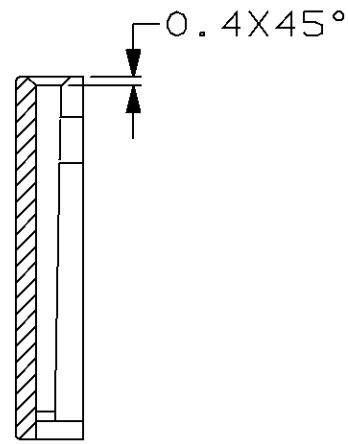
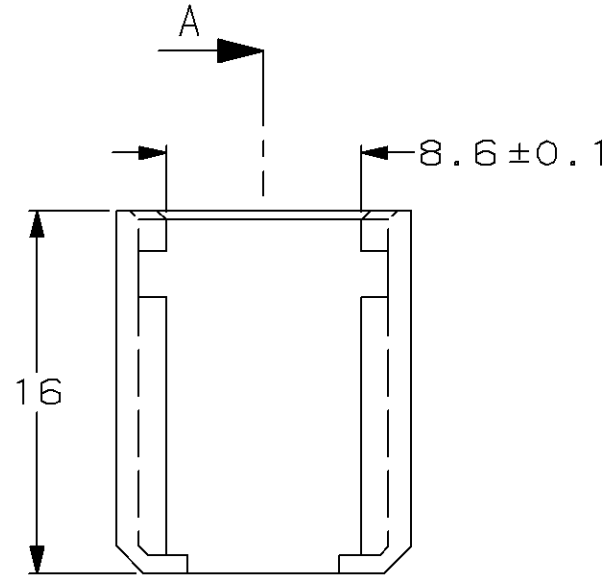
RELEASED FOR PUBLICATION
DIFFUSION PUBLIQUE
BY AMP INCORPORATED. ALL RIGHTS RESERVED.
TOUS DROITS RESERVES

,19

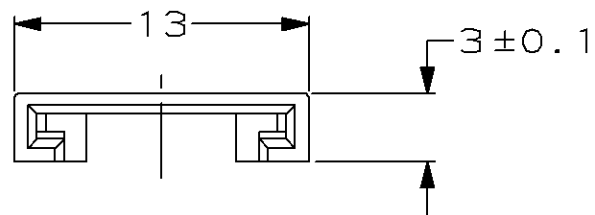
LOC F DIST 7

REVISIONS

| P | LTR REV | DESCRIPTION MODIFICATIONS | DATE | DWN DESS. | APVD APP. |
|---|---------|---------------------------|-----------|-----------|-----------|
| | A | UP DATED | 09/94 | DE | - |
| | B | NEW TITLE BLOCK | 09-OCT-96 | MP | - |
| | C | ENGLISH TRANSLATION | 18-MAR-98 | JL | - |



SECTION A-A



| | | | |
|---|---|---|--|
| THIS DRAWING IS A CONTROLLED DOCUMENT FOR AMP INCORPORATED. IT IS SUBJECT TO CHANGE AND THE CONTROLLING ENGINEERING ORGANIZATION SHOULD BE CONTACTED FOR THE LATEST REVISION. CE PLAN EST UN DOCUMENT CONTROLE PAR AMP INCORPORATED. IL EST SUSCEPTIBLE D'ETRE REVISE. CONTACTER LE SERVICE TECHNIQUE D'AMP DE FRANCE POUR OBTENIR LA DERNIERE REVISION. | | DWN/DESSINE 04/11/93 D. ELISEI CHK/VERIFIE 08-APR-98 J. LALANGE APVD/APPROUVE 08-APR-98 JJ. REVIL | AMP AMP DE FRANCE 95301 PONTOISE |
| DIMENSIONS: mm | TOLERANCES UNLESS OTHERWISE SPECIFIED: TOLERANCES NON SPECIFIEES (SUIV NB DE DECIMALES): ± 0.3 ± 0.1 ± 0.05 ± 0.02 ANGLES $\pm 5^\circ$ | NAME TITRE LOCKING DEVICE FOR MQS HOUSING | SIZE FORMAT A3 |
| | MATERIAL MATIERE PBT | APPLICATION SPEC SPEC. APPLICATION - | CAGE CODE 00779 |
| AMP PART NUMBER 144936-1 | DESCRIPTION LOCKING DEVICE FOR MQS HOUSING | WEIGHT MASSE APPROX. - | DRAWING NO No PLAN 144936 |
| COLOR (COULEUR) BLACK (NOIR) | CUSTOMER DRAWING/PLAN CLIENT UNIQUEMENT POUR REFERENCE | SCALE ECHELLE 1:1 | SHEET OF FEUILLE OF DE 1 DE 1 |