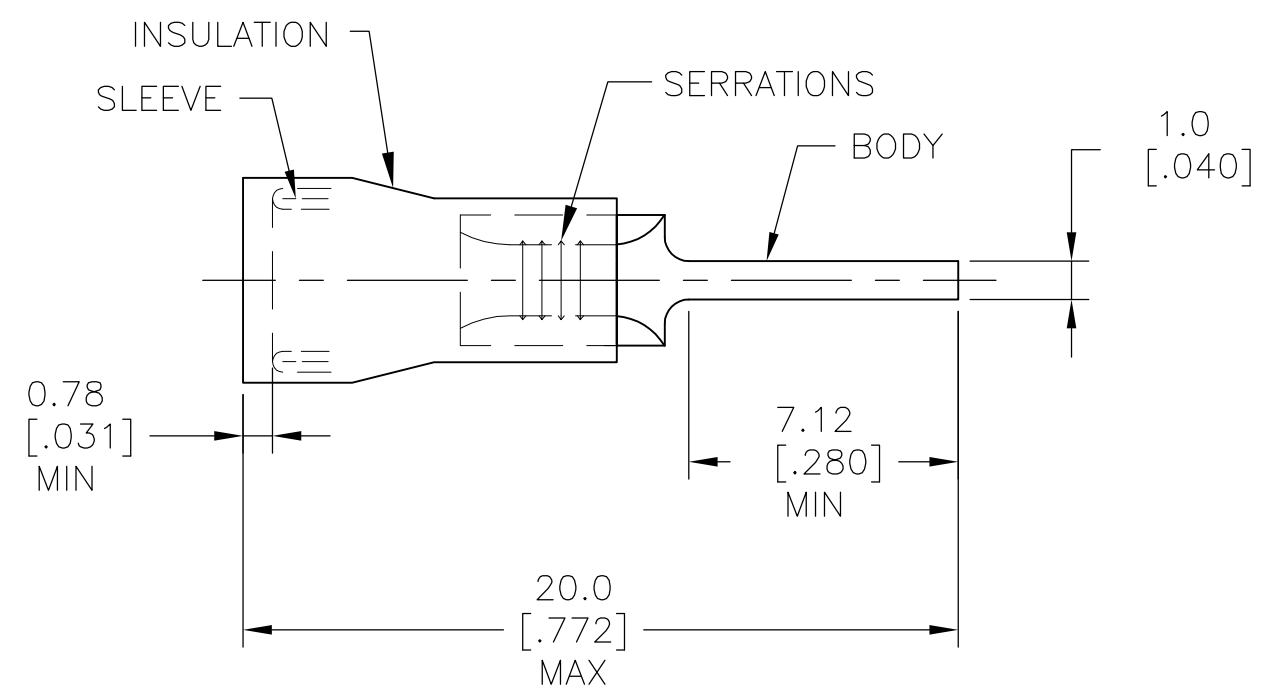


THIS DRAWING IS UNPUBLISHED. RELEASED FOR PUBLICATION
 © COPYRIGHT - By - ALL RIGHTS RESERVED.

LOC	DIST	REVISIONS					
		P	LTR	DESCRIPTION	DATE	DWN	APVD
			A1	REVISED PER ECO-12-016312	13SEP12	KH	DR

- 1 WIRE RANGE: 22-16AWG
- 2 INSULATION RANGE: 2.7-3.6 [.105-.140] DIA
- 3 TAB MATERIAL-THICKNESS 0.8[.033] MAX
- △4 MATERIAL:
BODY&SLEEVE: COPPER PER ASTM B152
INSULATION: NYLON.
- △5 FINISH: TIN PLATE PER ASTM B545
INSULATION: COLOR-RED



165446
PART NO

CUSTOMER SERVICE SYSTEMS		MAX RECOMMENDED OPERATING TEMPERATURE: 105°[221°F]	THIS DRAWING IS A CONTROLLED DOCUMENT.		DWN KIRAN HOLAL 13SEP2012	TE Connectivity PIDG NYLON TAB				
FOR ADDITIONAL PRODUCT INFORMATION OR COPIES OF DRAWINGS AND TECHNICAL DOCUMENTS	PRODUCT INFORMATION CENTER 1-800-522-6752	VOLTAGE RATING: 300V MAX	DIMENSIONS: mm [INCHES]	TOLERANCES UNLESS OTHERWISE SPECIFIED:	CHK ROHDE DANIEL 13SEP2012					NAME
FOR APPLICATION TOOLING INFORMATION	TOOLING ASSISTANCE CENTER 1-800-722-1111	CIRCULAR MIL AREA: 0.26-1.6 mm ² SOLID OR STRANDED		0 PLC ± - 1 PLC ± 0.2[.008] 2 PLC ± - 3 PLC ± - 4 PLC ± - ANGLES ± -	APVD ROHDE DANIEL 13SEP2012	PRODUCT SPEC				
FOR ORDER ENTRY	1-800-526-5142	THIS DRAWING IS A CONTROLLED DOCUMENT FOR AMP INCORPORATED. IT IS SUBJECT TO CHANGE AND THE CONTROLLING ENGINEERING ORGANIZATION SHOULD BE CONTACTED FOR THE LATEST REVISION.	MATERIAL △4	FINISH △5	APPLICATION SPEC	SIZE	CAGE CODE	DRAWING NO	RESTRICTED TO	
						WEIGHT	A3	00779	C-165446	-
CUSTOMER DRAWING					SCALE	1:1	SHEET	1 OF 1	REV	A1