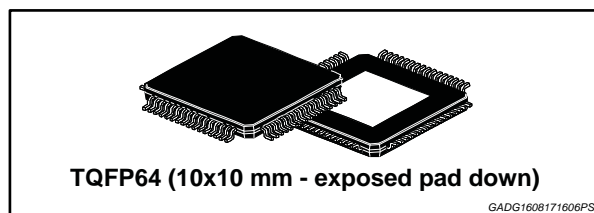


Automotive peripheral on chip for low end engine control

Datasheet - production data



Features



- AEC-Q100 qualified
- Supply voltage from 6 V to 18 V
 - Basic functionality guaranteed down to 3.9 V
- 5 V regulator up to 300 mA with thermal shutdown protection in current limitation condition
- 5 V tracking regulator up to 40 mA and short to battery protection
- 5 V standby regulator up to 2.5 mA
- 2 channels injectors drivers
 - Parallel and serial driving
 - Output internally clamped to 60 V
 - Minimum overcurrent at 2.8 A
 - Ron 0.6 Ω worst case (at T_j = 150 °C)
- 3 relay drivers
 - 2 with parallel and serial driving, 1 with serial driving
 - Output internally clamped to 45 V
 - Minimum guaranteed output current 1 A
 - Ron 1.5 Ω worst case (at T_j = 150 °C)
- Tachometer driver
 - Parallel and serial driving
 - Minimum guaranteed output current 25 mA
 - Ron 5 Ω worst case (at T_j = 150 °C)
- Lamp driver
 - Serial driving
 - Output internally clamped to 45 V
 - Minimum guaranteed output current 1 A (2 A during in-rush)
- Ron 1.5 Ω worst case (at T_j = 150 °C)
- Stepper motor driver
 - Parallel driving
 - Minimum guaranteed output current 500 mA - full step
 - Ron 2.6 Ω worst case on the diagonal (at T_j = 150 °C)
- O2 sensor heater
 - Parallel and serial driving
 - Output internally clamped to 45 V
 - Minimum guaranteed output current 3 A
 - Ron 0.5 Ω worst case (at T_j = 150 °C)
- Protected high side driver
 - 100 mA min. current limitation threshold
- Full diagnosis by SPI
 - Injector driver: OL, STG, OC
 - Relay and Lamp drivers: OL, STG, OC
 - O2 sensor heater: OL, STG, OC
 - Tachometer: OL, STG, OC
 - Stepper motor driver: OL, STG, STB, OC
 - general diagnostic: over-temperature
- Protection for STB, STG (for stepper motor drivers and tracking regulator)
- Self configuring variable reluctance sensor interface
- K-line transceiver
- Microcontroller reset logic
- Small Factor form package TQFP64 10 x 10 mm exposed pad down

Table 1: Device summary

Order code	Package	Packing
L9177A	TQFP64 (10x10 mm),	Tray
L9177ATR	exposed pad down (7.5x7.5 mm)	Tape and reel

Contents

1 Description..... 6

2 Block diagram and pin description 7

 2.1 Block diagram 7

 2.2 Pin description..... 8

3 Electrical specifications..... 11

 3.1 Operating range 11

 3.1.1 Supply voltage 11

 3.2 Absolute maximum ratings 12

 3.3 Latch-up test 13

 3.4 Temperature ranges and thermal data 14

 3.5 Electrical characteristics..... 14

 3.5.1 Supply..... 14

 3.5.2 Key..... 15

 3.5.3 Digital pins 15

 3.5.4 Digital output pins 16

 3.5.5 5 V voltage regulator 16

 3.5.6 Reset 17

 3.5.7 5 V tracking voltage regulator..... 18

 3.5.8 Standby regulator 19

 3.5.9 High side switch..... 20

 3.5.10 Injector driver 20

 3.5.11 Relay drivers..... 22

 3.5.12 Lamp driver..... 22

 3.5.13 Tachometer driver 23

 3.5.14 Stepper motor driver 23

 3.5.15 O2 sensor heater driver..... 25

 3.5.16 Variable reluctance sensor interface 26

 3.5.17 K-line..... 27

 3.5.18 SPI interface 29

4 Functional description 31

 4.1 Chip working conditions 31

 4.2 Chip bias current generation 32

 4.3 Power up/down sequences 32

 4.4 SPI 33

 4.4.1 Data in (DIN)..... 34



4.4.2	Data out	35
4.5	Diagnosis	36
4.5.1	Voltage regulators thermal warning and shutdown	36
4.5.2	Overvoltage shut down	36
4.5.3	Undervoltage shut down	36
4.5.4	Low side on/off diagnosis (INJ, RLY's, TACH, O2H)	37
4.5.5	Lamp driver on/off diagnosis	38
4.5.6	Stepper motor driver off diagnosis (EN signal low and output in high impedance state)	39
4.5.7	Stepper motor driver on diagnosis (EN signal high and output driven by input commands)	39
4.5.8	VRS diagnosis	41
4.6	VRS interface	41
4.6.1	Function characteristic.....	41
4.6.2	Auto-adaptative hysteresis	42
4.6.3	Auto-adaptative time filter.....	44
5	Low side drivers	46
6	Application circuit	48
6.1	Bill of material.....	49
7	Package information	50
7.1	TQFP64 (10x10x1 mm exp. pad down) package information	50
8	Revision history	53

List of tables

Table 1: Device summary	1
Table 2: Pin function	8
Table 3: Operating conditions	11
Table 4: Absolute maximum ratings	12
Table 5: ESD protection	13
Table 6: Temperature ranges and thermal data	14
Table 7: Supply electrical characteristics	14
Table 8: Key electrical characteristics	15
Table 9: Digital pins characteristics	15
Table 10: Digital output pins characteristics	16
Table 11: VDD output electrical characteristics	16
Table 12: Reset function electrical characteristics	17
Table 13: VDD_TRK output electrical characteristics	18
Table 14: VDD_SB output electrical characteristics	19
Table 15: HS_OUT output electrical characteristics	20
Table 16: Injector driver electrical characteristic	20
Table 17: Relay driver characteristics	22
Table 18: Lamp driver characteristics	22
Table 19: Tachometer driver electrical characteristics	23
Table 20: Stepper motor driver electrical characteristics	23
Table 21: O2 sensor heater driver characteristics	25
Table 22: Variable reluctance sensor interface electrical characteristics	26
Table 23: K-Line interface electrical characteristics	27
Table 24: SPI characteristics and timings	29
Table 25: A outputs working conditions	31
Table 26: Data in (DIN) words content	34
Table 27: Data in command bits structure	34
Table 28: Data in VRS hysteresis	35
Table 29: Data out (DOUT) words content	35
Table 30: Two bits diagnosis (normal drivers)	35
Table 31: Three bits diagnosis (bridge stage)	36
Table 32: Peak voltage detector precision	43
Table 33: Hysteresis threshold precision	43
Table 34: Values for IPx and INx current generators for each low side	47
Table 35: Bill of material	49
Table 36: TQFP64 (10x10x1 mm exp. pad down) package mechanical data	51
Table 37: Document revision history	53

List of figures

Figure 1: Block diagram	7
Figure 2: Pin connection (top view)	8
Figure 3: Input threshold	15
Figure 4: Key block diagram	15
Figure 5: 5 V main regulator block diagram	17
Figure 6: Reset	17
Figure 7: 5 V tracking regulator block diagram	18
Figure 8: 5 V standby regulator block diagram	19
Figure 9: High-side driver block diagram	20
Figure 10: Low-side driver block diagram	21
Figure 11: Low-side timing diagram (injectors, relays, lamp, tach, O2H)	21
Figure 12: Stepper motor driver block diagram	24
Figure 13: Stepper motor operations	25
Figure 14: VRS block diagram	27
Figure 15: K-line block diagram	28
Figure 16: SO loading for disable time measurement	29
Figure 17: SPI timing diagram	30
Figure 18: Current generator block diagram	32
Figure 19: Power-up sequence	33
Figure 20: Power-down sequence	33
Figure 21: A under and over voltage time diagram	36
Figure 22: Low side driver diagnosis time diagram	37
Figure 23: Low side driver diagnosis I-V relationship	38
Figure 24: Lamp driver diagnosis time diagram	39
Figure 25: Stepper motor driver diagnosis time diagram	40
Figure 26: Stepper motor driver diagnosis I-V relationship	40
Figure 27: VRS diagnosis I-V relationship	41
Figure 28: VRS typical characteristics	41
Figure 29: VRS interface structure	41
Figure 30: Auto-adaptive hysteresis block diagram	42
Figure 31: Hysteresis output voltage level	42
Figure 32: Input-output behaviour of VRS interface	43
Figure 33: Auto-adaptative time filter behaviour 1	44
Figure 34: Auto-adaptative time filter behaviour 2	45
Figure 35: Low side drivers slew rate implementation	46
Figure 36: Low side drivers slew rate	46
Figure 37: O2H low side driver slew rate	47
Figure 38: Application circuit	48
Figure 39: TQFP64 (10x10x1 mm exp. pad down) package outline	50

1 Description

L9177A is a device realized in ST BCD proprietary technology, able to provide the full set of power supplies and signal preprocessing peripherals needed to control a 2 Cylinder internal combustion Engine for Low End Application (e.g. small motorcycle, K-car, nautical engines, etc.).

L9177A integrates a 5 V main voltage regulator, a 5 V 40 mA tracking regulator for sensor supply and a 2.5 mA 5 V standby regulator.

The two channels injector drivers, the O2 sensor heater and two relay drivers can be controlled both with parallel input and with SPI interface. One additional relay driver and the lamp driver are controlled by SPI. The stepper motor driver is designed for a double winding coil motor, used for engine idle speed control.

Low side drivers implement SR control to minimize emission.

A protected 50 mA high side driver is provided.

A Variable Reluctance Sensor interface allows the connection to a commercial magnetic pick-up, allowing the indirect measurement of internal combustion engine crank angle. A K-line (standard ISO-9141 compatible) is provided as data communication interface.

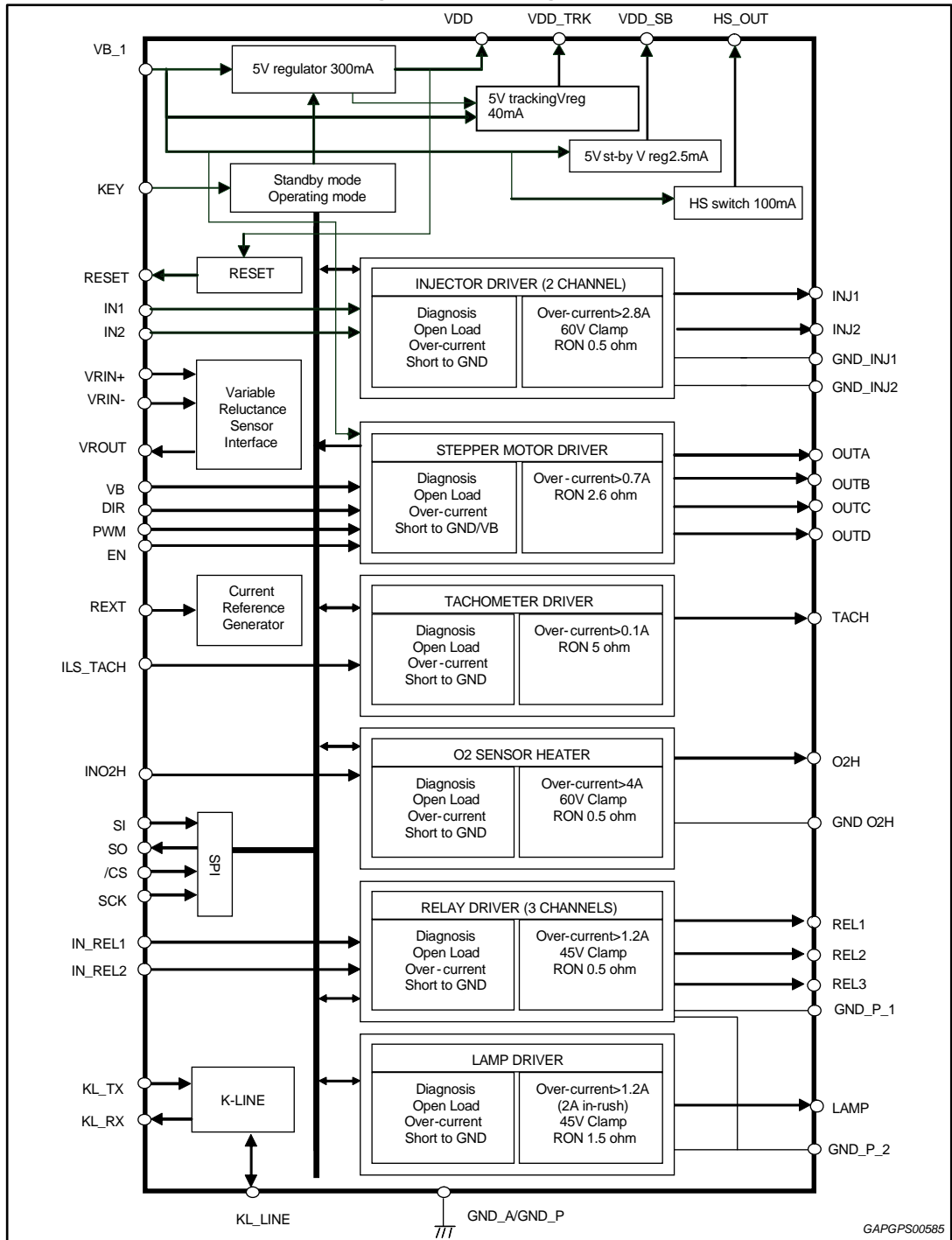
All functionalities are fully protected and provide complete diagnostics via a 24bit SPI interface. An overall protection against over temperature is provided as well.

The device is available in TQFP64 10x10mm package with exposed pad for power dissipation optimization.

2 Block diagram and pin description

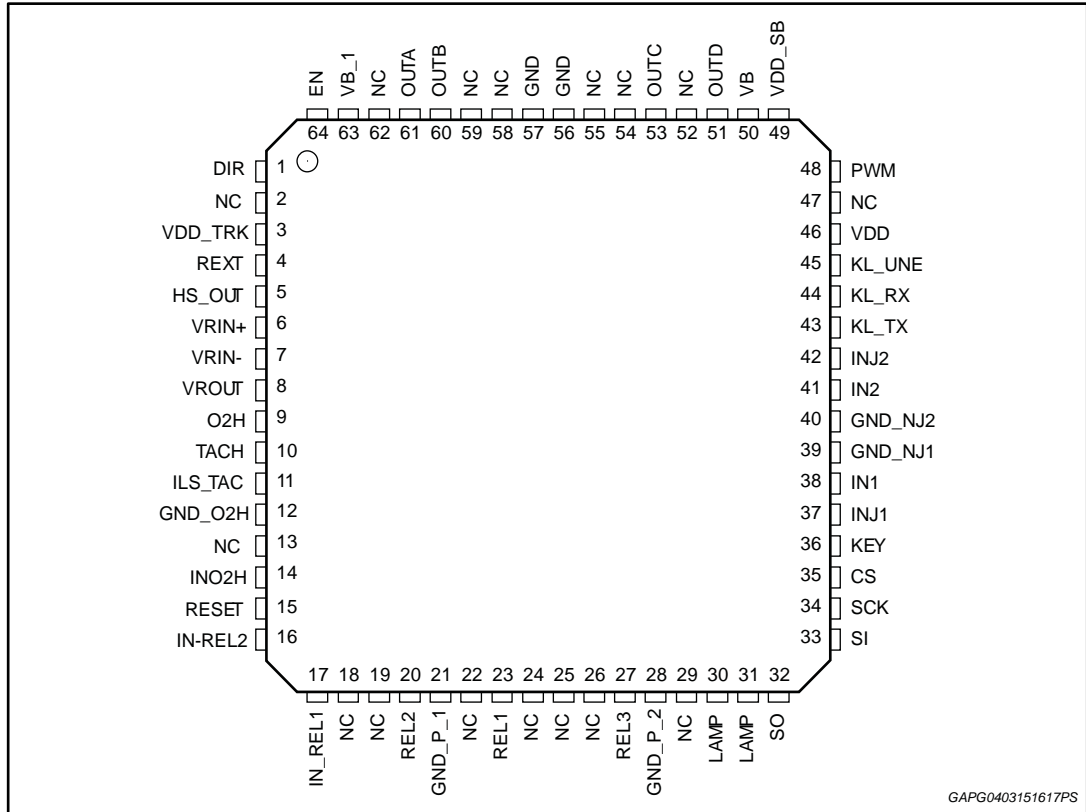
2.1 Block diagram

Figure 1: Block diagram



2.2 Pin description

Figure 2: Pin connection (top view)



GAPG0403151617PS

Table 2: Pin function

Pin #	Pin name	Description	I/O type	Class
1	DIR	Logic input to set stepper motor direction	I	SIGNAL
2	NC	Not connected	-	-
3	VDD_TRK	Tracking voltage regulator output	O	PWR
4	REXT	External resistor for precision current reference	I	SIGNAL
5	HS_OUT	High side switch output	O	PWR
6	VRIN+	VRS positive differential input	I	SIGNAL
7	VRIN-	VRS negative differential input	I	SIGNAL
8	VROUT	VRS output	O	SIGNAL
9	O2H	O2 sensor heater output	O	PWR
10	TACH	Tachometer driver output	O	PWR
11	ILS_TACH	Tachometer driver input	I	SIGNAL
12	GND_O2H	O2 sensor heater ground	GND	PWR
13	NC	Not connected	-	-
14	INO2H	O2 sensor heater input	I	SIGNAL
15	RESET	Reset signal to the micro	O	SIGNAL
16	IN_REL2	Relay 2 parallel control input	I	SIGNAL

Pin #	Pin name	Description	I/O type	Class
17	IN_REL1	Relay 1 parallel control input	I	SIGNAL
18	NC	Not connected	-	-
19	NC	Not connected	-	-
20	REL2	Relay 2 driver output	O	PWR
21	GND_P_1	Power ground relay 1-2	O	PWR
22	NC	Not connected	-	-
23	REL1	Relay 1 driver output	O	PWR
24	NC	Not connected	-	-
25	NC	Not connected	-	-
26	NC	Not connected	-	-
27	REL3	Relay 3 driver output	O	PWR
28	GND_P_2	Power ground for lamp	GND	PWR
29	NC	Not connected	-	-
30	LAMP	Lamp driver output	O	PWR
31	LAMP	Lamp driver output	O	PWR
32	SO	SPI data out	O	SIGNAL
33	SI	SPI data in	I	SIGNAL
34	SCK	SPI serial clock	I	SIGNAL
35	CS	SPI chip select	I	SIGNAL
36	KEY	Key signal	I	SIGNAL
37	INJ1	Injector 1 driver power output	O	PWR
38	IN1	Injector 1 driver input command	I	SIGNAL
39	GND_INJ1	Injector 1 ground	GND	PWR
40	GND_INJ2	Injector 2 ground	GND	PWR
41	IN2	Injector 2 driver input command	I	SIGNAL
42	INJ2	Injector 2 driver power output	O	PWR
43	KL_TX	K-Line TX digital IN	I	SIGNAL
44	KL_RX	K-Line RX digital OUT	O	SIGNAL
45	KL_LINE	K-Line	I/O	PWR
46	VDD	5 V voltage regulator output	O	PWR
47	NC	Not connected	-	-
48	PWM	Logic Input to set Stepper Motor Speed	I	SIGNAL
49	VDD_SB	5 V standby voltage regulator output	O	PWR
50	VB	Battery line to bridge 2	I	PWR
51	OUTD	Output bridge 2	O	PWR
52	NC	Not connected	-	-
53	OUTC	Output bridge 2	O	PWR
54	NC	Not connected	-	-
55	NC	Not connected	-	-

Pin #	Pin name	Description	I/O type	Class
56	GND	Analog and power ground	GND	PWR
57	GND	Analog and power ground	GND	PWR
58	NC	Not connected	-	-
59	NC	Not connected	-	-
60	OUTB	Output bridge 1	O	PWR
61	OUTA	Output bridge 1	O	PWR
62	NC	Not connected	-	-
63	VB_1	Battery line to bridge1	I	PWR
64	EN	Logic input to enable stepper motor	I	SIGNAL
-	Pad	Exposed pad	GND	PWR

3 Electrical specifications

3.1 Operating range

The device may not operate properly if maximum operating conditions are exceeded.

Table 3: Operating conditions

Parameter	Value	Unit
VB, VB_1 supply voltage	6 to 18 ⁽¹⁾	V
I/O logic	0 to VDD	V
Stepper motor outputs	-0.3 to VB, VB_1, Vb+	V
Low side outputs	-0.3 to clamp voltage	V

Notes:

⁽¹⁾See [Section 3.1.1: "Supply voltage"](#).

3.1.1 Supply voltage

- Below 3.9 V the device is in a safety state (internal circuitries are on but all the outputs are off).
- From 3.9 V to 5.5 V (crank functionality):
 - Reset function; $V_{DD} > 3.3\text{ V}$ (rds-on state) $I_{VDD} = 100\text{ mA}$; $3.3\text{ V} < V_{DD_TRK} < V_{DD}$ (rds-on state);
 - Low-sides, K-Line, H-Bridge OFF if Reset = 0; SPI not available, internal registers resetted if Reset = 0;
 - All Diagnosis disabled if Reset = 0; VRS function limited ($V_{diff\ max} = 1000\text{ mV}$)
- From 5.5 V to 6 V (low battery):
 - All the functions are granted with the following degraded parameters; $V_{DD} > 4.510\text{ V}$; VDD Reset function guaranteed, but no Reset asserted; Tracking error $< 100\text{ mV}$ ($I_{load} = 40\text{ mA}$, rds-on state).
- From 6 V to 18 V: normal operating range
- From 18 V to V_{B_off} :
 - All the functions are granted with increased power dissipation and no reset is asserted during transient.
- From V_{B_off} to 40 V (internal circuitries are on but all the outputs are off):
 - The device is on and in a safety state.

3.2 Absolute maximum ratings

Maximum ratings are absolute ratings; exceeding any one of these values may cause permanent damage to the integrated circuit.

Table 4: Absolute maximum ratings

Parameter	Condition	Min	Max	Unit
DC supply voltage	pin VB/VB_1	-0.3	40	V
I/O low voltage pins ⁽¹⁾	-	-0.3	7	V
I/O low voltage digital pins ⁽²⁾	-	-0.3	VDD+0.3	V
I/O power pins voltage range ⁽³⁾	-	-0.3	Clamp voltage	V
TACH pin	-	-0.3	40	V
OUTA-D	-	-0.3	VB +0.3	V
KEY pin	To be protected with Rkey_ext to limit sourced/sinked current to ± 5 mA in dc conditions and ± 20 mA during transients (ISO-pulses on battery line)	-0.3	10	V
VRIN- / VRIN+	Max current 20 mA to be limited with external resistors	-0.3	VDD + 0.3	V
VDD_TRK pin	-	-2	40	V
KL_LINE pin	-	-16	40	V
Maximum voltage shift between GND pins	PIN GND, GND_O2H, GND_P_1,2, GND_INJ1,2, GNDA, GNDA	-0.3	0.3	V
I/O power pins ⁽³⁾ maximum energy (single pulse, max. current)	Injector drivers	-	50	mJ
	O2 sensor heater	-	60	mJ
	Relay/lamp drivers	-	25	mJ
I/O power pins ⁽³⁾ maximum energy (continuous pulse, max. current, 36 million pulses with T = 100 ms)	Injector drivers	-	18	mJ
	O2 sensor heater	-	22	mJ
	Relay/lamp drivers	-	8	mJ
Reverse current through O2H output without supply voltage ⁽⁴⁾	Static (room temperature, max reverse diode voltage 1.5 V)	-	2.5	A
	Dynamic (guarantee by iso-pulse test immunity on application board)	-	-	
Reverse current through INJx outputs without supply voltage ⁽⁴⁾	Static (room temperature, max reverse diode voltage 1.5 V)	-	2.2	A
	Dynamic (guarantee by iso-pulse test immunity on application board)	-	-	
Reverse current through LAMP output without	Static (room temperature, max reverse diode voltage 1.5v)	-	1.2	A

Parameter	Condition	Min	Max	Unit
supply voltage ⁽⁴⁾	Dynamic (guarantee by iso-pulse test immunity on application board)	-	-	
Reverse current through RLYx outputs without supply voltage ⁽⁴⁾	Static (room temperature, max reverse diode voltage 1.5 V)	-	1.5	A
	Dynamic (guarantee by iso-pulse test immunity on application board)	-	-	
Reverse current through TACH output without supply voltage ⁽⁴⁾	Static (room temperature, max reverse diode voltage 1.5 V)	-	0.5	A
	Dynamic (guarantee by iso-pulse test immunity on application board)	-	-	

Notes:

⁽¹⁾Pins are VDD, VDD_SB, REXT, DIR

⁽²⁾Pins are CS, SCK, SI, SO, VROUT, RESET, PWM, EN, INO2H, ILS_TACH, IN, KL_TX, KL_RX

⁽³⁾Pins are O2H, LAMP, INJ1-2, REL1-2-3

⁽⁴⁾Reverse battery connection, parameter not tested for info only

Table 5: ESD protection

Item	Condition	Min	Max	Unit
All pins ⁽¹⁾⁽²⁾	HBM	-2	2	kV
All pins	MM	-200	200	V
All pins	CDM (values for corner pins in brackets)	-500 / (-750)	500 / (750)	V
Pins to connector ⁽³⁾	HBM	-4	4	kV

Notes:

⁽¹⁾OUTA-D, TACH, O2H, LAMP, INJ1-2, REL1-2-3 vs. GNDP2, GNDO2: -1.5 / 1.5 kV

⁽²⁾OUTA-D, TACH, O2H, LAMP, INJ1-2, REL1-2-3 vs. GNDP1: -1 / 1 kV

⁽³⁾Pins are OUTA-D, TACH, O2H, LAMP, INJ1-2, KEY, REL1-2-3, VB, KL_LINE, VDD_TRK all GND connected together. The device is AEC-Q100 compliant.

3.3 Latch-up test

According to JEDEC 78 class 2 level A.

3.4 Temperature ranges and thermal data

Table 6: Temperature ranges and thermal data

Symbol	Parameter	Min	Max	Unit
T _{amb}	Operating temperature (ECU environment)	-40	125	°C
T _j	Operating junction temperature	-40	150	°C
T _{stg}	Storage temperature	-40	150	°C
T _{ot}	Thermal shut-down temperature	155	200	°C
O _{Thys}	Thermal shut-down temperature hysteresis	10		°C
R _{Th j-amb}	Thermal resistance junction-to-ambient ⁽¹⁾		20	°C/W
R _{Th j-case}	Thermal resistance junction-to-case		2	°C/W

Notes:

⁽¹⁾with 2s2p PCB thermally enhanced.

3.5 Electrical characteristics

V_B = 6 V to 18 V, T_{amb} = -40 °C to 125 °C.

3.5.1 Supply

Table 7: Supply electrical characteristics

Symbol	Parameter	Condition	Min	Typ	Max	Unit
V _B	Operating supply voltage range	-	6	-	18	V
V _{B_off}	Vbat switch off threshold voltage	-	30	32	34	V
V _{B_ovh}	Overvoltage threshold hysteresis	-	0.5	-	-	V
V _{B_uvL}	Undervoltage disable LOW threshold	-	3.5	3.7	3.9	V
V _{B_uvh}	Undervoltage threshold hysteresis	-	0.3	-	1	V
I _{VB(dis)}	Standby current from VB, VB_1	VB = VB_1 = 13 V, device disabled, KEY < 0.7 V	-	-	120	μA
I _{VB}	Quiescent current	VB = VB_1 = 13 V, outputs floating	-	-	20	mA
V _{rext}	ASIC Bias reference	Application note	-	1.22	-	V
fint_clk	Internal clock reference	Application note	-	5.6	-	MHz

3.5.2 Key

Table 8: Key electrical characteristics

Symbol	Parameter	Condition	Min	Typ	Max	Unit
V_Key_L	Input low threshold	-	1.5	-	-	V
V_Key_H	Input high threshold	-	-	-	3.3	V
V_Key_Hyst	Input voltage hysteresis	-	0.5	-	1.8	V
R_Key	Internal pull down	-	50	150	300	kΩ
T_key_deglitch	Key input filter time	Guaranteed by scan	26	-	40	μs
T_key_delay	Maximum delay time from Key to regulator enable	Time from key rising edge to 20% VDD rising edge	-	-	200	μs

Figure 3: Input threshold

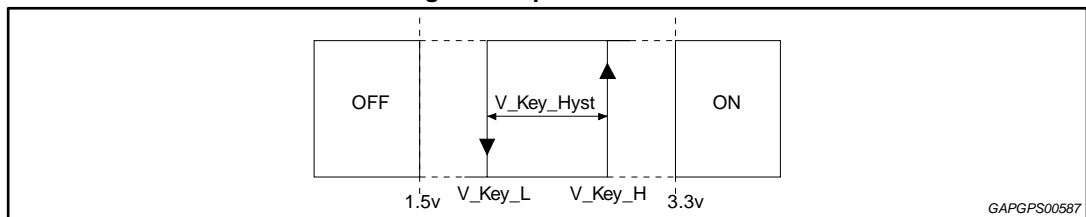
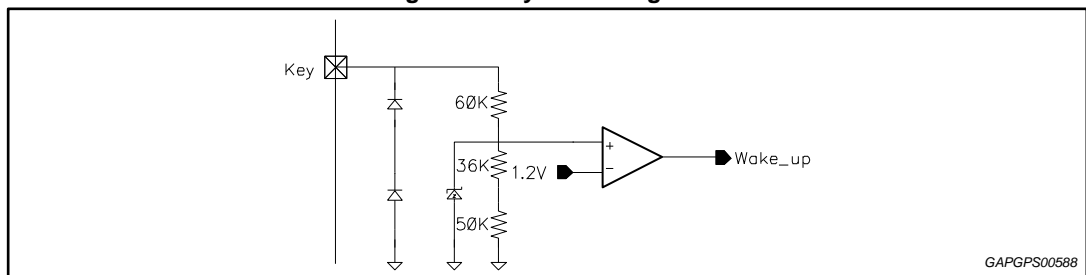


Figure 4: Key block diagram



3.5.3 Digital pins

Table 9: Digital pins characteristics

Symbol	Parameter	Condition	Min	Typ	Max	Unit
V _{in_L}	Input level threshold low	-	0.3*VDD	-	-	V
V _{in_H}	Input level threshold high	-	-	-	0.7*VDD	V
V _{hin}	Input voltage hysteresis	-	0.1	-	-	V
R _{pull}	Internal pull-down/pull-up ⁽¹⁾⁽²⁾⁽³⁾	-	50	150	250	kΩ
I _{pull_down}	Active pull-down	-	10	-	100	μA

Notes:

⁽¹⁾Pins with active pull-down: DIR.

⁽²⁾Pins with pull-down: EN, PWM, ISL-TACH, INO2H, IN_REL1-2, IN1-2;

⁽³⁾Pins with pull-up: SI, SCK, CS, KL-TX;

3.5.4 Digital output pins

Table 10: Digital output pins characteristics

Symbol	Parameter	Condition	Min	Typ	Max	Unit
	Output level low	$I_{\text{sink}} = 2\text{mA}$	-	-	0.4	V
	Output level high	$I_{\text{source}} = 2\text{mA}$ ⁽¹⁾⁽²⁾	VDD-0.5	-	-	V

Notes:

(1) Pins with push-pull stage and tri-state condition: SDO

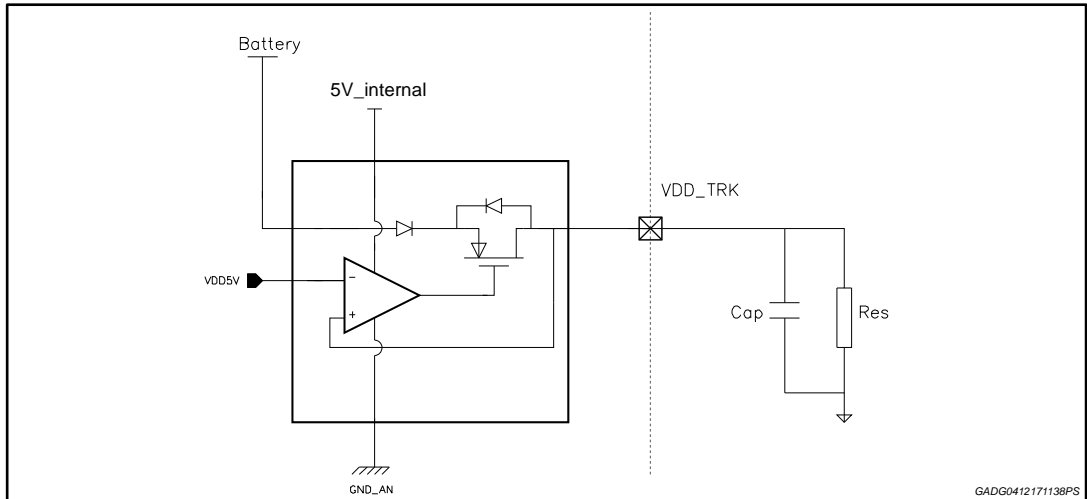
(2) Pins with open drain output: RESET, VROUT;

3.5.5 5 V voltage regulator

Table 11: VDD output electrical characteristics

Symbol	Parameter	Condition	Min	Typ	Max	Unit
VDD	Output voltage	-	4.9	5	5.1	V
Ln_vdd	Line regulation	$V_B = 6\text{ V to }18\text{ V}$ $I_{\text{load}} = 150\text{ mA}$	-25	-	25	mV
Ld_vdd	Load regulation	$V_B = 13\text{ V}$ $I_{\text{load}} = 5\text{ mA to }300\text{ mA}$	-25	-	25	mV
V _{dd_OS}	Max overshoot	Recovery from ISO pulse stimuli on battery line (guaranteed by design)	-	-	5.5	V
V _{dd_SR}	Voltage slew-rate at power-on	$C_{\text{load}} = 4.7\text{ }\mu\text{F}$	2	-	25	V/ms
I _{dd}	Load current	-	5	-	300	mA
I _{dd_max}	Current limitation	Output short to 4 V	350	-	600	mA
I _{dd_STG}	Short to ground current limitation	Output shorted to GND	350	-	700	mA
PSRR	Power supply rejection ratio	Sin wave @ 1 kHz 1 V _{pp} ; $V_B = 13\text{ V}; I_{\text{load}} = 5\text{ mA to }300\text{ mA}$	40	-	-	dB
V _{dr5}	$V_B - V_{\text{dd}} - V_{\text{dd dropout}}$ voltage	$V_B = 5\text{ V}; I_{\text{load}} = 300\text{ mA}$	0.30	-	0.75	V

Figure 5: 5 V main regulator block diagram

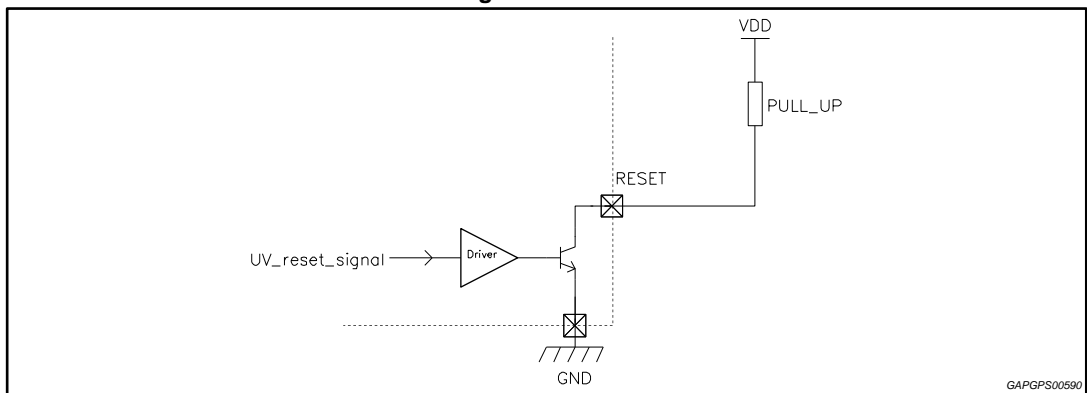


3.5.6 Reset

Table 12: Reset function electrical characteristics

Symbol	Parameter	Condition	Min	Typ	Max	Unit
VUV_LO	Output low voltage	$1 < VDD < V_{th_UV}$, $I_{reset} = 2 \text{ mA}$	-	-	0.6	V
IUV_LO	Reset current capability	$1 < VDD < V_{th_UV}$, $V_{reset} = 0.6 \text{ V}$	2	-	-	mA
I_{lk}	Leakage current	$VUV_reset = 4.5 \text{ V}$	-	-	1	μA
V_{th_UV}	VDD under voltage low threshold	$V_B = 13.5 \text{ V}$	4.5	-	$VDD - 150 \text{ mV}$	V
$V_{th_UV} \text{ Tht}$	VDD under voltage high threshold	-	4.5	-	$VDD - 50 \text{ mV}$	V
$V_{th_UV} \text{ HYS}$	VDD under voltage hysteresis	-	50	-	-	mV
Td_UV_rst	Power on UV reset delay	-	17	22	30	ms
T_{fUV_reset}	UV reset filter	$VDD < V_{th_UV}$	25	50	75	μs

Figure 6: Reset

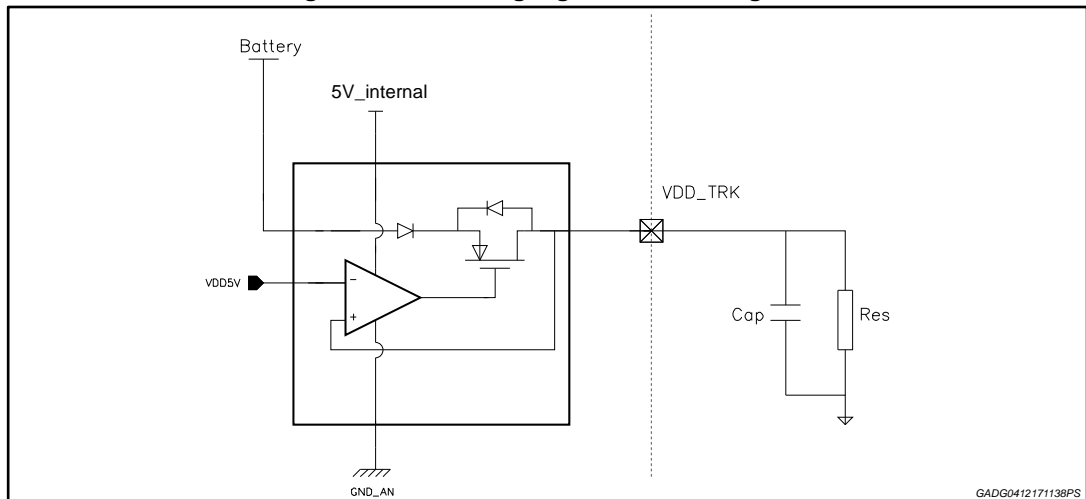


3.5.7 5 V tracking voltage regulator

Table 13: VDD_TRK output electrical characteristics

Symbol	Parameter	Condition	Min	Typ	Max	Unit
DV _{ddtrk}	Output voltage tracking error	V _B = 6 V, I _{trk} = 1 to 40 mA	-15	-	15	mV
V _{short}	Tracking output short circuit voltage range	-	-2	-	V _B	V
I _{trk_max}	Output current limitation	Output short to 4 V	50	-	100	mA
I _{trk_sb}	Tracking output reverse current (limited by the regulator)	Output shorted to V _B = 16 V	-	-	10	mA
I _{dd}	Load current	-	1	-	40	mA
Ln _{vdd_trk}	Line regulation	V _B = 6 V to 18 V - I _{load} = 40 mA	-15	-	15	mV
Ld _{vdd_trk}	Load regulation	V _B = 13 V I _{load} = 1 to 40 mA	-15	-	15	mV
PSRR	Power supply rejection ratio	Sin wave @ 1 kHz 1 V _{pp} V _B = 13 V, I _{load} = 1 to 40 mA	40	-	-	dB

Figure 7: 5 V tracking regulator block diagram

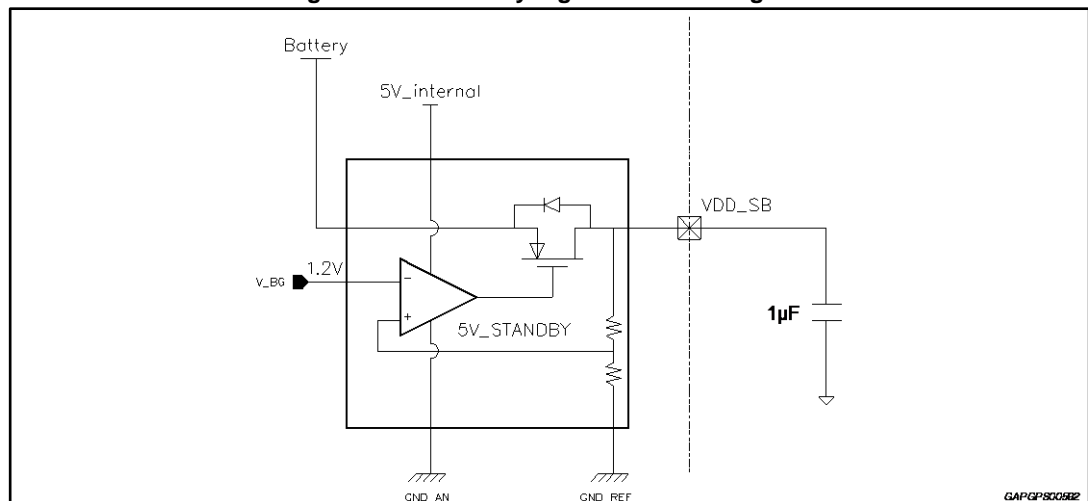


3.5.8 Standby regulator

Table 14: VDD_SB output electrical characteristics

Symbol	Parameter	Condition	Min	Typ	Max	Unit
V_{ddsb}	Output voltage	-	4.75	5	5.25	V
Ln_vsb	Line regulation	$V_B = 6\text{ V to }18\text{ V}$ $I_{load} = 1\text{ mA}$	-25	-	25	mV
Ld_vsb	Load regulation	$V_B = 13\text{ V}$ $I_{load} = 0.1\text{ mA to }2.5\text{ mA}$	-25	-	25	mV
V_{dd_OS}	Max overshoot	-	-	-	5.5	V
I_{dd}	Load current	-	0.1	-	2.5	mA
I_{sb_max}	Current limitation	Output short to 4 V	5	-	50	mA
V_{sb_SR}	Voltage slew-rate at power on	$C_{load} = 1\text{ }\mu\text{F}$	2	-	30	V/ms
PSRR	Power supply rejection ratio	Sin wave @ 1 kHz 1 Vpp $V_B = 13\text{ V}$ $I_{load} = 0.1\text{ to }1\text{ mA}$	40	-	-	dB

Figure 8: 5 V standby regulator block diagram

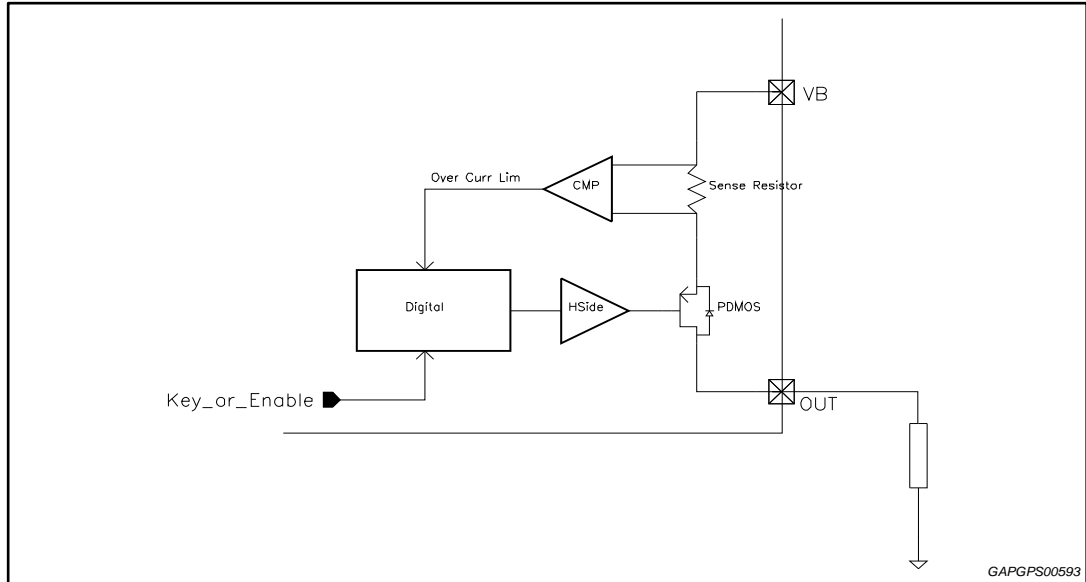


3.5.9 High side switch

Table 15: HS_OUT output electrical characteristics

Symbol	Parameter	Condition	Min	Typ	Max	Unit
R _{on_hs}	R _{on}	I _{hs} = 50 mA	-	-	14	Ω
I _{hs_max}	Current limitation	V _B = 13.5 V	100	-	400	mA

Figure 9: High-side driver block diagram



The High side switch is intended as a protected battery and is directly controlled by key input (see [Figure 21: "A under and over voltage time diagram"](#)).

3.5.10 Injector driver

Table 16: Injector driver electrical characteristic

Symbol	Parameter	Condition	Min	Typ	Max	Unit
I _{max}	Output current	-	-	-	2.2	A
I _{oc}	Overcurrent threshold	-	2.8	-	5	A
V _{ds}	Output clamping voltage	I = 2.2 A	55	-	65	V
R _{on}	On resistance	I = 2.2 A	-	-	0.6	Ω
I _{lk_off}	Leakage current	V _{out} = 18 V, diagnosis OFF	-	-	10	μA
I _{lk_on}	Leakage current	V _{out} = 18 V, diagnosis ON	-	-	100	μA
t _{on-off}	Turn on-off delay	from CMD edge to 50% output variation	-	-	6	μs
V _{OL}	Open load output voltage	Driver in OFF condition	0.46*VDD	0.5*VDD	0.54*VDD	V
V _{diagH⁽¹⁾}	Diagnostic high threshold	Driver in OFF condition	0.54*VDD	0.6*VDD	0.66*VDD	V
V _{diagL⁽¹⁾}	Diagnostic low threshold	Driver in OFF condition	0.36*VDD	0.4*VDD	0.44*VDD	V

Notes:

⁽¹⁾V_{diagH} < V_{out} < V_{diagL} → Open Load; V_{out} < V_{diagL} → Short to GND

Figure 10: Low-side driver block diagram

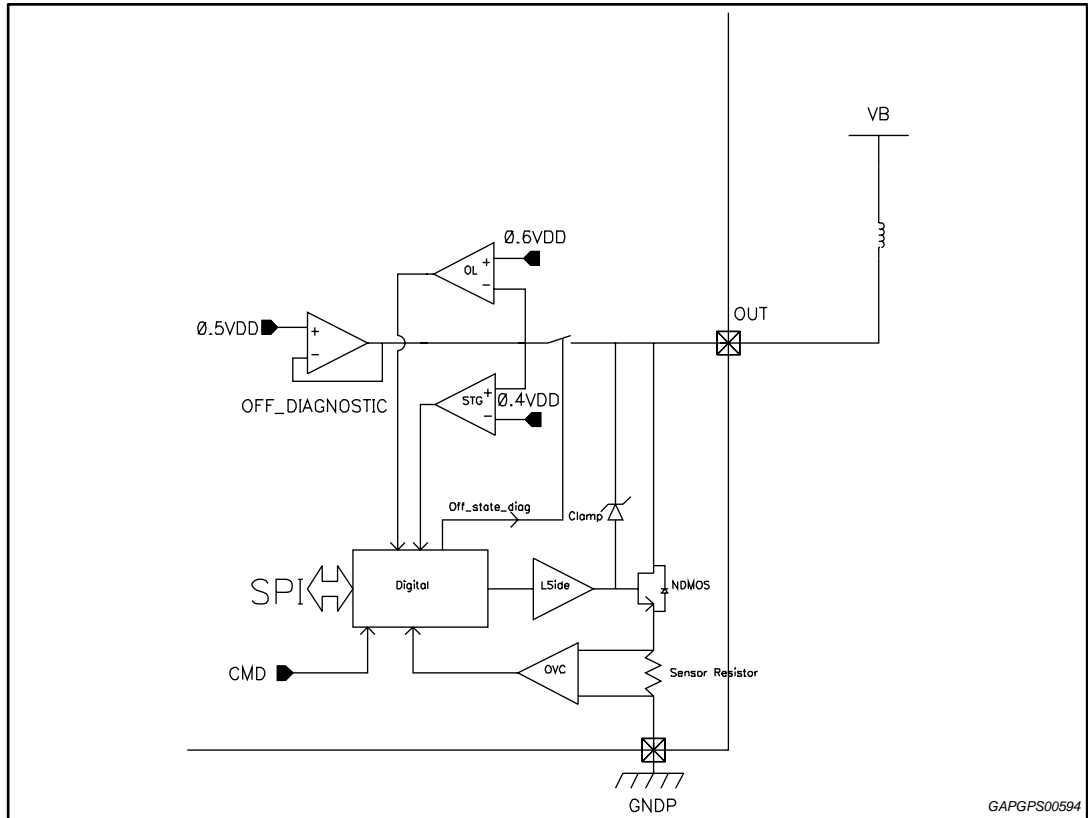
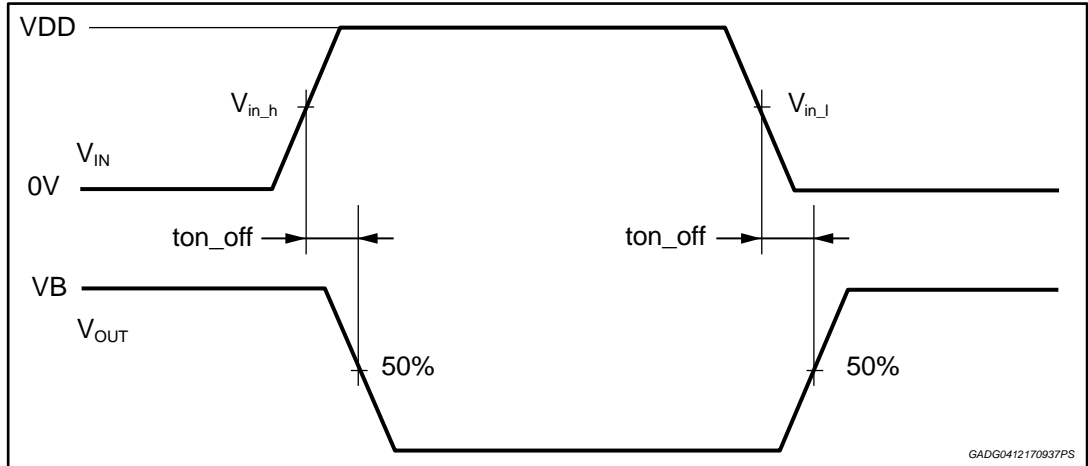


Figure 11: Low-side timing diagram (injectors, relays, lamp, tach, O2H)



3.5.11 Relay drivers

Table 17: Relay driver characteristics

Symbol	Parameter	Condition	Min	Typ	Max	Unit
I_{max}	Output current	-	-	-	1	A
I_{oc}	Overcurrent threshold	-	1.2	-	2.5	A
V_{DS}	Output clamping voltage	$I = 1\text{ A}$	40	-	50	V
R_{on}	On resistance	$I = 1\text{ A}$	-	-	1.5	Ω
I_{lk_off}	Leakage current	$V_{out} = 18\text{ V}$, diagnosis OFF	-	-	10	μA
I_{lk_on}	Leakage current	$V_{out} = 18\text{ V}$, diagnosis ON	-	-	100	μA
t_{on_off}	Turn on-off delay	From CMD (serial or parallel) rising edge	-	-	6	μs
V_{OL}	Open load output voltage	Driver in OFF condition	$0.46 \cdot V_{DD}$	$0.5 \cdot V_{DD}$	$0.54 \cdot V_{DD}$	V
$V_{diag_H}^{(1)}$	Diagnostic high threshold	Driver in OFF condition	$0.54 \cdot V_{DD}$	$0.6 \cdot V_{DD}$	$0.66 \cdot V_{DD}$	V
$V_{diag_L}^{(1)}$	Diagnostic low threshold	Driver in OFF condition	$0.36 \cdot V_{DD}$	$0.4 \cdot V_{DD}$	$0.44 \cdot V_{DD}$	V

Notes:

⁽¹⁾ $V_{diag_L} < V_{out} < V_{diag_H} \rightarrow$ Open Load; $V_{out} < V_{diag_L} \rightarrow$ Short to GND

3.5.12 Lamp driver

Table 18: Lamp driver characteristics

Symbol	Parameter	Condition	Min	Typ	Max	unit
I_{LI}	Linear current limitation	-	2	-	4	A
I_{oc}	Overcurrent threshold	Masked for lamp driver during in-rush	1.2	-	2.4	A
t_{dgmsk}	Diagnosis masking time	Guaranteed by scan	2	-	5	ms
V_{DS}	Output clamping voltage	$I = 200\text{ mA}$	40	-	50	V
R_{on}	On resistance	$I = 200\text{ mA}$	-	-	1.5	Ω
I_{lk_off}	Leakage current	$V_{out} = 18\text{ V}$, diagnosis OFF	-	-	10	μA
I_{lk_on}	Leakage current	$V_{out} = 18\text{ V}$, diagnosis ON	-	-	100	μA
t_{on_off}	Turn on-off delay	From SPI CS rising edge	-	-	6	μs
V_{OL}	Open load output voltage	Driver in OFF condition	$0.46 \cdot V_{DD}$	$0.5 \cdot V_{DD}$	$0.54 \cdot V_{DD}$	V
$V_{diag_H}^{(1)}$	Diagnostic high threshold	Driver in OFF condition	$0.54 \cdot V_{DD}$	$0.6 \cdot V_{DD}$	$0.66 \cdot V_{DD}$	V
$V_{diag_L}^{(1)}$	Diagnostic low threshold	Driver in OFF condition	$0.36 \cdot V_{DD}$	$0.4 \cdot V_{DD}$	$0.44 \cdot V_{DD}$	V

Notes:

⁽¹⁾ $V_{diag_L} < V_{out} < V_{diag_H} \rightarrow$ Open Load; $V_{out} < V_{diag_L} \rightarrow$ Short to GND

3.5.13 Tachometer driver

Table 19: Tachometer driver electrical characteristics

Symbol	Parameter	Condition	Min	Typ	Max	Unit
I _{oc}	Overcurrent threshold	-	100	-	500	mA
R _{on}	On resistance	I = 25 mA	-	-	5	Ω
I _{lk_off}	Leakage current	V _{out} = 18 V, diagnosis OFF	-	-	10	μA
I _{lk_on}	Leakage current	V _{out} = 18 V, diagnosis ON	-	-	100	μA
t _{on_off}	Turn on-off delay	From CMD (serial or parallel) rising edge	-	-	6	μs
V _{OL}	Open load output voltage	driver in OFF condition	0.46*VDD	0.5*VDD	0.54*VDD	V
V _{diagth_H} ⁽¹⁾	Diagnostic high threshold	Driver in OFF condition	0.54*VDD	0.6*VDD	0.66*VDD	V
V _{diagth_L} ⁽¹⁾	Diagnostic low threshold	Driver in OFF condition	0.36*VDD	0.4*VDD	0.44*VDD	V

Notes:

⁽¹⁾V_{diagth_L} < V_{out} < V_{diagth_H} → Open Load; V_{out} < V_{diagth_L} → Short to GND

3.5.14 Stepper motor driver

Table 20: Stepper motor driver electrical characteristics

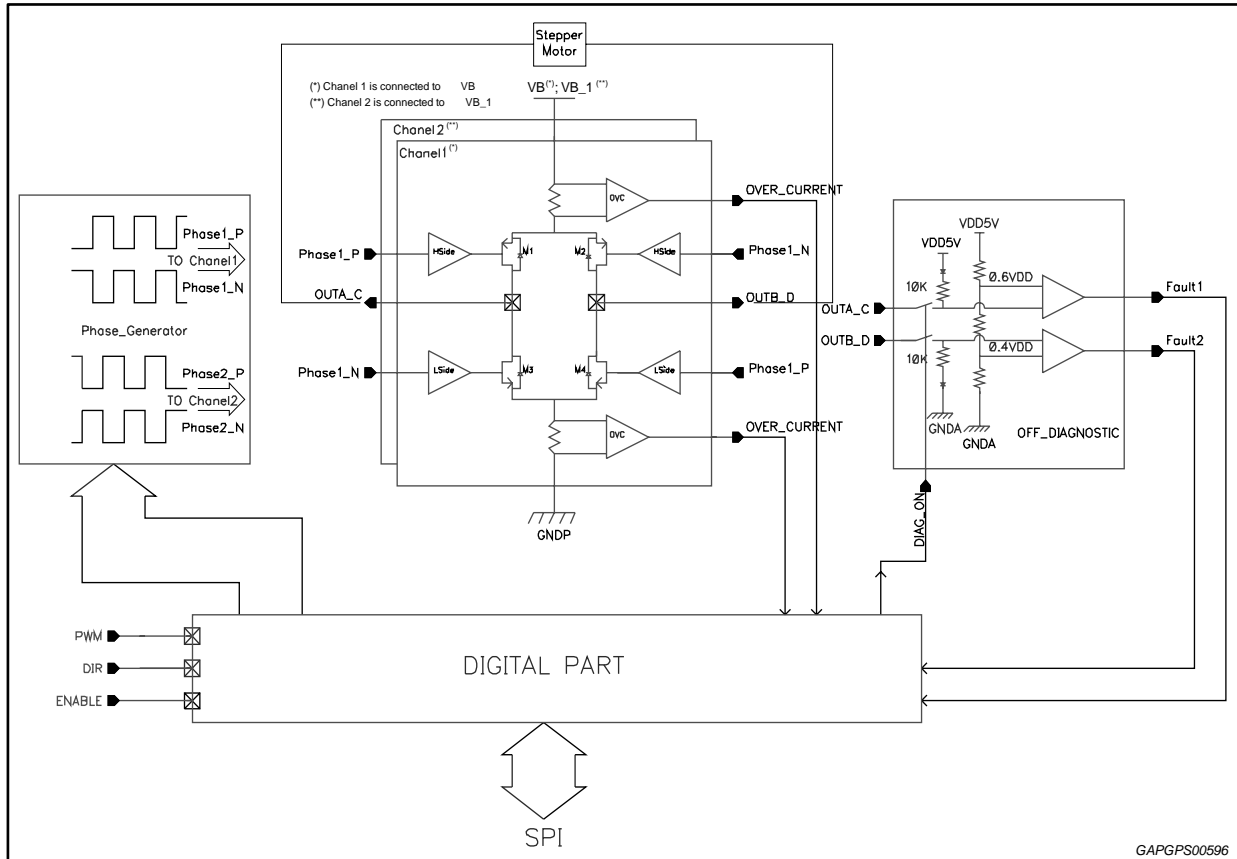
Symbol	Parameter	Condition	Min	Typ	Max	Unit
I _{oc}	Overcurrent threshold	ON condition	0.85	-	2	A
R _{dsON}	On resistance HS+LS	I _{out} = 0.5 A, T _j = 150 °C, V _B = 14 V	-	-	2.6	Ω
f _{stepper}	Working frequency	Application note	-	-	20	kHz
V _{out_off} ⁽¹⁾⁽²⁾⁽³⁾	OUTA_B_C_D output voltage	OUTA short to OUTB; OUTC short to OUTD; Stepper driver disable	0.44*V _D	0.5*VDD	0.54*V _D	V
V _{diagth_H}	Diagnostic high threshold	Driver in OFF condition	0.54*V _D	0.6*VDD	0.66*V _D	V
V _{diagth_L}	Diagnostic low threshold	Driver in OFF condition	0.36*V _D	0.4*VDD	0.44*V _D	V
I _{DSS_OUT}	Output leakage current	Driver in OFF condition	-	-	10	μA
t _{scvb}	Over current switch_off time	Guaranteed by scan	-	-	25	μs
t _{rb}	Rise output time	V _B = 12 V, R _I = 39 Ω	-	-	15	μs
t _{fb}	Fall output time	V _B = 12 V, R _I = 39 Ω	-	-	15	μs
t _{rb-a}	Rise output time	T _{amb} = 25 °C,	-	-	10	μs
t _{fb-a}	Fall output time	V _B = 12 V, R _I = 39 Ω	-	-	10	μs
t _{pHLb}	Turn-off in/out delay time	V _B = 12 V, R _I = 39 Ω	-	-	15	μs
t _{pLHb}	Turn-off in/out delay time		-	-	15	μs
V _{reverse_HS}	Reverse HS diode drop	Driver in OFF condition I _{injected} = 0.5 A	-	-	1.5	V

Symbol	Parameter	Condition	Min	Typ	Max	Unit
$V_{reverse_LS}$	Reverse LS diode drop	Driver in OFF condition $I_{Sourced} = 0.5\text{ A}$	-	-	-1.5	V

Notes:

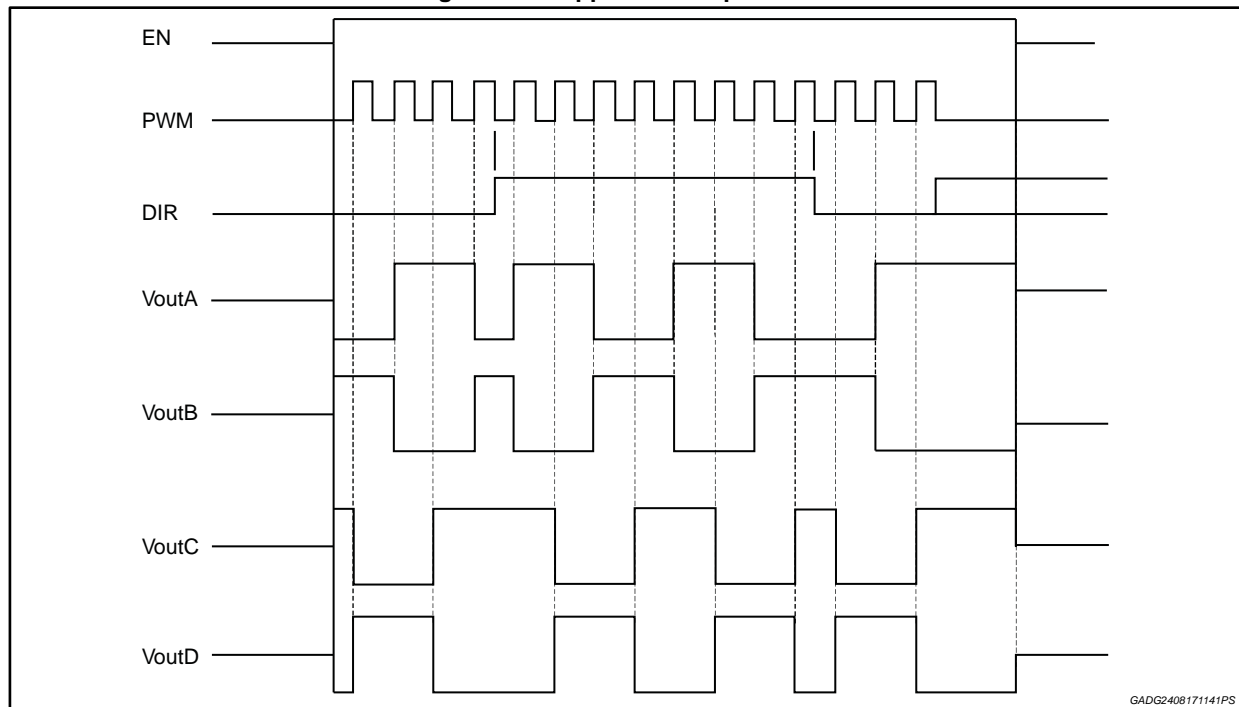
- (1) $V_{outA} < V_{diagH_H}$ and $V_{outB} > V_{diagH_L}$ or $V_{outC} < V_{diagH_H}$ and $V_{outD} > V_{diagH_L} \rightarrow$ No Fault
- (2) $V_{outA_B_C_D} < V_{diagH_L} \rightarrow$ Short to GND
- (3) $V_{outA} > V_{diagH_H}$ and $V_{outB} < V_{diagH_L}$ or $V_{outC} > V_{diagH_H}$ and $V_{outD} < V_{diagH_L} \rightarrow$ Open load $V_{outA_B_C_D} > V_{diagH_H} \rightarrow$ Short to Battery

Figure 12: Stepper motor driver block diagram



GAPGPS00596

Figure 13: Stepper motor operations



3.5.15 O2 sensor heater driver

Table 21: O2 sensor heater driver characteristics

Symbol	Parameter	Condition	Min	Typ	Max	Unit
R_{dsON}	On resistance	$I_{out} = 3\text{ A}$	-	-	0.5	Ω
V_C	Output clamping voltage	$I_{out} = 3\text{ A}$	40	-	50	V
I_{lk_off}	Leakage current	$V_{out} = 18\text{ V}$, diagnosis OFF	-	-	10	μA
I_{lk_on}	Leakage current	$V_{out} = 18\text{ V}$, diagnosis ON	-	-	100	μA
t_{on_off}	Turn on-off delay	From CMD (serial or parallel) rising edge	-	-	6	μs
V_{OL}	Open load output voltage	Driver in OFF condition	$0.46 \cdot V_{DD}$	$0.5 \cdot V_{DD}$	$0.54 \cdot V_{DD}$	V
I_{oc}	Overcurrent threshold		3.8	-	5	A
$V_{diagH_H}^{(1)}$	Diagnostic high threshold	Driver in OFF condition	$0.54 \cdot V_{DD}$	$0.6 \cdot V_{DD}$	$0.66 \cdot V_{DD}$	V
$V_{diagH_L}^{(1)}$	Diagnostic low threshold	Driver in OFF condition	$0.36 \cdot V_{DD}$	$0.4 \cdot V_{DD}$	$0.44 \cdot V_{DD}$	V

Notes:

(1) $V_{diagH_L} < V_{out} < V_{diagH_H}$ → Open Load; $V_{out} < V_{diagH_L}$ → Short to GND

3.5.16 Variable reluctance sensor interface

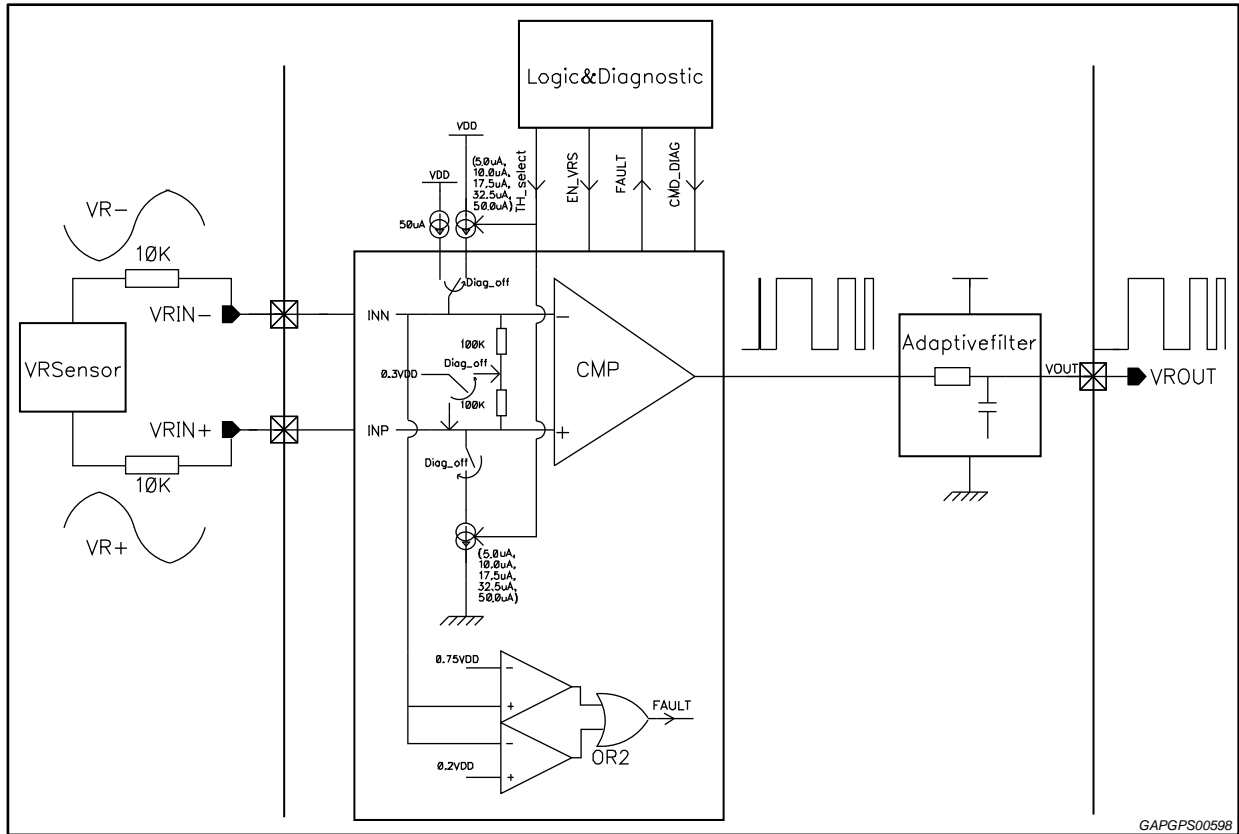
Table 22: Variable reluctance sensor interface electrical characteristics

Symbol	Parameter	Condition	Min	Typ	Max	Unit
V_{HTH}	Input high to low differential threshold voltage at VRIN+ and VRIN- nodes	-	-50	-	50	mV
V_{CM}	Common mode operating range at VRIN+ and VRIN-	-	0	1.5	3	V
$V_{cm_internal}$	Internal common mode voltage	Switch off hysteresis current	$0.27 \cdot V_{DD}$	$0.3 \cdot V_{DD}$	$0.33 \cdot V_{DD}$	V
$V_{diag_H}^{(1)}$	Diagnostic high threshold	Diagnostic voltage referred to VRIN- (see Figure 14: "VRS block diagram")	$0.67 \cdot V_{DD}$	$0.75 \cdot V_{DD}$	$0.82 \cdot V_{DD}$	V
$V_{diag_L}^{(1)}$	Diagnostic low threshold		$0.18 \cdot V_{DD}$	$0.2 \cdot V_{DD}$	$0.22 \cdot V_{DD}$	V
I_{diag}	Diagnostic current	Current from VRIN- when diagnostic on	35	50	65	μA
$R_{internal_common}$	Internal common mode resistor	Switch off hysteresis current	50	200	350	k Ω
I_B	Input bias current	$VRIN+ = VRIN- = 1.5 V$	-	-	2	μA
I_{leak}	Output leakage	$V_{ROUT} = 5 V$	-	-	1	μA
V_{CLPH}	Input high clamping voltage	$VRIN+ = VRIN- = 20 mA$	-	5	-	V
V_{CLPL}	Input low clamping voltage	$VRIN+ = VRIN- = 20 mA $	-1.5	-	-0.3	V
t_{of}	Output fall time	$C_{LOAD} = 20 pF, R_{LOAD} = 5 k\Omega$	-	-	300	ns
t_{of_1nf}	Output fall time	$C_{LOAD} = 1 nF$	-	-	1.5	μs
V_{OUTL}	Output buffer low voltage	$I_{sink} = 2 mA$	-	-	0.6	V
I_{OUTL}	Output current capability	$V_{out} = 0.6 V$	2	-	-	mA
t_{prop}	Propagation delay	VRS INM = 0.5 V, INP applied to 1 V to make VRS OUT commuted	0.1	0.45	0.8	μs

Notes:

⁽¹⁾if $(VRIN- > V_{diag_H})$ or $(VRIN- < V_{diag_L})$ then Fault is detected.

Figure 14: VRS block diagram



GAPGPS00598

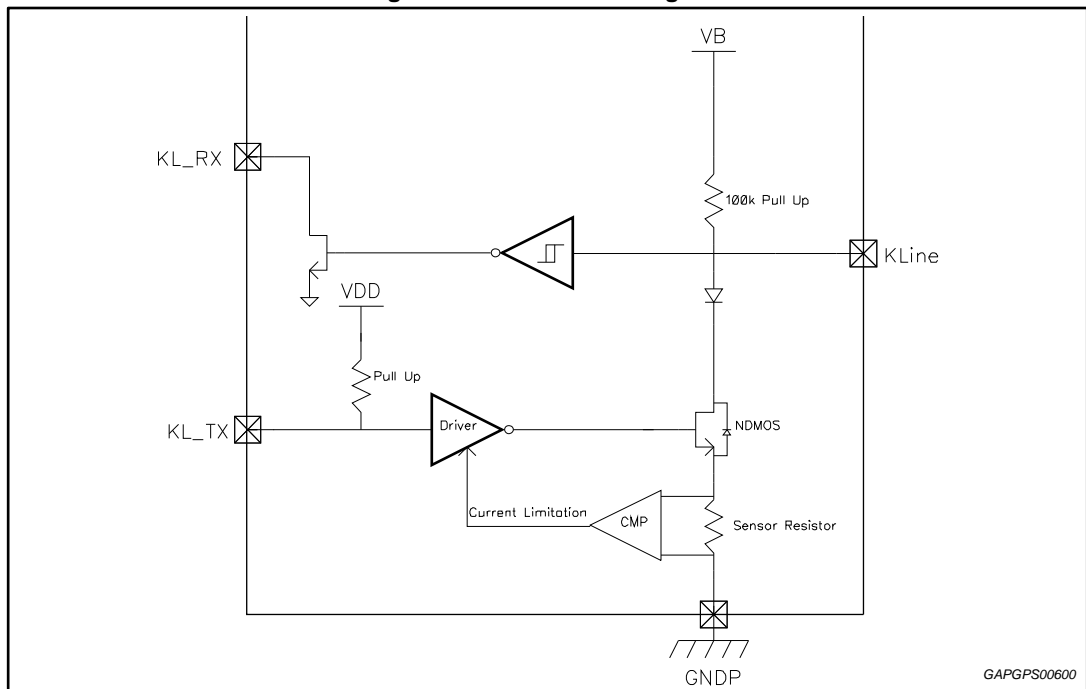
3.5.17 K-line

Table 23: K-Line interface electrical characteristics

Pin	Symbol	Parameter	Test conditions	Min.	Typ.	Max.	Unit
KL_TX	ITXsource	Transmitter input source current	-	10	-	100	µA
	ITXsink	Transmitter input sink current	KL_TX = VDD	-	-	2.1	µA
K_LINE	VKoutL	Transmitter output low voltage	IsinkK_LINE = 35 mA, KL_TX = Low	-1	-	1.5	V
	VKinH	Receiver input high voltage	-	0.7xVB	-	VB	V
	VKinL	Receiver input low voltage	-	-1	-	0.35xVB	V
	VKH	Receiver input hysteresis	-	0.05xVB	-	0.3xVB	V
	IKleak	Receiver leakage current	KL_LINE = VB, KL_TX = High	-	-	1	µA
K_LINE	IKshort	Transmitter short circuit current	KL_LINE = VB, KL_TX = Low	60	-	-	mA
	IKrev	Reverse battery or GND loss current	ENABLE = KEY = VB = 0 V, KL_LINE = -13.5	-	-	10	mA

Pin	Symbol	Parameter	Test conditions	Min.	Typ.	Max.	Unit
	IKpull-up	KLINE internal pull-up	KL_TX = High	60	-	140	kΩ
	IKuv	Under voltage current	KEY = High, KL_TX = Low, VB = 13.5 V, KL_LINE = -1 V	-	-	1	mA
KL_RX	VRXoutL	KL_RX output low voltage	I _{sink} = 0.4 mA	-	-	0.4	V
KL_TX to K_LINE	T _{p_HLT}	Transmitter turn-on delay time	C _{Kline} = 10 nF, R _{Kline} = 510 Ω	-	-	5	μs
K_LINE	T _{fT}	Transmitter fall time	C _{Kline} = 10 nF, R _{Kline} = 510 Ω	-	-	10	μs
KL_LINE to KL_RX	T _{pR}	Receiver turn-on delay time	C _{load} = 20 pF, R _{PKL_Rx} = 2 kΩ	-	-	4	μs
KL_RX	T _{fR}	Receiver fall time	C _{load} = 20 pF, R _{PKL_Rx} = 2 kΩ	-	-	2	μs
	T _{rR}	Receiver rise time	C _{load} = 20 pF, R _{PKL_Rx} = 2 kΩ	-	-	2	μs
K_LINE	fMax	Max transmission Operating frequency	Application note	-	-	60	kHz

Figure 15: K-line block diagram



3.5.18 SPI interface

Table 24: SPI characteristics and timings

Symbol	Parameter	Test conditions	Min	Typ	Max	Unit
SICin	Input capacitance	-	-	-	20	pF
SCKCin		-	-	-	20	pF
t _{SCKCS}	Clock inactive time before frame	-	100	-	-	ns
t _{CS} SO	Access time	See ⁽¹⁾	-	-	500	ns
t _{SOdis}	Output data (SO) disable time	No Capacitor on SO, See ⁽²⁾	-	-	500	ns
t _{lead}	Channels elect (CS) lead time	See ⁽¹⁾	500	-	-	ns
t _{SCKFSO}	Output valid time	See ⁽¹⁾ , @ f _{CLK} = 5.4 MHz	60	-	-	ns
t _{SOCS}	Output data (SO) disable time	No capacitor on SO, see ⁽¹⁾	-	-	500	ns
t _{SIsetup}	Input data (SI) set-up time	See ⁽¹⁾ , @ f _{CLK} = 5.4 MHz	20	-	-	ns
t _{SIhold}	Input data (SI) hold time	See ⁽¹⁾ , @ f _{CLK} = 5.4 MHz	20	-	-	ns
t _{SCK}	CLK period	-	185	-	-	ns
t _{CSCK}	Clock inactive time after frame	-	600	-	-	ns
t _{CSN}	CS de asserted time	-	600	-	-	ns

Notes:⁽¹⁾see Figure 17: "SPI timing diagram"⁽²⁾see Figure 16: "SO loading for disable time measurement"

Figure 16: SO loading for disable time measurement

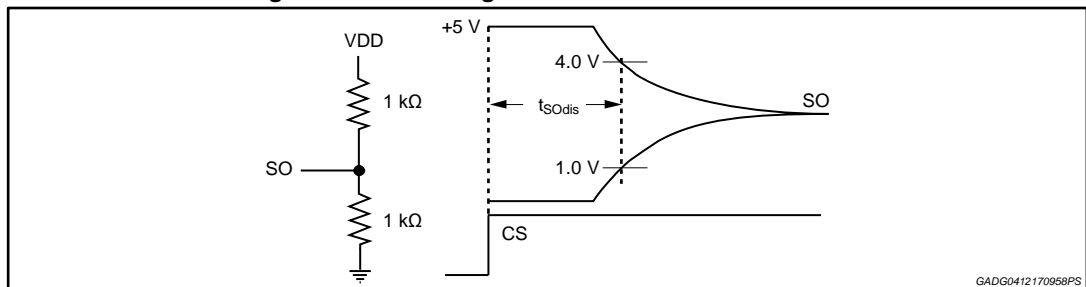
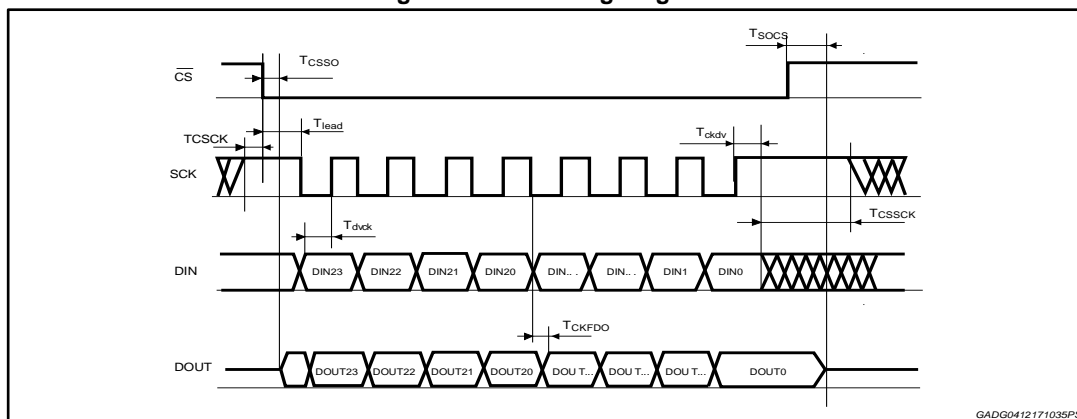


Figure 17: SPI timing diagram



4 Functional description

4.1 Chip working conditions

Table 25: A outputs working conditions

-	Standby	Run mode	VB_OV	VB_UV	Reset	Over current	Thermal warning
VDD_SB regulator	ON	ON	ON	ON	ON	Current limitation	ON
VDD regulator	OFF	ON	OFF	OFF	ON	Current limitation	OFF if linked with VDD current limitation
VDD_TRK regulator	OFF	ON	OFF	OFF	ON	Current limitation	OFF if linked with VDD_TRK current limitation
All LS drivers	OFF	ON	OFF	OFF	OFF	Over current switch off	ON
Diagnostics of all LS drivers	OFF	ON	OFF	OFF	ON ⁽¹⁾	-	ON
HS Driver	OFF	ON	OFF	OFF	OFF	Current limitation	ON
Stepper Motor Driver	OFF	ON	OFF	OFF	OFF	Over current switch off	ON
K-line Transceiver	OFF	ON	OFF	OFF	OFF	Current limitation	ON
VRS	OFF	ON	OFF	OFF	OFF	-	ON
SPI	Default	Default	Default	Default	Default	ON	ON

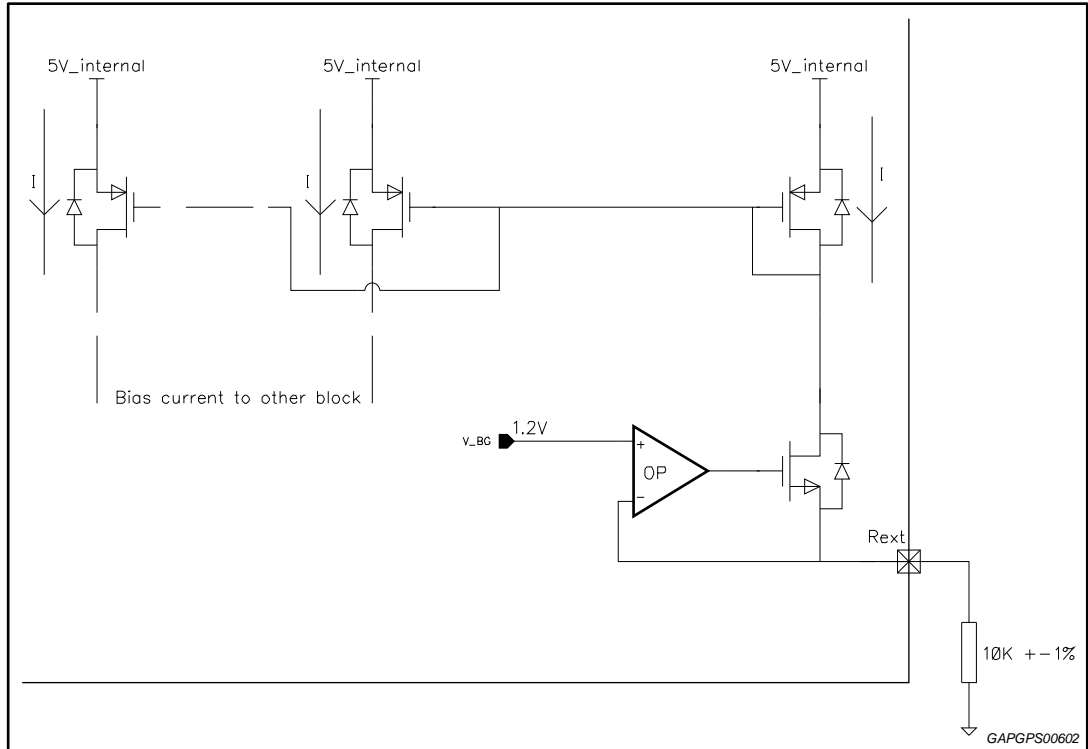
Notes:

⁽¹⁾The diagnostic currents and comparator are switched on in reset condition.

4.2 Chip bias current generation

The Internal current generator circuit is buffering internal band-gap voltage (1.2 V typ.) on a high precision external resistor (10 kΩ ± 1 %) and generates an accurate current reference used to create all the chip bias currents.

Figure 18: Current generator block diagram



4.3 Power up/down sequences

The figures below show the power-on, power-off and time diagram behaviour of the device.

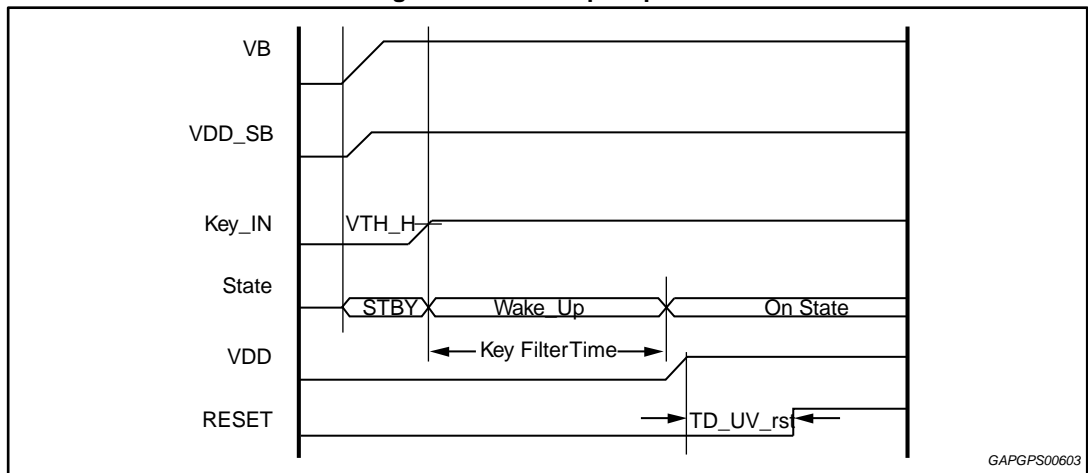
VDD_SB (standby voltage) rises together with battery input, and in standby it is always present if battery is present, no matter the KEY_IN status.

When the KEY_IN signal rises up and remains stable for at least T_key_deglitch (see [Table 8: "Key electrical characteristics"](#)), the device goes in ON state, meaning that all voltage regulators and functions are active.

Wake-up is an intermediate status between standby and on mode, with current consumption higher than the standby one.

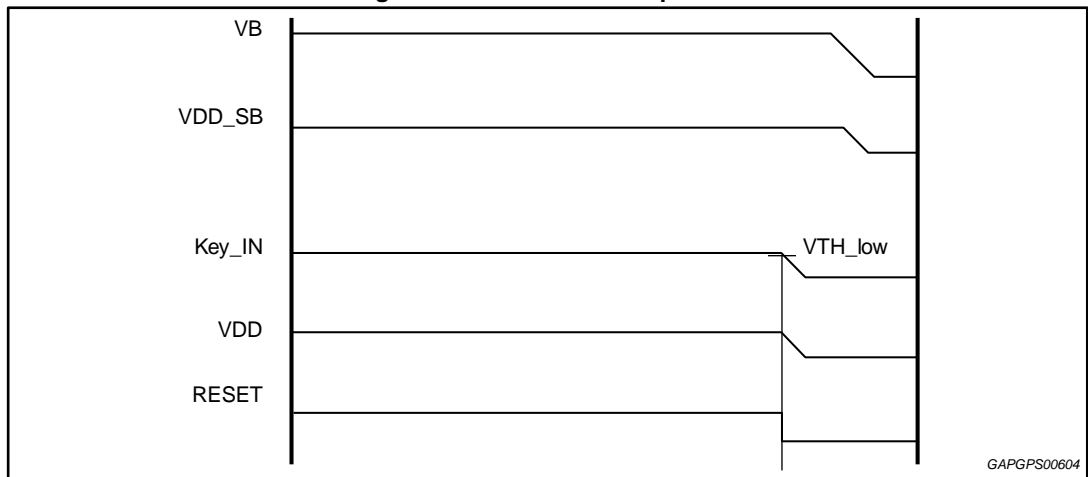
When Key_IN goes low, device goes in OFF mode but standby regulator remains ON.

Figure 19: Power-up sequence



GAPGPS00603

Figure 20: Power-down sequence



GAPGPS00604

Reset signal detects a VDD undervoltage longer than UV_Reset_Filter_time by going to low level. When VDD recovers to normal level Reset signal returns to high level after Power_On_UV_Reset_Delay time (td_UV_rst). The Reset signal resets all the internal SPI registers.

4.4 SPI

SPI is a standard four wires interface, that communicates with a data word of 24 bits. By means of SPI all the channels can be driven in serial way and diagnosis is sent out. Timing of SPI's operations are reported in [Figure 17: "SPI timing diagram"](#). The input data (DIN) is read on the rising edge of the SPI's clock (SCLK), in the same way the output data (DOUT) must be read by the Microcontroller on the SCLK's rising edge.

4.4.1 Data in (DIN)

DIN command is used to turn On/Off internal channels which do not have Parallel Input command, and to clear diagnostic latches.

DIN is decoded at the end of the frame if the integrity checks are passed.

Table 26: Data in (DIN) words content

DIN23	DIN22	DIN21	DIN20	DIN19	DIN18	DIN17	DIN16
Mask	LAMP_0	LAMP_1	VRS Diag	VRS Hys0	VRS Hys1	VRS Hys2	0
DIN15	DIN14	DIN13	DIN12	DIN11	DIN10	DIN9	DIN8
INJ1_0	INJ1_1	INJ2_0	INJ2_1	O2H_0	O2H_1	RLY1_0	RLY1_1
DIN7	DIN6	DIN5	DIN4	DIN3	DIN2	DIN1	DIN0
RLY2_0	RLY2_1	RLY3_0	RLY3_1	TACH_0	TACH_1	Clear diag	Parity

Data in structure (MSB first)

- **Mask** bit is used to mask serial command for diagnosis only readings on DOUT:
0 - Read Diag. All DIN bits are ignored.
1 - Write. All DIN are transferred into the internal registers.
- **Command** bits are used to control the output drivers: (INJ1-2, O2H, RLY1-2-3, LAMP and TACH) as described in the following table:

Table 27: Data in command bits structure

xxx_0	xxx_1	Description
0	1	Turn-off driver / parallel polarity 0
1	1	Turn-on driver / parallel polarity 1
X	0	No change (the driver will maintain the previous condition)

- **VRS Diag** bit is used active high to enable diagnostic phase of VRS block.
- Programmable VRS Hysteresis: VRS hysteresis is programmable in 5 steps according to [Table 28: "Data in VRS hysteresis"](#).
- **Clear Diag**, when set to 1 generates a request to clear those diagnostic flags which are latched.
- In addition **odd parity bit** (that is the last bit of the frame and includes in its calculation the "Don't care" bits) is used for DIN word check together with falling clock edges count.

Table 28: Data in VRS hysteresis

Hys 0	Hys 1	Hys 2	Description
0	0	0	Auto adaptive hysteresis
1	0	0	Hys VRS = 100 mV
0	1	0	Hys VRS = 200 mV
1	1	0	Hys VRS = 350 mV
0	0	1	Hys VRS = 650 mV
1	0	1	Hys VRS = 1000 mV
1	1	1	Not Valid (Hys doesn't change)

4.4.2 Data out

Status flags are sampled and sent out through DOUT pin at each R/W SPI operation. The structure of the 24 bit word is described in [Table 29: "Data out \(DOUT\) words content"](#). A three bits diagnosis is provided for stepper motor driver, a two bit diagnosis for other drivers. VRS diagnosis is coded as '0' means No Fault, while '1' means Fault. Over temperature warning is coded as '0' means No Fault, while '1' means Fault.

The SPI default value is: all bits set to zero.

Table 29: Data out (DOUT) words content

DOUT23	DOUT22	DOUT21	DOUT20	DOUT19	DOUT18	DOUT17	DOUT16
INJ1 Diag0	INJ1 Diag1	INJ2 Diag0	INJ2 Diag1	O2H Diag0	O2H Diag1	RLY1 Diag0	RLY1 Diag1
DOUT15	DOUT14	DOUT13	DOUT12	DOUT11	DOUT10	DOUT9	DOUT8
RLY2 Diag0	RLY2 Diag1	RLY3 Diag0	RLY3 Diag1	LAMP Diag0	LAMP Diag1	TACH Diag0	TACH Diag1
DOUT7	DOUT6	DOUT5	DOUT4	DOUT3	DOUT2	DOUT1	DOUT0
VRS Diag	Thermal Warning	Brdg1 Diag0	Brdg1 Diag1	Brdg1 Diag2	Brdg2 Diag0	Brdg2 Diag1	Brdg2 Diag2

Data out structure

Table 30: Two bits diagnosis (normal drivers)

Bit 0	Bit 1	Fault
0	0	No Fault
1	0	Short to Ground (OFF)
0	1	Open Load (OFF)
1	1	Overcurrent (ON)

Table 31: Three bits diagnosis (bridge stage)

Bit 0	Bit 1	Bit 2	Fault
0	0	0	No Fault
1	0	0	Short to Ground (OFF)
1	0	1	Short to VBAT (OFF)
0	1	0	Open Load (OFF)
1	1	0	Overcurrent (ON)

4.5 Diagnosis

The device provides a full set of diagnosis; deglitch timings listed below are digital, generated from internal clock and their accuracy is guaranteed by scan patterns and clock measurement.

4.5.1 Voltage regulators thermal warning and shutdown

The 5V linear voltage regulator/tracking regulator is shut down when the thermal shutdown temperature is reached and also the regulator is in current limitation. The shutdown is filtered with Tdgc filter of $30 \mu s \pm 25 \%$. As soon as the over temperature disappears the regulator is switched on again. Over temperature flag without any latch is present via SPI.

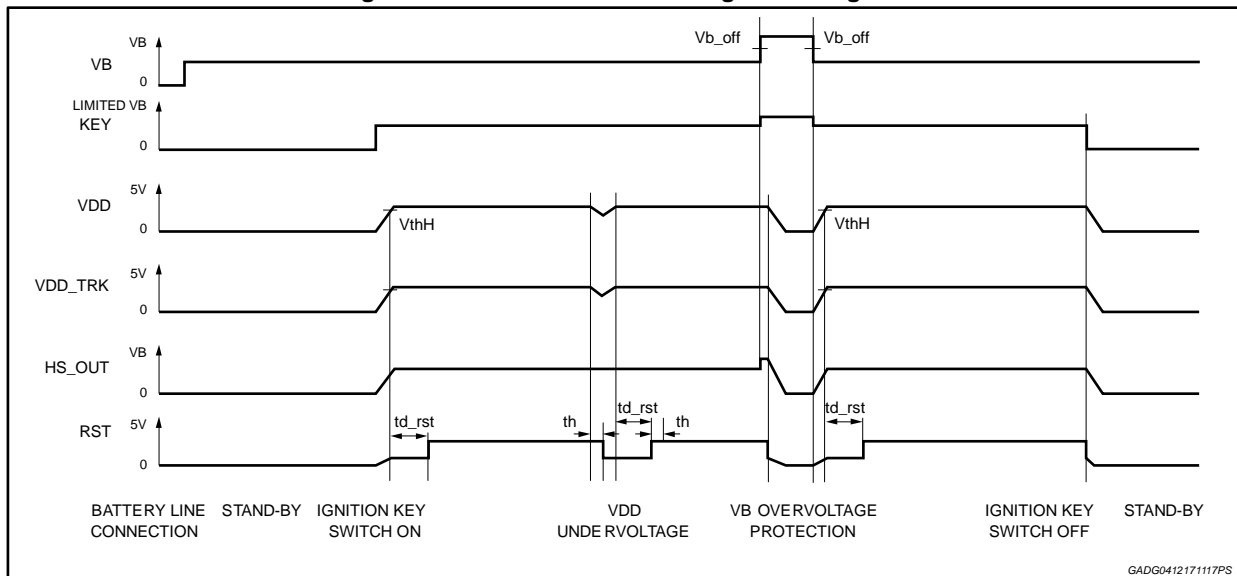
4.5.2 Overvoltage shut down

If the VB_off voltage is reached after Tdgc filtering time of $30 \mu s \pm 25 \%$ the device enters a safety state where the main outputs are switched-off. Voltage regulators, all low side channels, stepper motor driver and KLINE are switched off and reset is asserted. As soon as the battery goes below VB_off minus VB_off_h the device recovers standard operation.

4.5.3 Undervoltage shut down

If the VB_UV voltage is reached after analog Tdgc $1 \mu s \pm 20 \%$ filtering time the device enters a safety state where main outputs are switched-off. Voltage regulators, all low side channels, stepper motor driver and KLINE are switched off. As soon as the battery rises above VB_UV plus the hysteresis the device recovers normal operation.

Figure 21: A under and over voltage time diagram



4.5.4 Low side on/off diagnosis (INJ, RLY's, TACH, O2H)

About low side channels OFF diagnosis, the device issues a masking filter Tmask after channel turning off (falling edge of driving command) to avoid false fault detecting due to output transition from low to high. Tmask is of 1 ms ±25 % for all channels except for the relays, for which Tmask is 3.5 ms ±25 %. Once masking time has expired a deglitch filter Tdgc_noise of 3.6 μs ±40 % for noise immunity is activated. A fault longer than deglitch time is latched. Off state diagnostic fault can be overwritten by on state fault. Off state fault does not prevent the driver from switching on. The latched fault is cleared on request.

During on-phase if an over current fault occurs the drivers enter in current limitation condition for a digital filtering time Tdgc of 20 μs ±25 %, then it is switched OFF and the fault is latched. The channel is turned ON again by input command transition. The latched fault is cleared on request via SPI.

Over current fault has higher priority respect to OFF condition faults.

Figure 22: Low side driver diagnosis time diagram

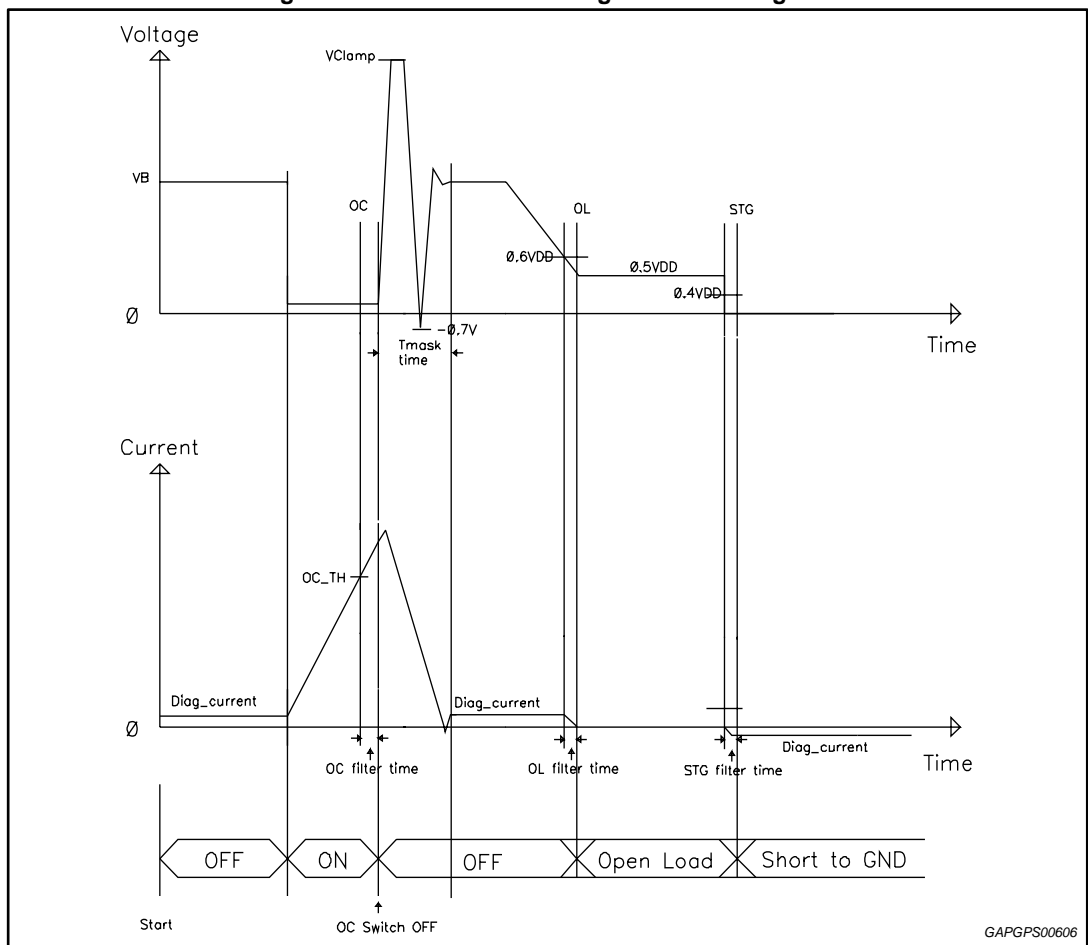
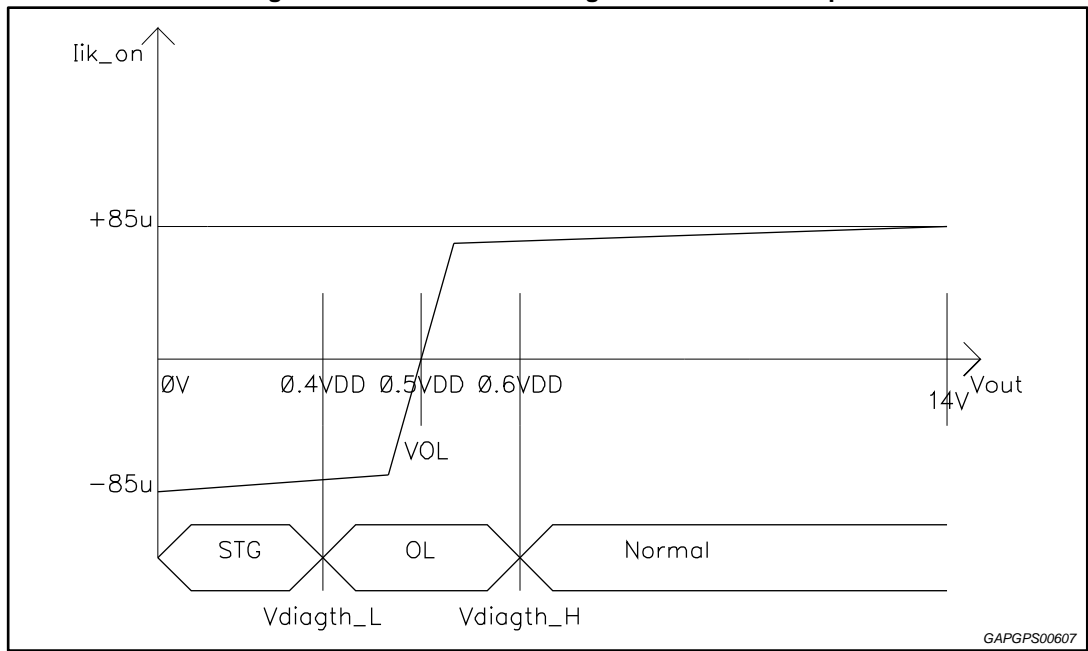


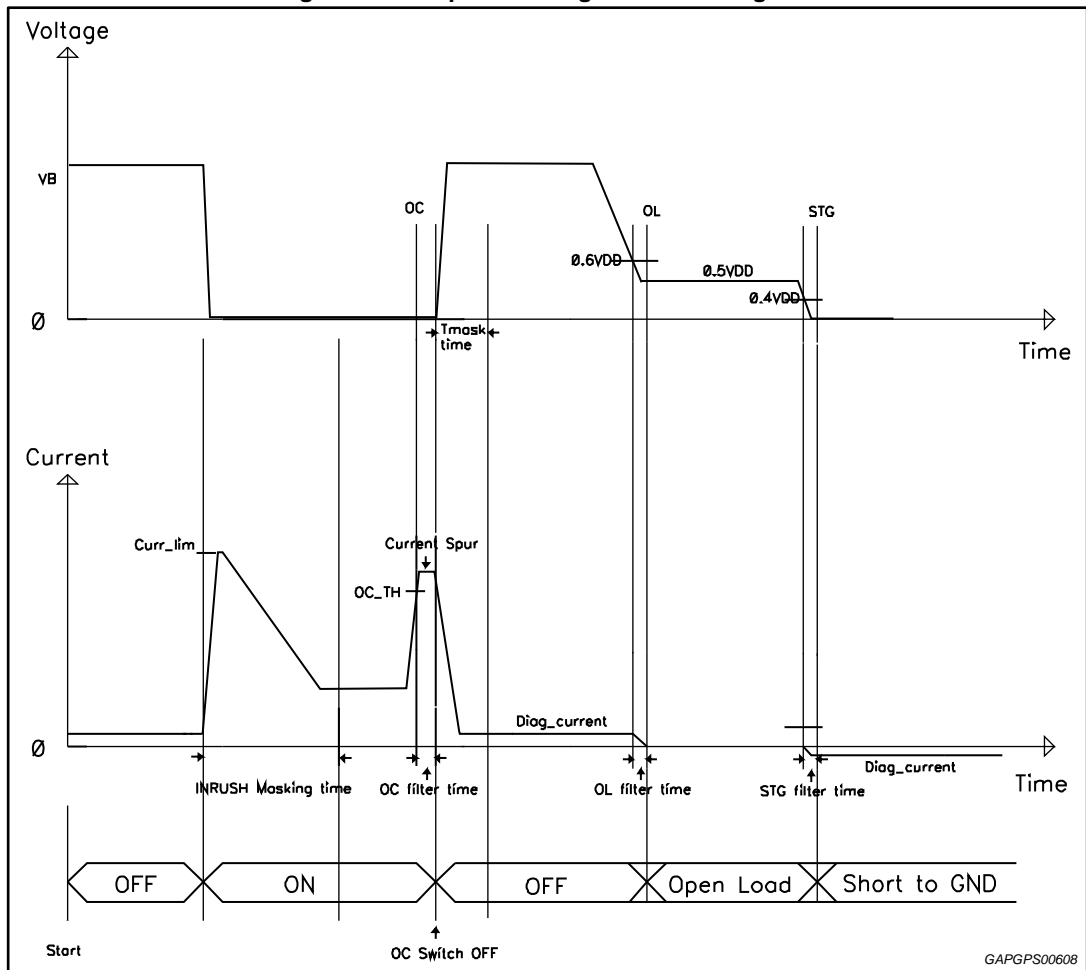
Figure 23: Low side driver diagnosis I-V relationship



4.5.5 Lamp driver on/off diagnosis

In OFF condition diagnosis is the same as Low side, with Tmask 3.5 ms \pm 25 % and Tdgc_noise 3.6 μ s \pm 40 %, while in ON condition initial Inrush current is masked for Tmask_rush of 45 ms \pm 25 % then, if an over current fault occurs the drivers enter in current limitation condition for a digital filtering time Tdgc of 20 μ s \pm 25 %, then it is switched OFF and the fault is latched. The channel is turned ON again by input command transition. The latched fault is cleared on request via SPI. Over current fault has higher priority with respect to OFF condition faults.

Figure 24: Lamp driver diagnosis time diagram



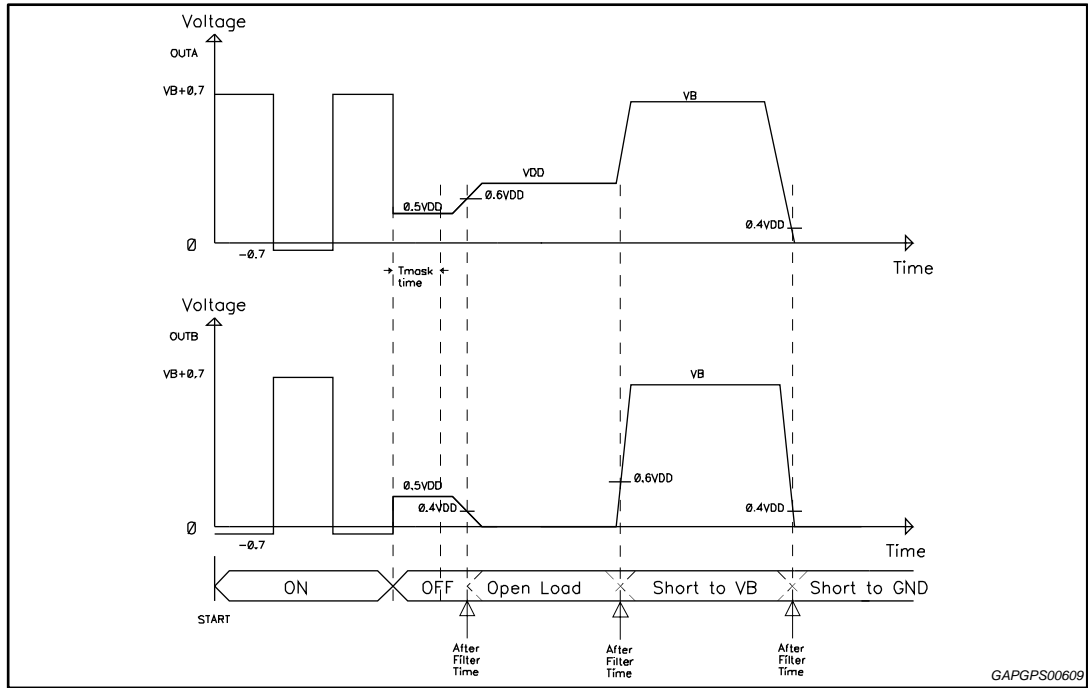
4.5.6 Stepper motor driver off diagnosis (EN signal low and output in high impedance state)

In OFF condition Short to GND/Short to V_b or Open Load condition is continuously detected through a deglitch filter of $125 \mu s \pm 25 \%$, after T_{mask} masking time of $1 ms \pm 25 \%$ to filter ON/OFF transition. To avoid false diagnostic due to motor residual movement, the stepper has to be disabled at least 40 ms after the PWL signal has been disabled. A fault longer than deglitch time is latched. Off state diagnostic fault can be overwritten by on state fault. Off state fault does not prevent the stepper from switching on. The latched fault is cleared on request.

4.5.7 Stepper motor driver on diagnosis (EN signal high and output driven by input commands)

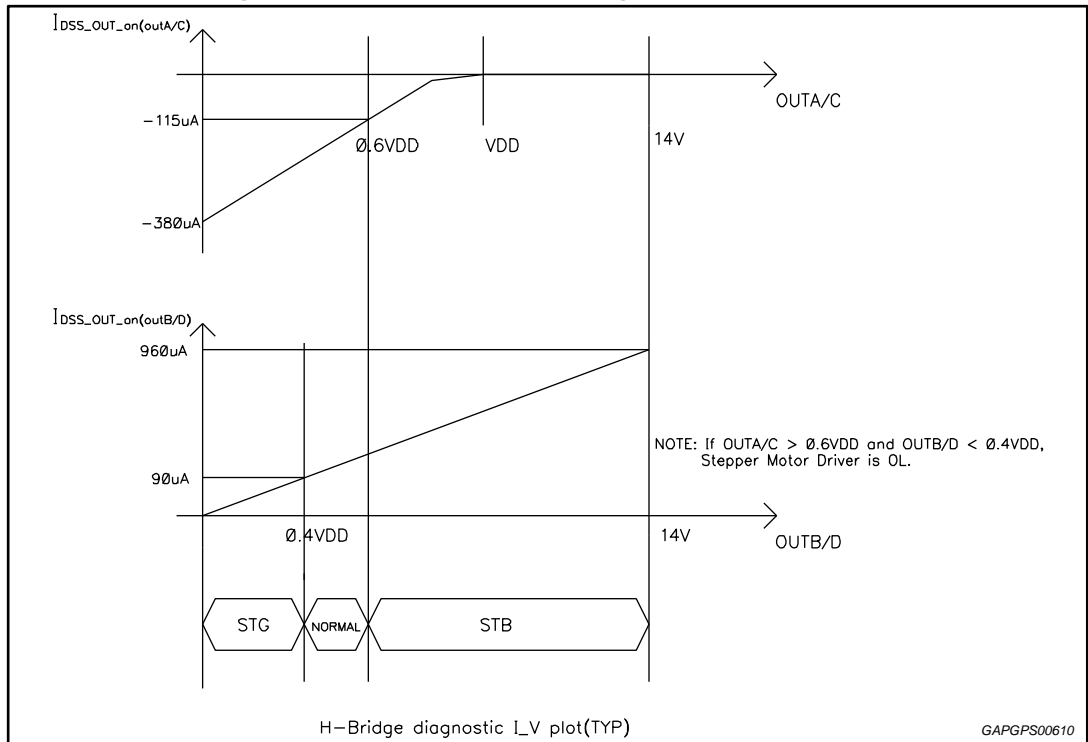
In ON condition when over current fault is detected and validated after digital filtering time T_{dgc} of $20 \mu s \pm 25 \%$, the bridge is turned OFF and the fault is latched. The bridge is turned ON again by input command EN transition. The latched fault is cleared on request. Over current fault has higher priority with respect to OFF condition faults. Each Bridge has dedicated fault diagnosis detection coded by three bits.

Figure 25: Stepper motor driver diagnosis time diagram



GAPGPS00609

Figure 26: Stepper motor driver diagnosis I-V relationship



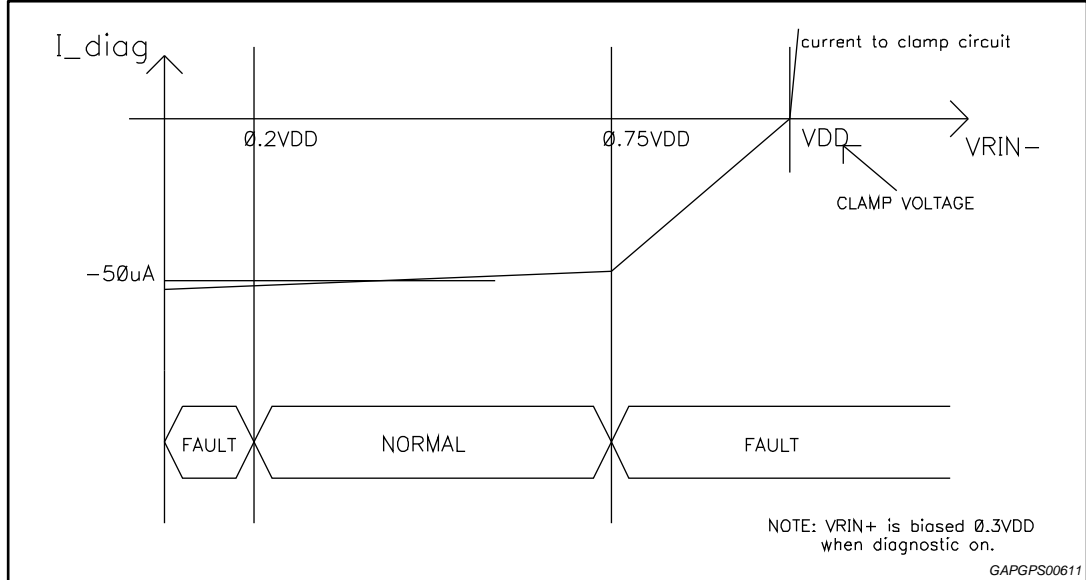
H-Bridge diagnostic I_V plot(TYP)

GAPGPS00610

4.5.8 VRS diagnosis

VRS block enters diagnosis phase on request via SPI and then generates a Fault bit. If the fault exceeds the Tdgc filter time of $30 \mu s \pm 20 \%$, it is latched. The latched fault is cleared on request via SPI.

Figure 27: VRS diagnosis I-V relationship



4.6 VRS interface

4.6.1 Function characteristic

The flying wheel interface is an interface between the μP and the flying wheel sensor: it conditions signal coming from magnetic pick-up sensor or hall effect sensor and feeds the digital signal to microcontroller that extracts flying wheel rotational position, angular speed and acceleration.

Figure 28: VRS typical characteristics

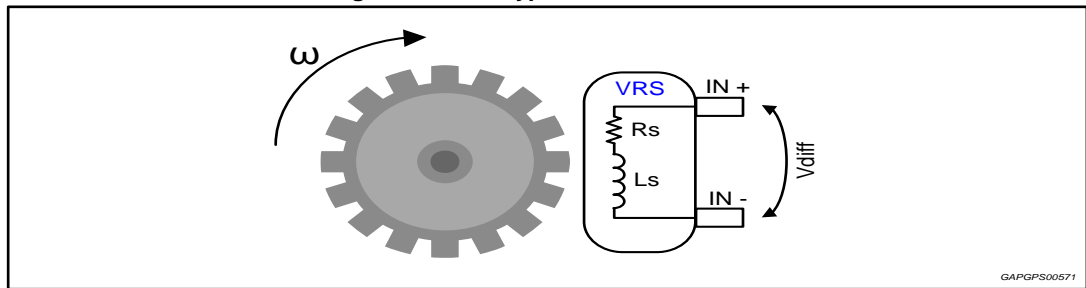
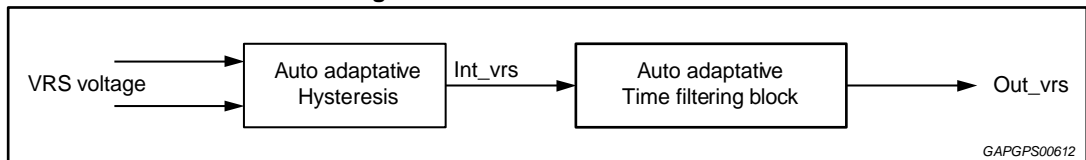


Figure 29: VRS interface structure



4.6.2 Auto-adaptative hysteresis

Input signals difference is obtained through a full differential amplifier; its output, DV signal, is fed to peak detection circuit and then to A/D converter implemented with 4 voltage comparator (5 levels Pvi). Output of A/D is sent to Logic block (hysteresis selection [Table 33: "Hysteresis threshold precision"](#)) that implements correlation function between Peak voltage and hysteresis value; hysteresis value is used by square filtering circuit which conditions DV signal.

Figure 30: Auto-adaptative hysteresis block diagram

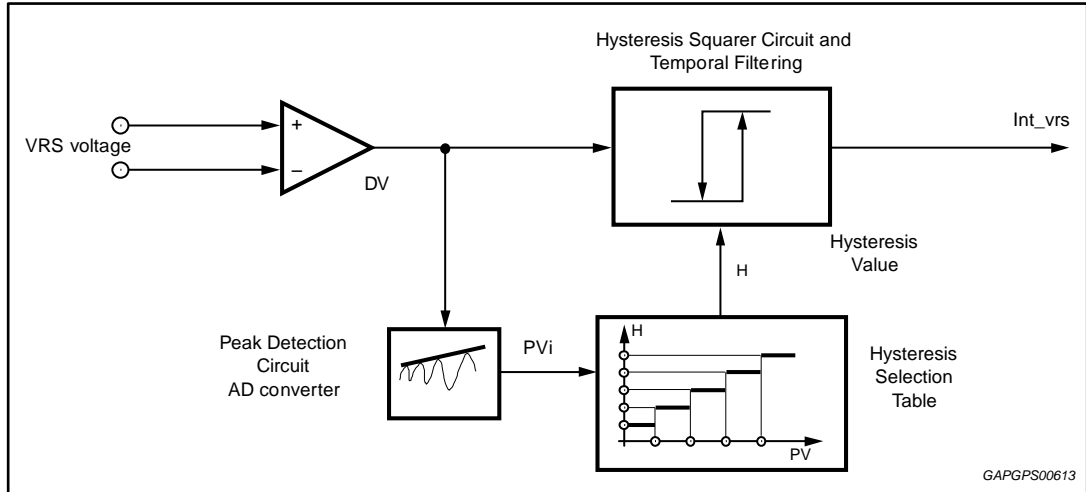
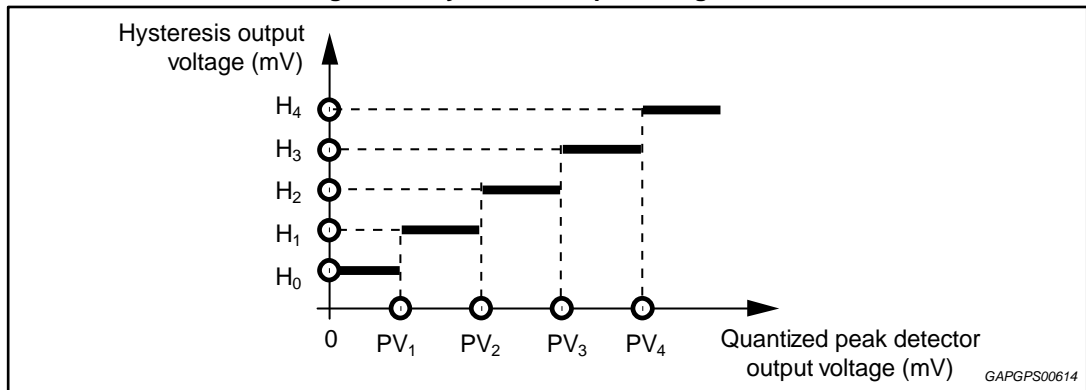


Figure 31: Hysteresis output voltage level



To the previous 5 levels PV = [0 PV1 PV2 PV3 PV4] correspond to a set of 5 thresholds:

- $H = [H_0 H_1 H_2 H_3 H_4]$

The advised values for the previous defined vectors are:

- $PV = [0 PV_1 PV_2 PV_3 PV_4] = [0, 900, 1560, 2230, 2900]$ mV
- $H = [H_0 H_1 H_2 H_3 H_4] = [100, 200, 350, 650, 1000]$ mV

Table 32: Peak voltage detector precision

Pick voltage [PV]	Value			Unit
	Min.	Typ.	Max.	
PV1	850	900	950	mV
PV2	1452	1560	1638	mV
PV3	2118	2230	2341	mV
PV4	2755	2900	3045	mV

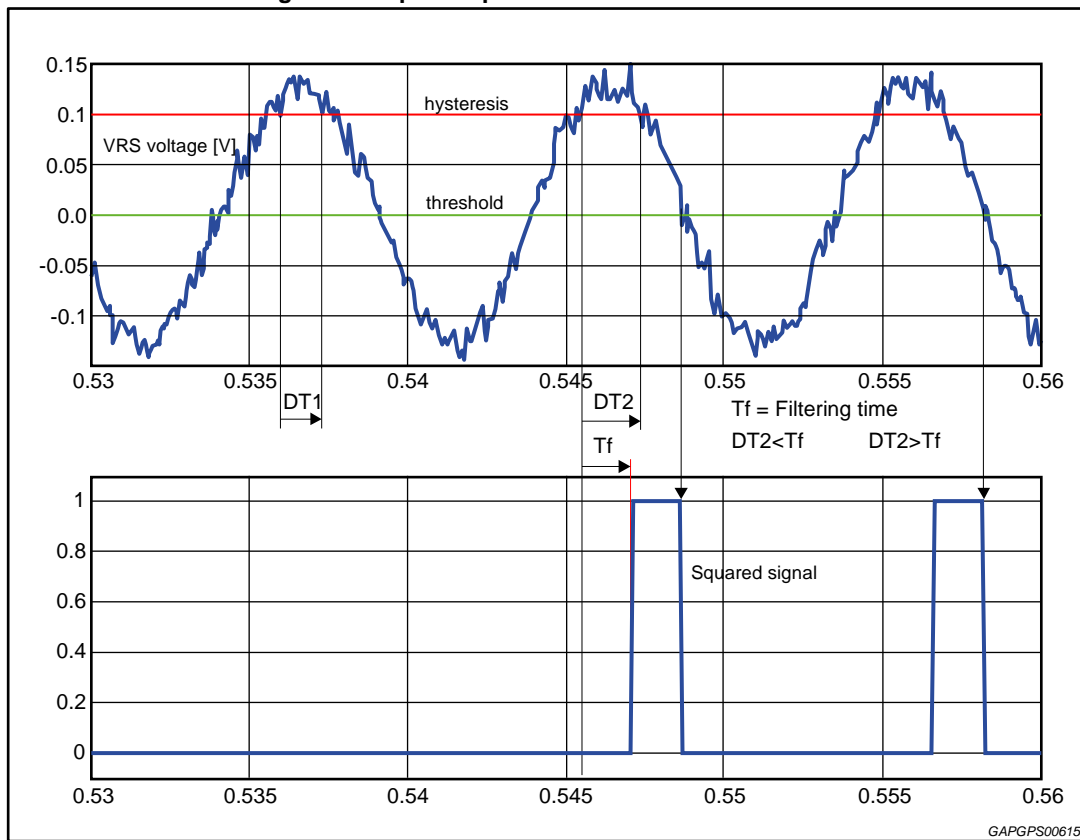
Table 33: Hysteresis threshold precision

Pick voltage [PV]	Value			Unit
	Min.	Typ.	Max.	
H0	70	100	130	mV
HV1	140	200	220	mV
HV2	250	347	390	mV
HV3	490	644	720	mV
HV4	730	1000	1120	mV



Hysteresis voltages are achieved by injecting an hysteresis bias current on $V_{RIN\pm}$ external resistors (typ. 10 kΩ each, see [Figure 38: "Application circuit"](#)). The resulting HV voltage is $HV = I_{hys} * R_{typ}$. Changing the value of R the hysteresis value would change in a linear mode.

Figure 32: Input-output behaviour of VRS interface



4.6.3 Auto-adaptative time filter

This characteristic is useful to set the best internal filter time as function of the input signal frequency.

The Tfilter time depends on the previous period duration Tn according to the following formula:

$$T_{filter}(n+1) = 1/32 * T_n \text{ if } T_n > T_{filter}(n)$$

The filtering time purpose is to filter very short spikes.

The digital filtering time is applied to internal squared signal (int_vrs), obtained by voltage comparators.

The output of time filtering block is out_vrs signal.

The filtering time Tfilter is applied to int_vrs signal in two different ways:

- Rising edge: if int_vrs high level lasts less than Tfilter, out_vrs is not set to high level.
- In absence of any spikes during input signal rising edge out_vrs signal is expected with a delay of Tfilter time.
- Falling edge: the falling edge of int_vrs is not delayed through time filtering block: after falling edge for a time Tfilter any other transition on int_vrs signal is ignored

The initial value (Default) and maximum for Tfilter must be considered at RPM_min = 20 e.g. Tmax filter = 180 μs. The minimum available value is Tmin filter = 2.8 μs.

Figure 33: Auto-adaptative time filter behaviour 1

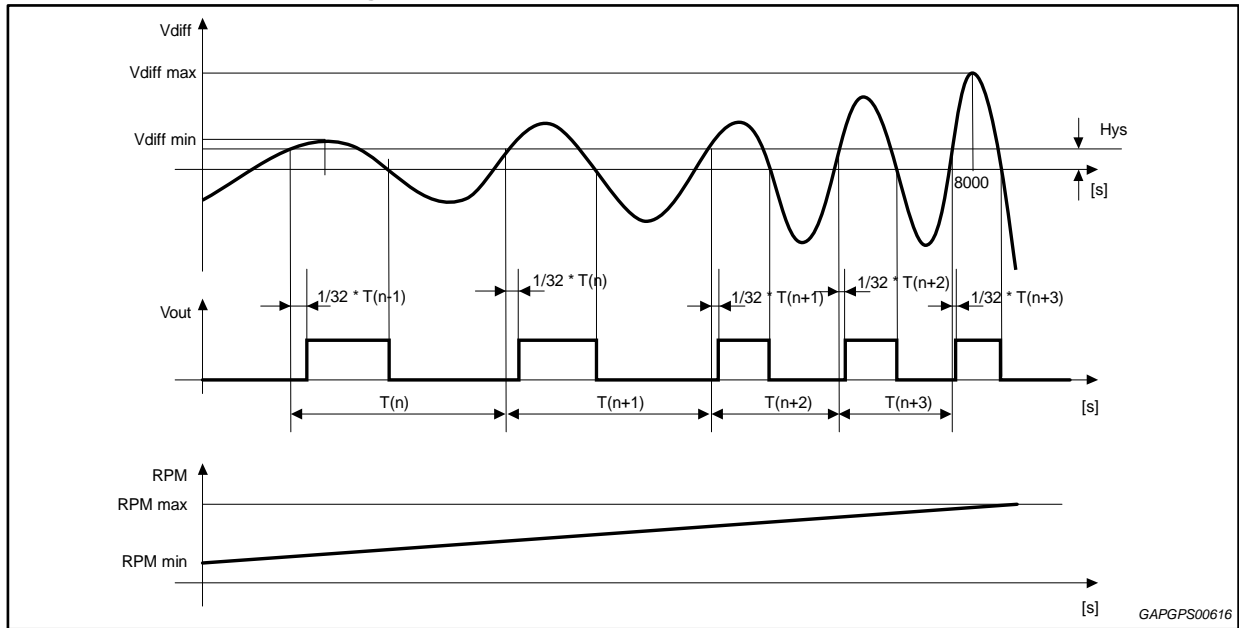
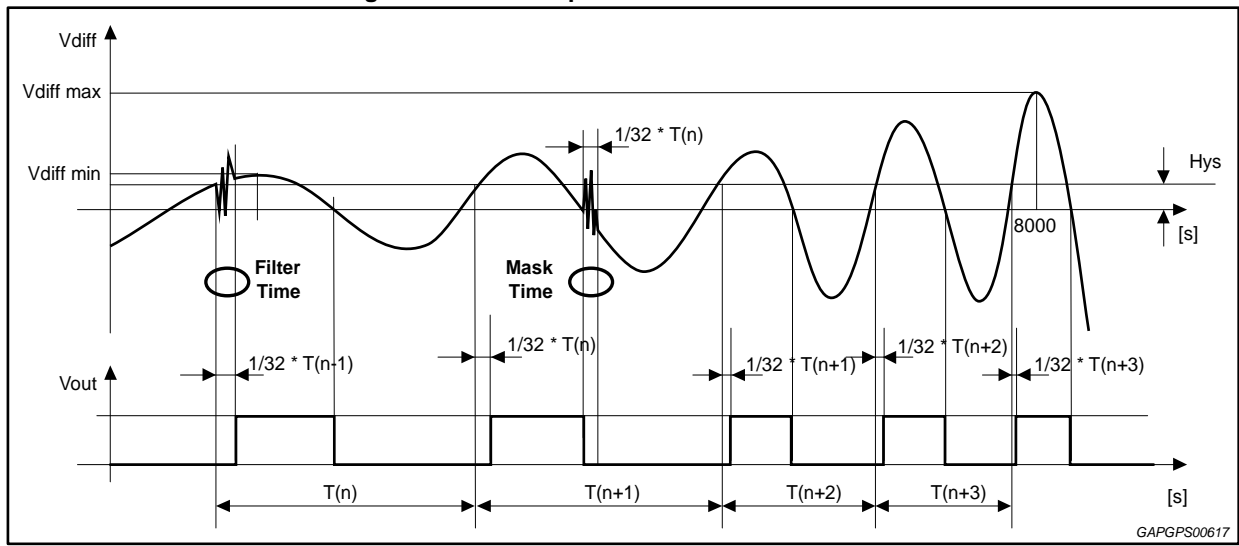


Figure 34: Auto-adaptative time filter behaviour 2

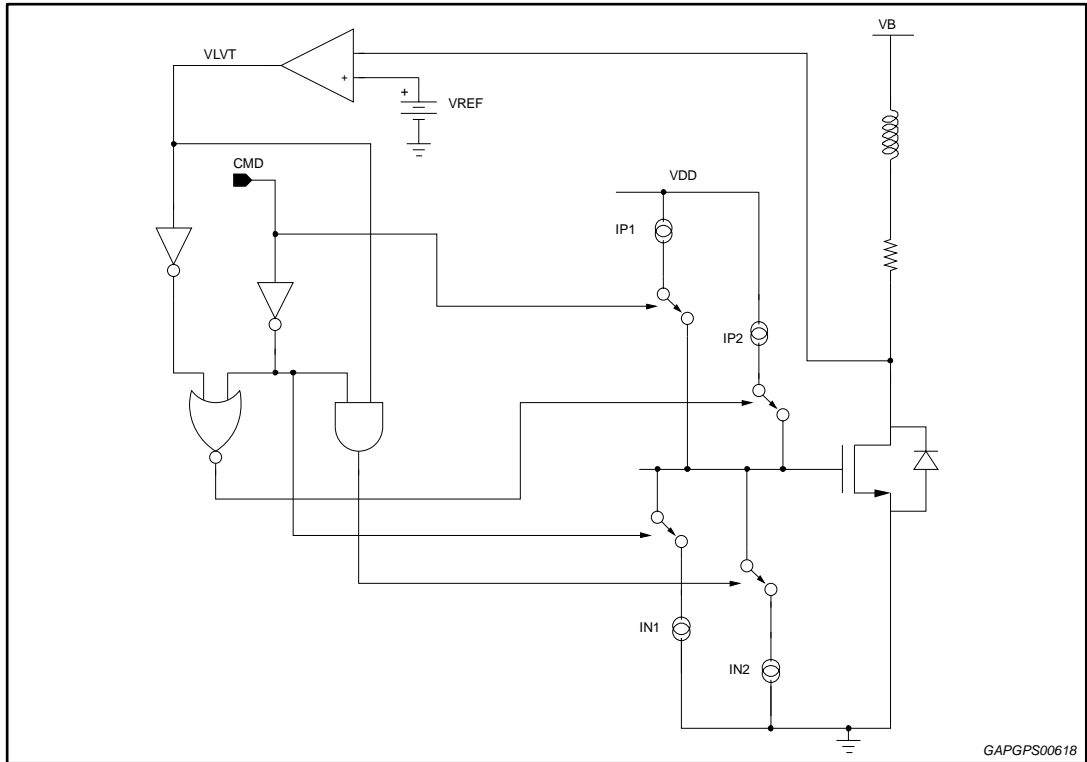


5 Low side drivers

Low side drivers have a voltage slew rate control during switch-on/off phase to reduce emissions.

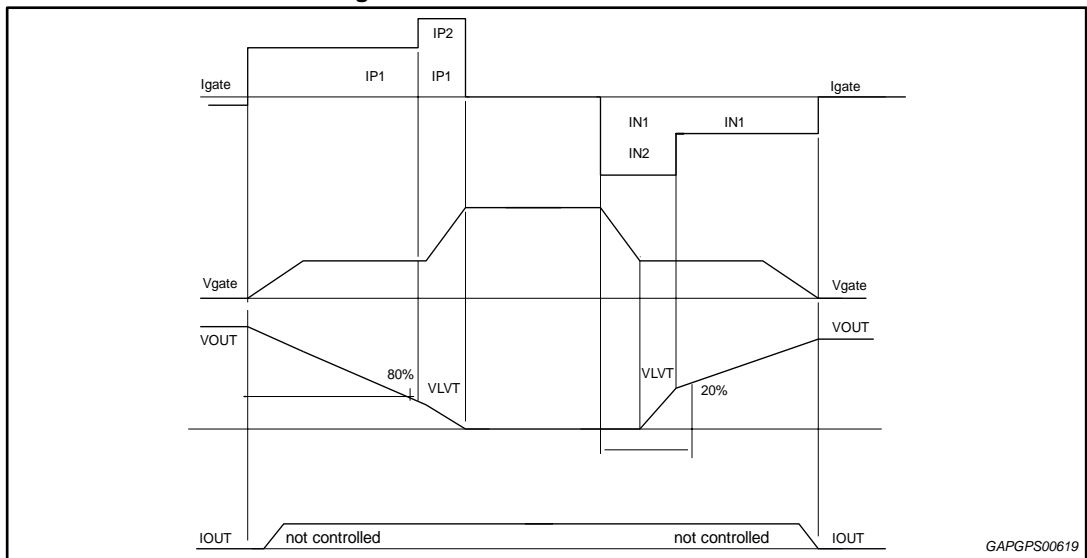
The slew-rate control is achieved controlling the gate charging current and the behavior is described in *Figure 35: "Low side drivers slew rate implementation"* and *Figure 36: "Low side drivers slew rate"*.

Figure 35: Low side drivers slew rate implementation



GAPGPS00618

Figure 36: Low side drivers slew rate



GAPGPS00619

At switch-on command the charging current is provided by current generator IP1 and is kept constant until the output voltage is decreased of roughly 80% of typical battery level. At this point the low side transistor is on and VLVT signal is set to logic 1 to connect IP2 current generator in parallel with IP1, completing the gate charge curve and providing maximum gate drive.

When the power transistor is switched-off the gate is discharged quickly using both IN1 and IN2 currents; as soon as the output voltage reaches roughly 20 % of the nominal battery voltage only IN1 is kept connected to complete the gate discharging.

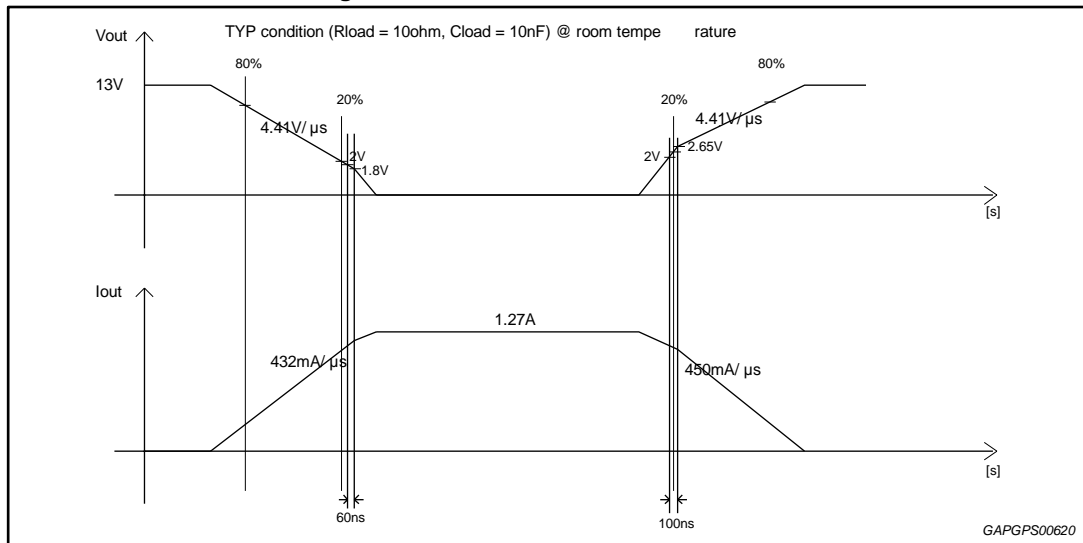
In [Table 34: "Values for IPx and INx current generators for each low side"](#) the values for IPx and INx current generators are reported for each low side.

As an example [Figure 37: "O2H low side driver slew rate"](#) shows the resulting slew rate, in typical conditions, of O2H low side driver.

Table 34: Values for IPx and INx current generators for each low side

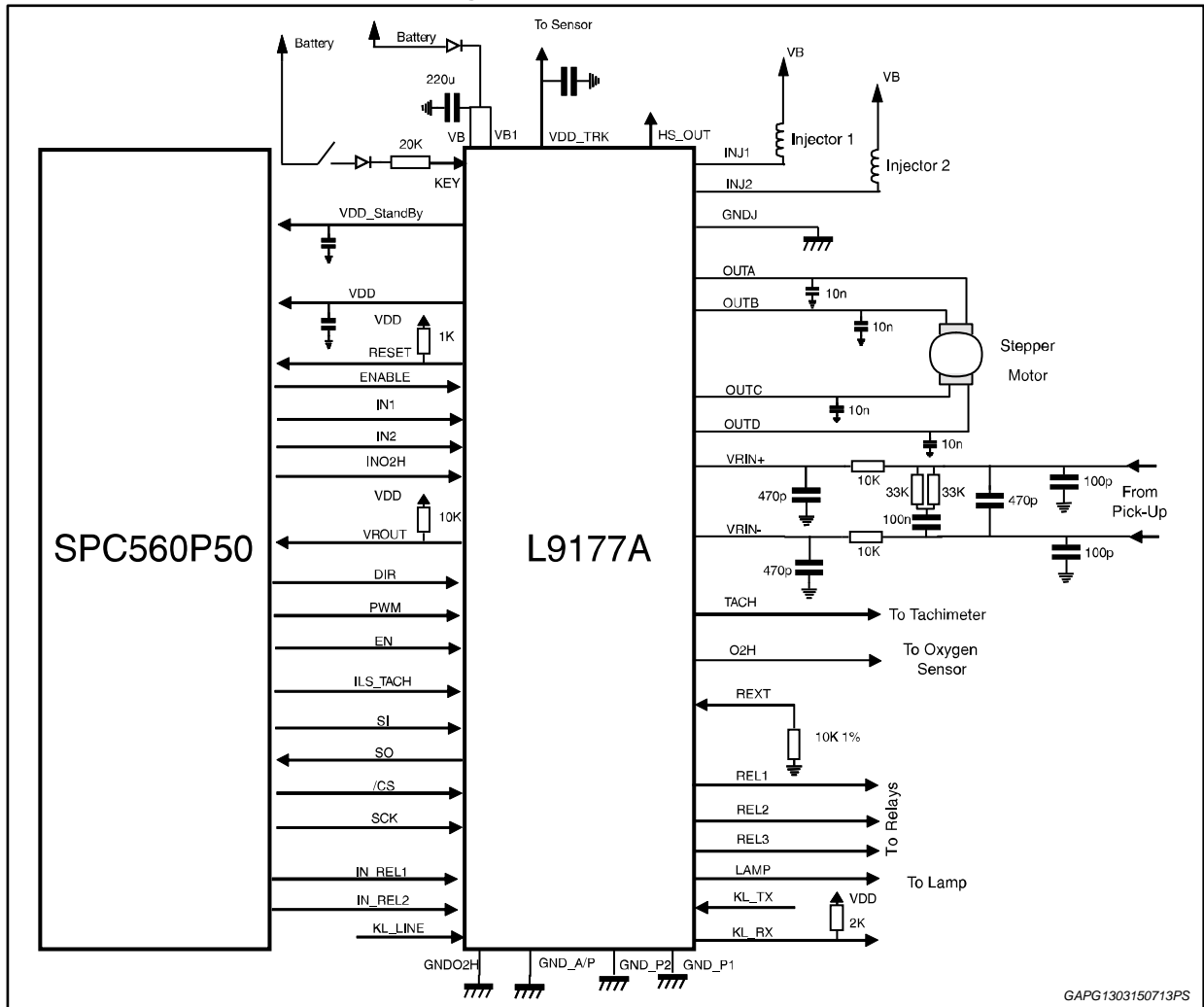
Low side	IP1	IP2	IN1	IN2	Unit
O2H	243	81	253	337	μA
INJ	174	23	180	124	μA
RLY's	78	0	80	120	μA
LAMP	78	0	62	119	μA
TACH	22	0	21	25	μA

Figure 37: O2H low side driver slew rate



6 Application circuit

Figure 38: Application circuit



GAPG1303150713PS

6.1 Bill of material

Table 35: Bill of material

Block	Component	Name	Usage	Min	Typ	Max	Unit
Supply	Capacitor	C1VB_MAIN	Bulk capacitor		220		μF
	Diode	D1	Reverse polarization protection diode				
Key	Resistor	R_Key	Current limiting resistor		20		kΩ
Rext	Resistor	R_ext	Pull-up resistor		10 (1%)		kΩ
Reset	Resistor	R_reset	Pull-up resistor		1		kΩ
VDD	Capacitor	C_VDD value	Output capacitor (Ceramic or Tantalum)	4.7		60	μF
		C_VDD ESR				1.5	Ω
VDD_trk	Capacitor	C_Vtrk value	Output capacitor	2.2		100	μF
		C_Vtrk ESR		10		100	mΩ
Vdd_sby	Capacitor	C_VDD_stby value	Output capacitor	1		10	μF
		C_VDD_stby ESR				200	mΩ
VRS	Capacitor	C_VRS+_in	Filter Capacitor			100	pF
VRS	Capacitor	C_VRS-_in	Filter Capacitor			100	pF
VRS	Capacitor	C_VRS+_out	Filter Capacitor			470	pF
VRS	Capacitor	C_VRS-_out	Filter Capacitor			470	pF
VRS	Resistor	R_VRS+	Current limiting resistor			10	kΩ
VRS	Resistor	R_VRS-	Current limiting resistor			10	kΩ
VRS	Capacitor	CF_1	Filter Capacitor			470	pF
VRS	Capacitor	CF_2	Filter Capacitor			100	nF
VRS	Resistor	RF_1	Filter resistor			33	kΩ
VRS	Resistor	RF_2	Filter resistor			33	kΩ
VRS	Resistor	R_VROUT	Pull-up resistor		10		kΩ
K-Line	Resistor	RX pull-up	Pull-up resistor			2	kΩ
Stepper	Capacitor	OUTA	EMI filter capacitor			10	nF
Stepper	Capacitor	OUTB	EMI filter capacitor			10	nF
Stepper	Capacitor	OUTC	EMI filter capacitor			10	nF
Stepper	Capacitor	OUTD	EMI filter capacitor			10	nF

7 Package information

In order to meet environmental requirements, ST offers these devices in different grades of ECOPACK® packages, depending on their level of environmental compliance. ECOPACK® specifications, grade definitions and product status are available at: www.st.com. ECOPACK® is an ST trademark.

7.1 TQFP64 (10x10x1 mm exp. pad down) package information

Figure 39: TQFP64 (10x10x1 mm exp. pad down) package outline

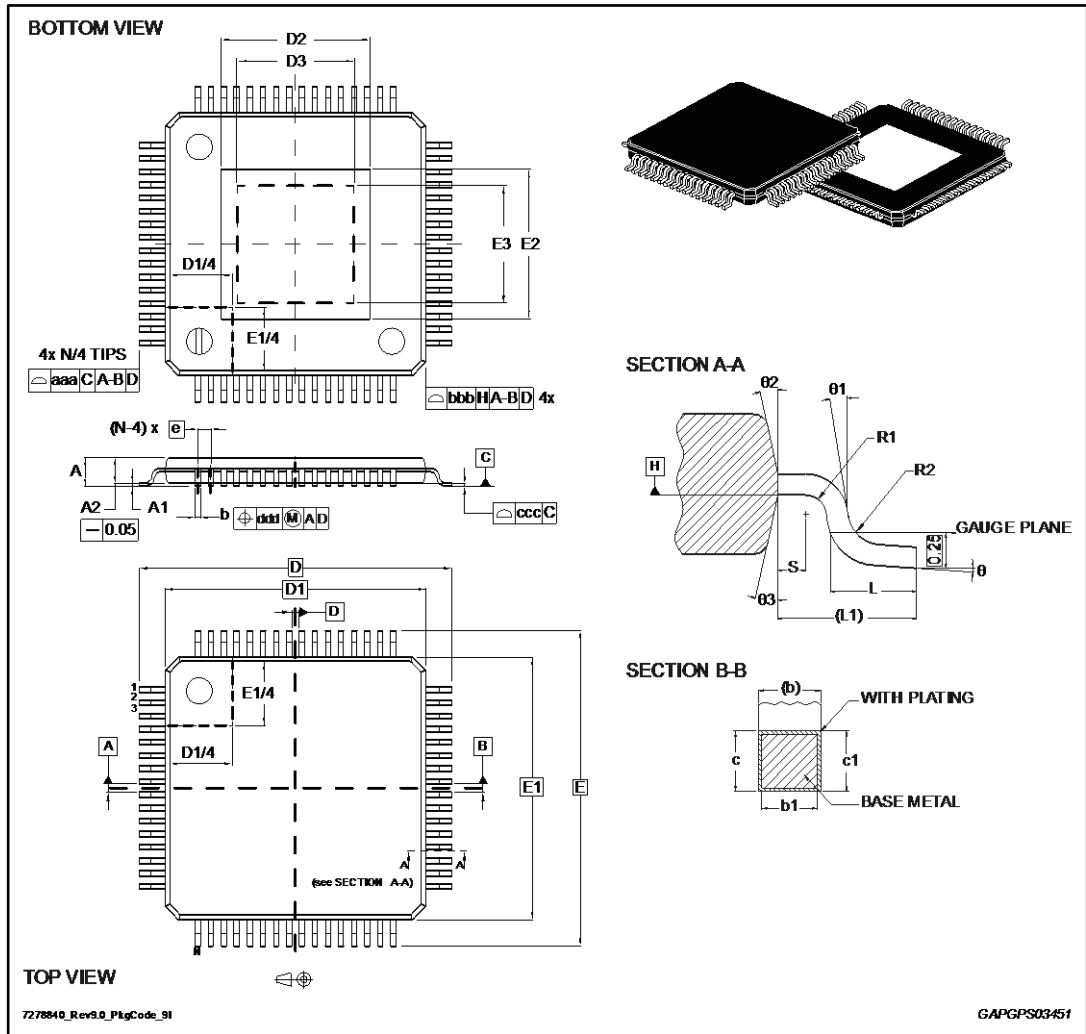


Table 36: TQFP64 (10x10x1 mm exp. pad down) package mechanical data

Ref	Dimensions (mm)		
	Min.	Typ.	Max.
Θ	0°	3.5°	7°
$\Theta 1$	0°	-	-
$\Theta 2$	11°	12°	13°
$\Theta 3$	11°	12°	13°
A	-	-	1.20
A1	0.05	-	0.15
A2	0.95	1.0	1.05
b	0.17	0.22	0.27
b1	0.17	0.20	0.23
c	0.09	-	0.20
c1	0.09	-	0.16
D	-	12.00 BSC	-
D1 ⁽¹⁾	-	10.00 BSC	-
D2	See VARIATIONS		
D3	See VARIATIONS		
e	-	0.50 BSC	-
E	-	12.00 BSC	-
E1	-	10.00 BSC	-
E2	See VARIATIONS		
E3	See VARIATIONS		
L	0.45	0.60	0.75
L1	-	1.00 REF	-
N	64		
R1	0.08	-	-
R2	0.08	-	0.20
S	0.20	-	-
TOLERANCE OF FORM AND POSITION			
aaa	-	0.20	-
bbb	-	0.20	-
ccc	-	0.08	-
ddd	-	0.07	-
VARIATIONS			
Pad option 4.3 x 4.3 (T3)			
D2	-	-	4.65
E2	-	-	4.65
D3	2.90	-	-
E3	2.90	-	-

Ref	Dimensions (mm)		
	Min.	Typ.	Max.
Pad option 4.5 x 4.5 (T1-T3)			
D2	-	-	4.98
E2	-	-	4.98
D3	3.29	-	-
E3	3.29	-	-
Pad option 6.0 x 6.0 (T3)			
D2	-	-	6.40
E2	-	-	6.40
D3	4.80	-	-
E3	4.80	-	-
Pad option 7.5 x 7.5 (T1)			
D2	-	-	7.60
E2	-	-	7.60
D3	7.30	-	-
E3	7.30	-	-

Notes:

⁽¹⁾Dimensions D1 and E1 do not include mold flash or protrusions. Allowable mold flash or protrusion is 0.25 mm per side.

8 Revision history

Table 37: Document revision history

Date	Revision	Changes
20-Sep-2017	1	Initial release.
29-Sep-2017	2	Updated Table 2: "Pin function" pin 27 column "Class" from SIGNAL to PWR; Updated Section 3.1.1: "Supply voltage" ; Changed titles: Section 4.5.6: "Stepper motor driver off diagnosis (EN signal low and output in high impedance state)" and Section 4.5.7: "Stepper motor driver on diagnosis (EN signal high and output driven by input commands)" ; Updated "Notes" in the Table 5: "ESD protection" ; Updated unit of "T_key_deglitch" parameter" in Table 8: "Key electrical characteristics" and "R_pull" in Table 9: "Digital pins characteristics" .
05-Dec-2017	3	Corrected typos in the titles of the sections: Section 4.5.6: "Stepper motor driver off diagnosis (EN signal low and output in high impedance state)" and Section 4.5.7: "Stepper motor driver on diagnosis (EN signal high and output driven by input commands)" . Updated Table 2: "Pin function" . Substituted in the datasheet (texts, tables and drawings) "Vdd" with "VDD". Updated: Figure 5: "5 V main regulator block diagram" ; Section 3.5.9: "High side switch" ; Figure 11: "Low-side timing diagram (injectors, relays, lamp, tach, O2H)" ; Figure 16: "SO loading for disable time measurement" ; Figure 17: "SPI timing diagram" ; Section 4.4.1: "Data in (DIN)" ; Section 4.4.2: "Data out" ; Section 4.5.3: "Undervoltage shut down" ; Section 6.1: "Bill of material" .

IMPORTANT NOTICE – PLEASE READ CAREFULLY

STMicroelectronics NV and its subsidiaries ("ST") reserve the right to make changes, corrections, enhancements, modifications, and improvements to ST products and/or to this document at any time without notice. Purchasers should obtain the latest relevant information on ST products before placing orders. ST products are sold pursuant to ST's terms and conditions of sale in place at the time of order acknowledgement.

Purchasers are solely responsible for the choice, selection, and use of ST products and ST assumes no liability for application assistance or the design of Purchasers' products.

No license, express or implied, to any intellectual property right is granted by ST herein.

Resale of ST products with provisions different from the information set forth herein shall void any warranty granted by ST for such product.

ST and the ST logo are trademarks of ST. All other product or service names are the property of their respective owners.

Information in this document supersedes and replaces information previously supplied in any prior versions of this document.

© 2017 STMicroelectronics – All rights reserved