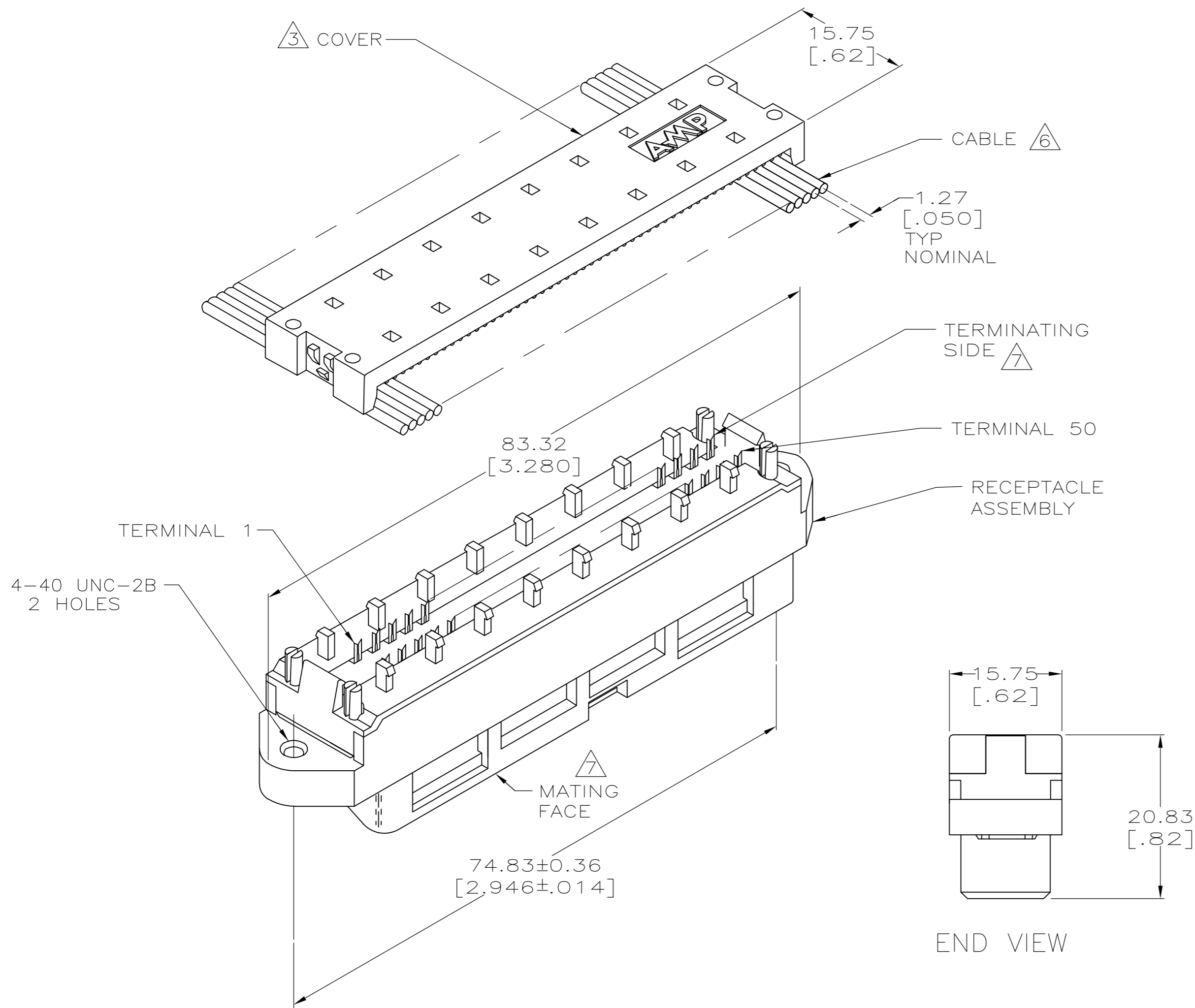


THIS DRAWING IS UNPUBLISHED. RELEASED FOR PUBLICATION
 © COPYRIGHT BY TYCO ELECTRONICS CORPORATION. ALL RIGHTS RESERVED.

LOC		DIST		REVISIONS			
P	LTR	DESCRIPTION		DATE	DWN	APVD	
GP	00	J		REVISED PER ECO-08-007327	17APR08	BM WM	



- 1 THE CONTACT SURFACES OF THE TERMINALS ARE COATED WITH LUBRICANT.
- 2 MATERIAL:
HOUSING AND COVER - THERMOPLASTIC (BLACK).
TERMINALS - PHOS BRONZE PLATED WITH EITHER 0.76µm [.000030] MINIMUM GOLD PLATE OR GOLD FLASH OVER PALLADIUM NICKEL PLATE, 0.76µm [.000030] MIN TOTAL ON MATING SURFACE. GOLD FLASH PLATED ON TERMINATING SIDE. 1.27µm [.000050] MINIMUM NICKEL UNDERPLATE OVER ENTIRE TERMINAL.
- 3 COVER SHOWN LOOSE BUT SHIPPED ASSEMBLED.
- 4. WIRE RANGE: 26 AWG SOLID THRU 30 AWG AND 28 AWG STRANDED RIBBON CABLE.
- 5 ALL DIMENSIONS SHOWN ARE FOR REFERENCE ONLY UNLESS OTHERWISE SPECIFIED.
- 6 FLAT CABLE SHALL BE FURNISHED BY CUSTOMER.
- 7 MATING FACE CONSISTS OF TWO ROWS OF TERMINALS ON 2.16 [.085] CENTERS. TERMINATING SIDE CONSISTS OF TERMINALS ON 2.54 [.100] CENTERS FOR AN EFFECTIVE 1.27 [.050] TERMINATION.
- 8 ALL DIMENSIONS SHOWN ARE MAXIMUM UNLESS OTHERWISE SPECIFIED.

THIS DRAWING IS A CONTROLLED DOCUMENT.		DWN K. TILLMAN/JTA 12-20-93	Tyco Electronics Corporation Harrisburg, PA 17105-3608	
DIMENSIONS: mm [INCHES]		CHK C. WHITT 9-1-94	NAME RECEPTACLE ASSEMBLY, 50 POSITION, SCREW LOCK, LOW PROFILE, CHAMP LATCH	
TOLERANCES UNLESS OTHERWISE SPECIFIED:		APVD J. TRAMMEL 9-8-94	RESTRICTED TO	
0 PLC ± -		PRODUCT SPEC 108-6076	SIZE A2	
1 PLC ± -		APPLICATION SPEC 114-6030	CAGE CODE 00779	
2 PLC ± -		WEIGHT -	DRAWING NO C=553603	
3 PLC ± -		SCALE 2:1		
4 PLC ± -		SHEET 1 of 1		
ANGLES ± -		REV J		
FINISH		CUSTOMER DRAWING		